

HORIZONTAL MAGNETIC LEVEL SWITCH

LT202 Flange Type – SQUARE FLANGE – FOR HIGH TEMPERATURE AVAILABLE

LT202 float-operated level switches are suitable for controlling liquid level at horizontal mounting. The float equipped with an extended arm moves a couple magnetic mechanism to actuate a microswitch to offer an ON-OFF contact for application. LT202 is available equipped with an extra fin to be able to work under high temperature environment.

Technical Data

Enclosure Housing: Weather proof IP65

Material: Wetted parts SS316 or SS304

Temperature Limits: Standard: -20°C to +150°C;
With fin for high temperature: -20°C to +200°C and
-20°C to +350°C available

Pressure Limits:

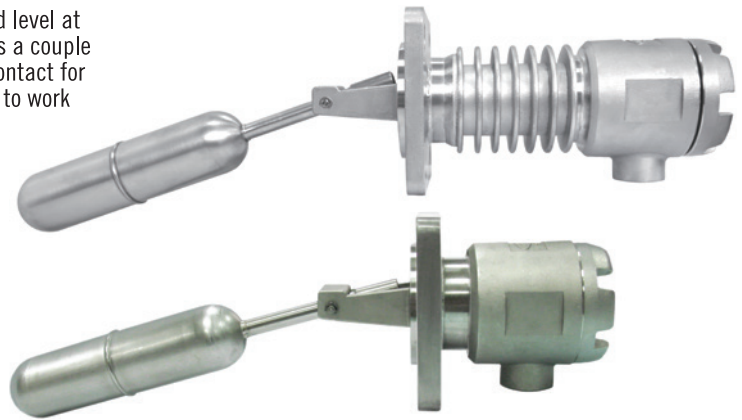
Without Test Device: 3.0 MPa (30 kg/cm²), option: up to 4.5 MPa;
With Test Device: 6 kg/cm²

Switch Function: Micro switch 1 x SPDT; 2 x SPDT option

Switch Rating: 3A/250VAC, 5A/125VAC, 4A/30VDC

Conduit Connection: ½”NPT female, option

Float Working Specific Gravity: ≥0.7
(option: less than 0.7 available on request)



Patent No.

M334951

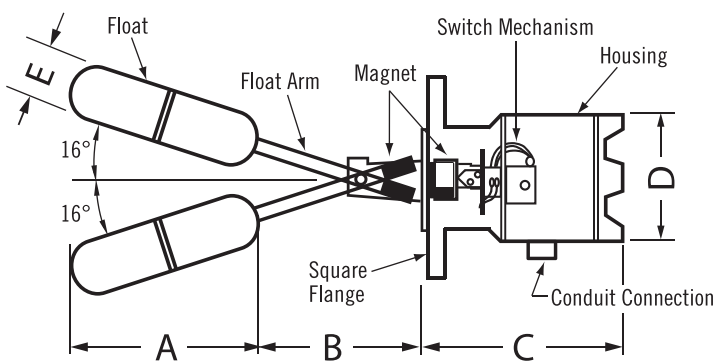
Approvals:



Dimensions-mm

•Standard Type•

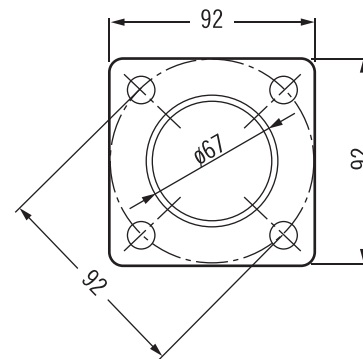
Temperature Limits: -20°C~+150°C only



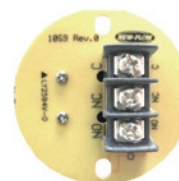
A	B	C	D	E
150	92	100 Approx.	64	40

NOTE.
1. Special dimensions on request.
2. Extension length for B is available.

SQUARE FLANGE



WIRE DRAWING

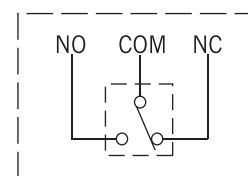


1 SPDT



2 SPDT

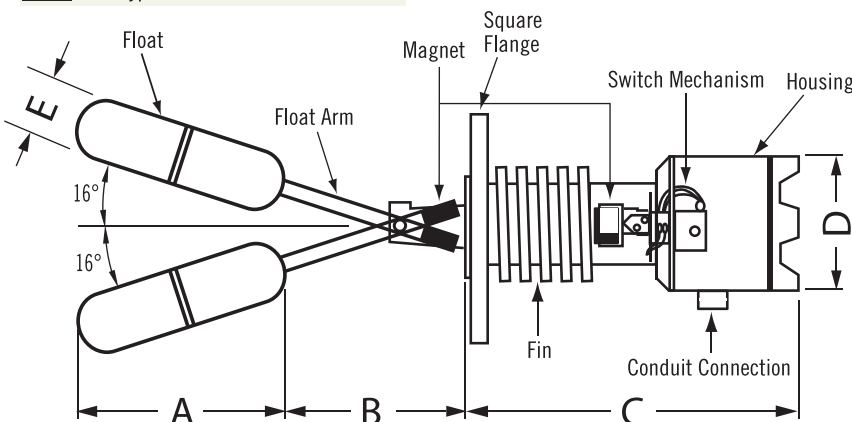
OPERATING SIGNAL



•With Fin for High Temperature•

Temperature Limits: optional -20°C~+200°C and -20°C~+350°C available

NOTE.: This type CANNOT add the test device.



A	B	C	D	E
150	92	170 Approx.	64	40

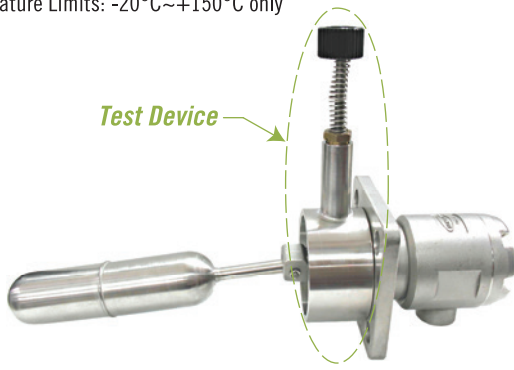
NOTE.
1. Special dimensions on request.
2. Extension length for B is available.

Added Test Device Accessories

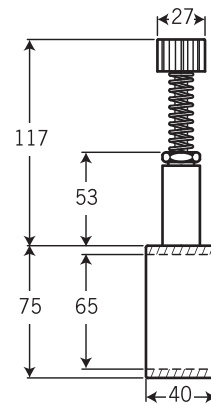
unit=mm (Tolerance: ±1.0mm)

• Test Device Type •

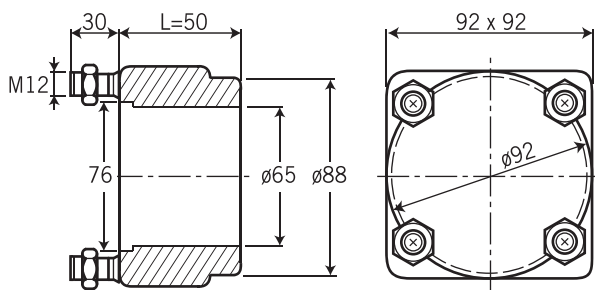
Temperature Limits: -20°C~+150°C only



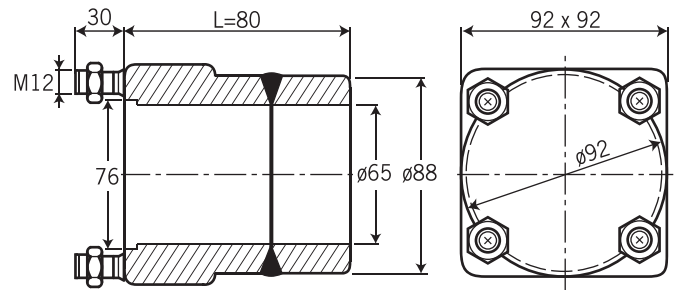
(A) Pipe With Standard Test Device



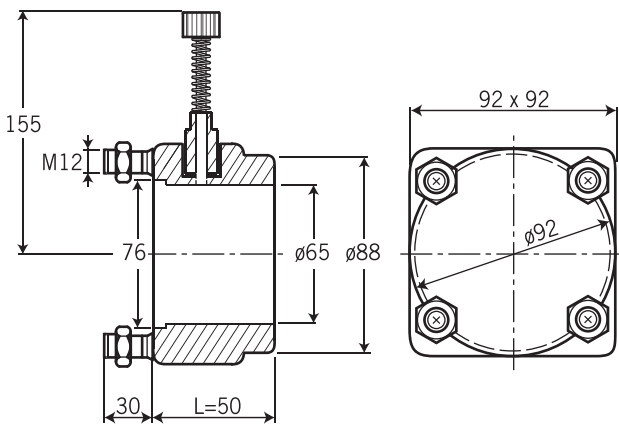
(B) Added Flange Device



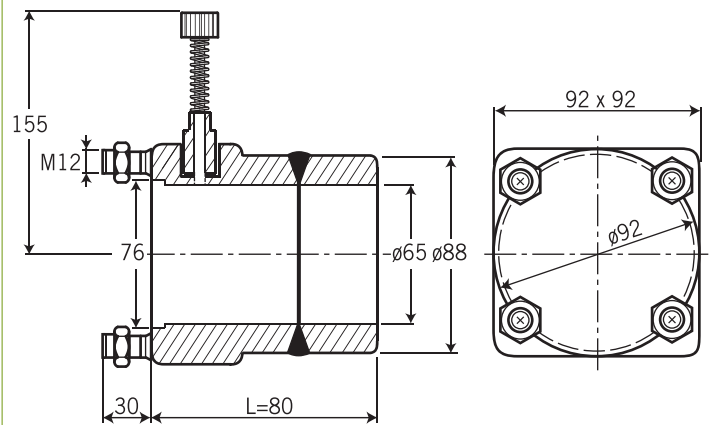
(C) Added Flange Device



(D) Added Flange with Test Device



(E) Added Flange with Test Device



Ordering Information

LT202	Code	Type						
	S	Standard type without test device	T	With Test Device	F	With Fin (CANNOT add test device)		
	Code	Square Flange Material						
		(1) SS316 (2) option						
	Code	Switch Function- Micro Switch						
	1	One switch, SPDT x 1	2	Two switch, SPDT x 2				
	Code	Added Device Accessories						
		A	B	C	D	E	O	Without test device
	Code	Max. Temperature Limit						
	A	-20°C to +150°C [for LT202-S (standard type) and LT202-T (with test device)]						
B	-20°C to +200°C [for LT202-F (with fin) only] (CANNOT add test device)							
C	-20°C to +350°C [for LT202-F (with fin) only] (CANNOT add test device)							
LT202							Complete Ordering Code	