

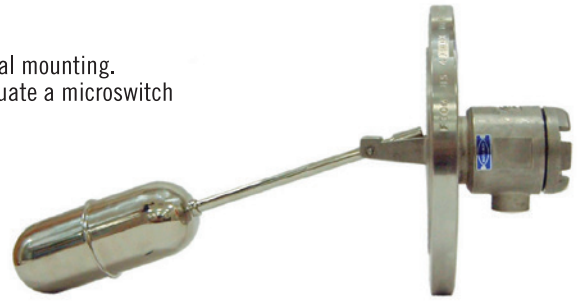
# HORIZONTAL MAGNETIC LEVEL SWITCH

## LT204 Flange Type

LT204 float-operated level switches are suitable for controlling liquid level at horizontal mounting. The float equipped with an extended arm moves a couple magnetic mechanism to actuate a microswitch to offer an ON-OFF contact for application.

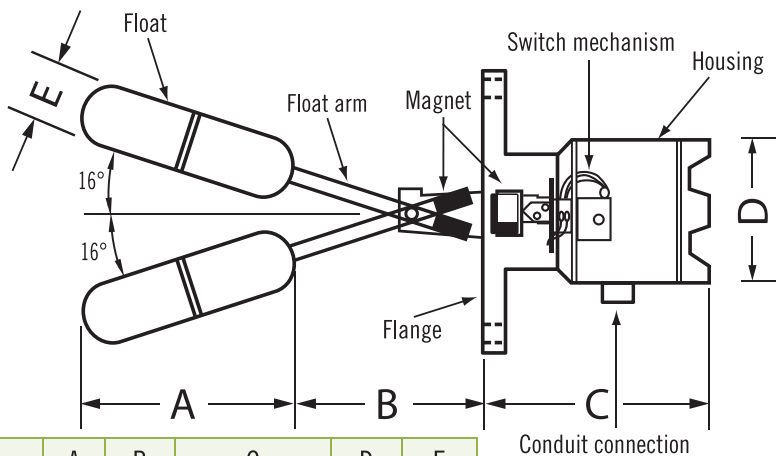
### Technical Data

- Enclosure housing:** Weather proof IP65
- Process connection:** 1½"~4" Flange type
- Flange rating:** JIS, ANSI, DIN available
- Material:** Wetted parts 316 stainless steel
- Temperature limits:** -20°C to +150°C
- Pressure limits:** 3.0 MPa (30 kg/cm<sup>2</sup>), option: up to 4.5 MPa
- Switch function:** Micro switch 1 x SPDT; 2 x SPDT option
- Switch rating:** 3A/250VAC, 5A/125VAC, 4A/30VDC
- Conduit connection:** ½"NPT female, option
- Float working specific gravity:** ≥0.7 (option: less than 0.7 available on request)



<b>Patent No.</b>	<b>Approvals:</b>
M334951	
Switches with UL & CSA Recognized and File No. E41515.	

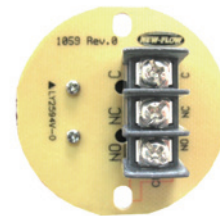
### Dimensions



	A	B	C	D	E
mm	150	92	100 Approx.	64	40

**NOTE.**  
 1. Special dimensions on request.  
 2. Extension length for B is available.

### Wire Drawing



1 SPDT



2 SPDT

### Ordering Information

LT204	Code	Process Connection Size
		(1) 1½" (2) 2" (3) 3" (4) 4"
	<b>Code</b>	<b>Process Connection Rating</b>
		(A) JIS 10K (B) JIS 20K (C) ANSI 150# (D) ANSI 300# (E) PN10 (F) PN25 (G) option
	<b>Code</b>	<b>Flange Material</b>
		(1) SS316 (2) SS304 (3) Option
	<b>Code</b>	<b>Switch Function- Micro Switch</b>
	1	One switch, SPDT x 1
	2	Two switch, SPDT x 2
<b>LT204</b>		<b>Complete Ordering Code</b>