

HORIZONTAL/VERTICAL MAGNETIC LEVEL SWITCH

LT206H/LT206V Flange Type – With Test Device

LT206 float-operated with test device level switches are suitable for controlling liquid level at horizontal mounting. The float equipped with an extended arm moves a couple magnetic mechanism to actuate a microswitch to offer an ON-OFF contact for application.

Technical Data

- Enclosure Housing:** Weather proof IP65
- Process Connection Size:** 2½"~4" Flange type
- Flange Rating:** JIS, ANSI, DIN available
- Material:** Flange– C.S, Stainless steel, option available;
Housing– ADC12(Aluminum); Float & Others– SS316
- Temperature Limits:** -25°C to 100°C
- Pressure Limits:** 0.3MPa
- Switch Function:** SPDT Micro switch
- Switch Rating:** 15A 125/250VAC or 480VAC
- Conduit Connection Size:** ¾" NPT female, for cable ø10mm
- Float Working Specific Gravity:** ≥0.7 (option: less than 0.7 available on request)



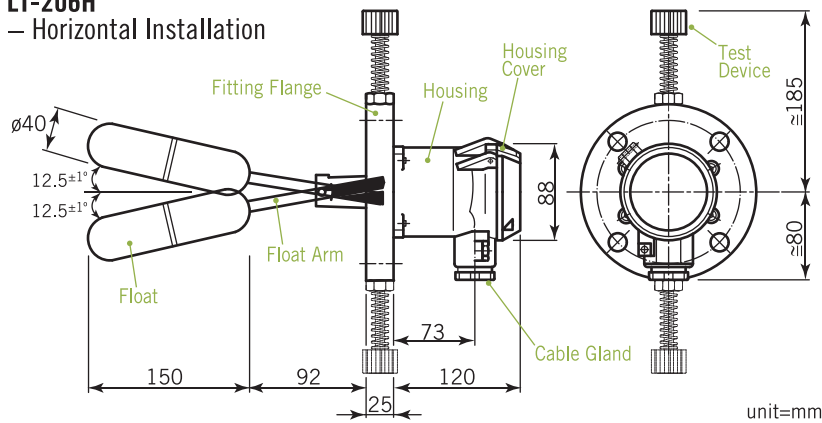
Patent No.
M334951

Approvals:



Dimensions

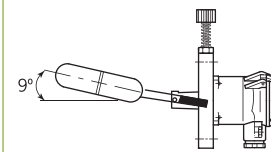
LT-206H – Horizontal Installation



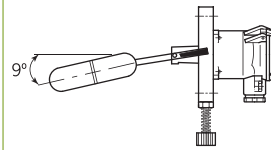
unit=mm

Switching Angle

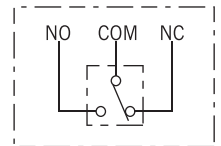
RISING LEVEL



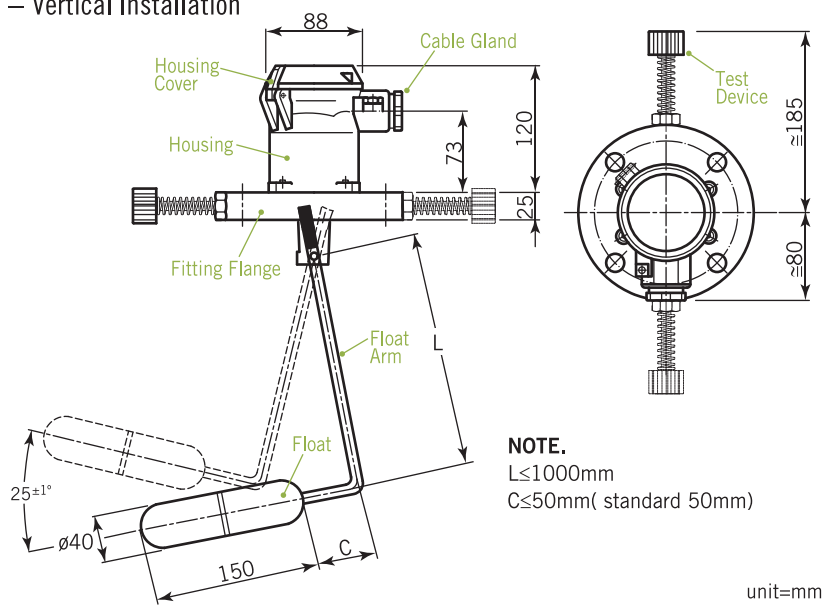
FALLING LEVEL



Operating Signal



LT-206V – Vertical Installation

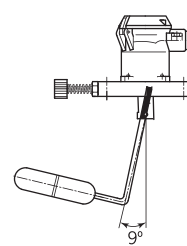


unit=mm

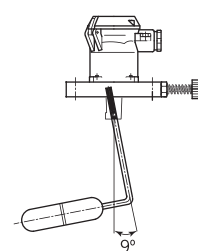
NOTE.
L≤1000mm
C≤50mm(standard 50mm)

Switching Angle

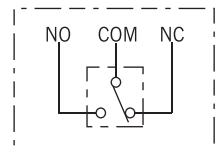
RISING LEVEL



FALLING LEVEL



Operating Signal



Ordering Information

LT206	Code	Model / Type
	H	Horizontal installation
	V	Vertical installation
	Code	Process Connection Size
	2	2½"
	3	3"
	4	4"
	Code	Process Connection Rating
	A	JIS 10K
	B	ANSI 150#
	C	PN10
	D	option
	Code	Flange Material
		(1) SS316 (2) SS304 (3) C.S (4) option

LT206					Complete ordering code
-------	--	--	--	--	------------------------