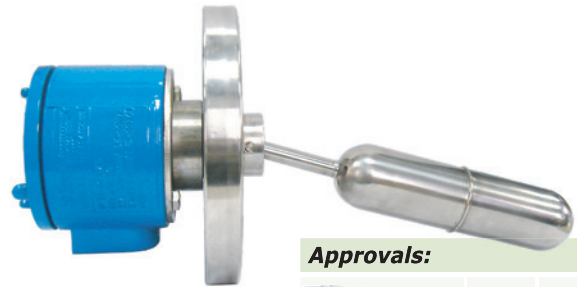


HORIZONTAL MAGNETIC LEVEL SWITCH EXPLOSION PROOF LXT204 Flange Type

Technical Data

Enclosure housing: Explosion proof— EEx d IIC-T6, II 2 GD; IP66
Process connection: 1½"~4" Flange type
Flange rating: JIS, ANSI, DIN available
Material: Wetted parts 316 stainless steel
Pressure limits: 3.0 MPa (30 kg/cm²), option: up to 4.5 MPa
Float working specific gravity: ≥0.7
 (option: less than 0.7 available on request)
Temperature limits: -20°C to +150°C
Switch function: Micro switch 1 x SPDT; 2 x SPDT option
Switch rating: 3A/250VAC, 5A/125VAC, 4A/30VDC
Conduit connection: ½"NPT, ¾"NPT female, option available



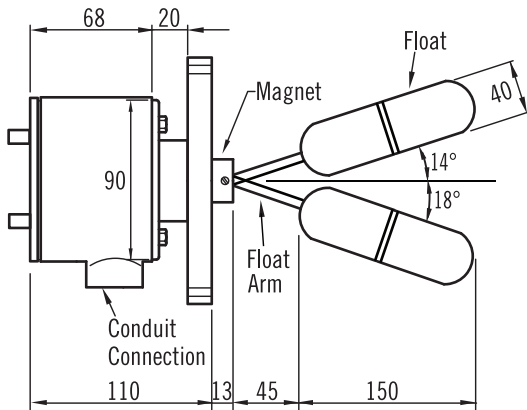
Approvals:



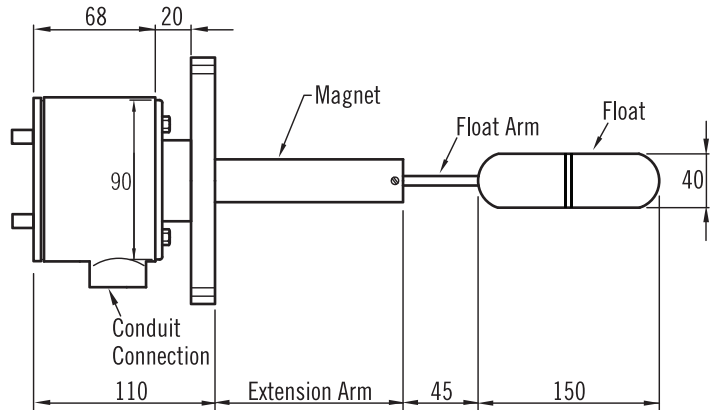
UL Switches with UL & CSA Recognized and File No. E41515.

Dimensions

Standard Type



Extension Arm Type

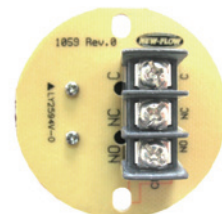


*Option: Extension arm specify length available (standard 150mm). unit=mm

Ordering Information

LXT204	Code	Type		
	S	Standard type	E	Extension Arm Type
	Code	Process Connection Size		
		(1) 1½" (2) 2" (3) 3" (4) 4" (5) option (please specify size)		
	Code	Process Connection Rating		
		(A) JIS 10K (B) JIS 20K (C) ANSI 150# (D) ANSI 300# (E) PN16 (F) PN25 (G) option		
	Code	Conduit Connection Size		
		(1) ½"NPT (2) ¾"NPT (3) Option		
	Code	Flange Material		
		(1) SS316 (2) SS304 (3) Option		
Code	Switch Function- Micro Switch			
1	One Switch, SPDT x 1			
2	Two Switch, SPDT x 2			
Complete Ordering Code				

Wire Drawing



1 SPDT



2 SPDT