

HORIZONTAL MAGNETIC LEVEL SWITCH EXPLOSION PROOF LXT207



LXT207 float-operated with test device level switches are suitable for controlling liquid level at horizontal mounting. The float equipped with an extended arm moves a couple magnetic mechanism to actuate a micro-switch to offer an ON-OFF contact for application.

Technical Data

- Enclosure Housing:** Explosion proof; IP68
- Process Connection:** 1½"~4" Flange type, or 1½"~3" Thread type
- Flange Rating:** JIS, ANSI, DIN available
- Thread Rating:** NPT, option available
- Material:** Wetted parts & Housing are in 316 stainless steel
- Temperature Limits:**
 -20°C~+150°C: LXT-207-1, LXT-207-3, LXT-207-5
 -20°C~+200°C or -20°C~+350°C: LXT-207-2, LXT-207-4
- Pressure Limits:** 3.0 MPa (30 kg/cm²), option: up to 4.5 MPa
- Switch Function:** Micro switch 1 x SPDT or 2 x SPDT available
- Switch Rating:** 3A/250VAC, 5A/125VAC, 4A/30VDC
- Conduit Connection Size:** ½"NPT female, option available
- Float Working Specific Gravity:** ≥0.7 (option: less than 0.7 available on request)

Approvals:

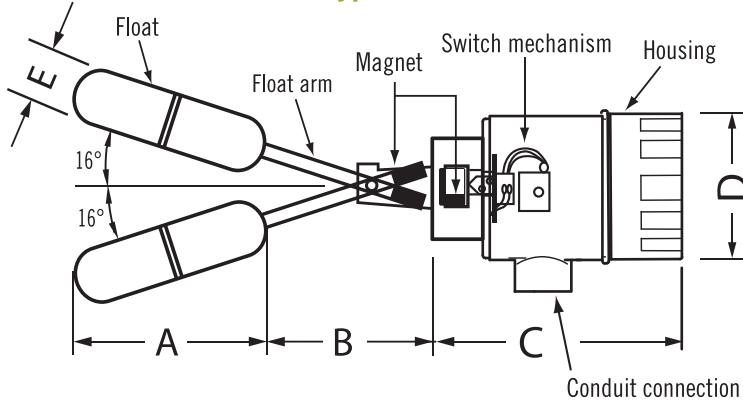


Patent No.

M334951

Dimensions- mm

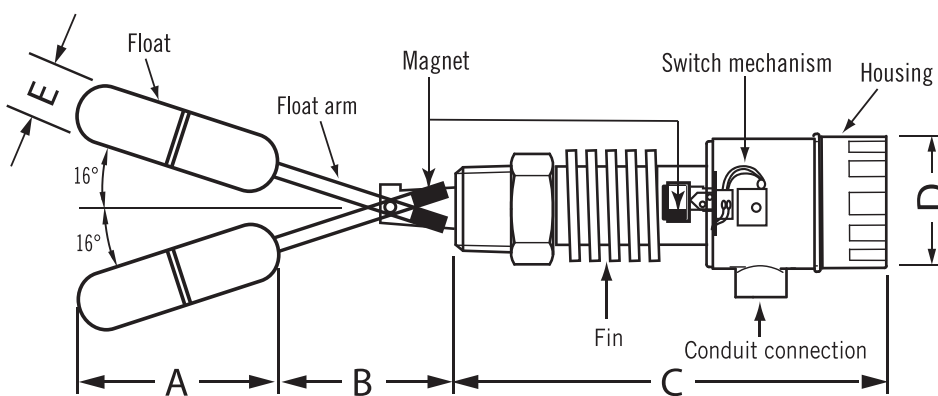
Model: LXT207-1 (Thread Type)



	A	B	C	D	E
mm	150	92	115	64	40

NOTE.
 1. Special dimensions on request.
 2. Extension length for B is available.

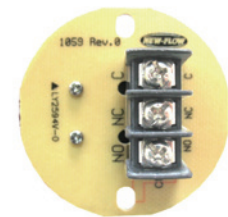
Model: LXT207-2 (Thread Type c/w Fin)



	A	B	C	D	E
mm	150	92	185 Approx.	64	40

NOTE.
 1. Special dimensions on request.
 2. Extension length for B is available.

Wire Drawing



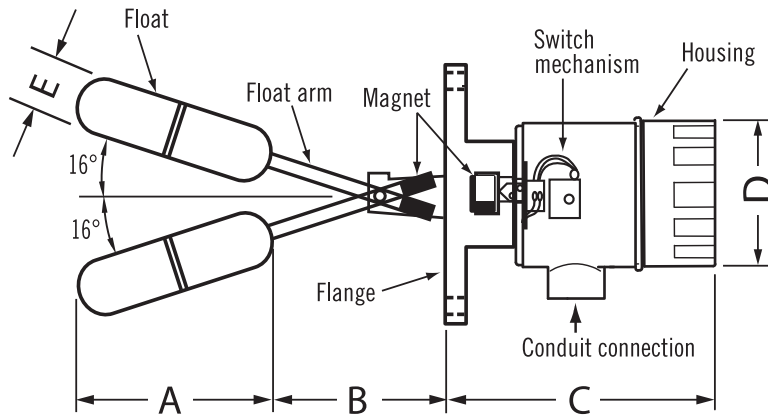
1 SPDT



2 SPDT

Dimensions- mm

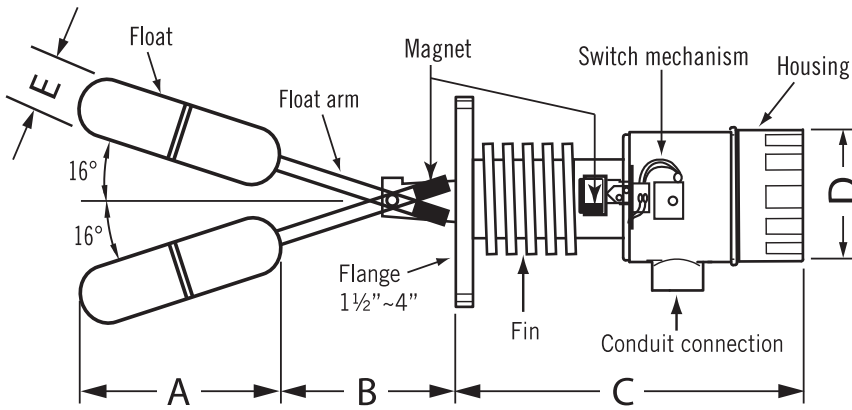
Model: LXT207-3 (Flange Type)



A	B	C	D	E
150	92	115 Approx.	64	40

NOTE.
 1. Special dimensions on request.
 2. Extension length for B is available.

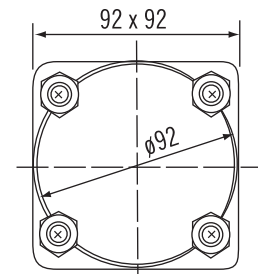
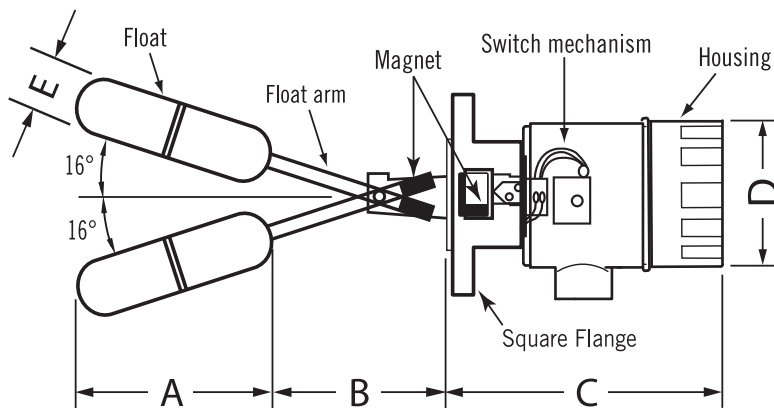
Model: LXT207-4 (Flange Type c/w Fin)



A	B	C	D	E
150	92	185 Approx.	64	40

NOTE.
 1. Special dimensions on request.
 2. Extension length for B is available.

Model: LXT207-5 (Square Flange Type)



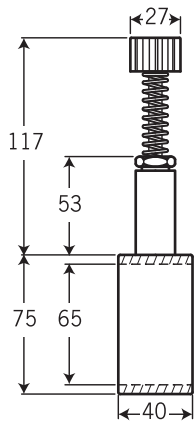
Square Flange

A	B	C	D	E
150	92	115 Approx.	64	40

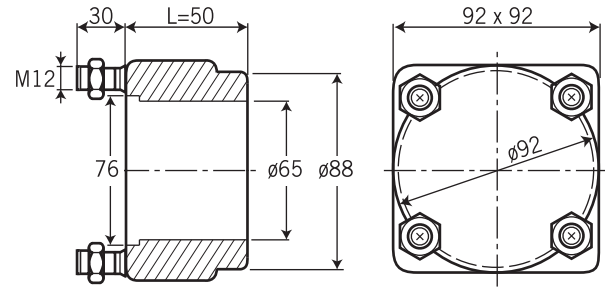
NOTE.
 1. Special dimensions on request.
 2. Extension length for B is available.

Added Device Accessories – only for LXT207-5 (Square Flange Type)

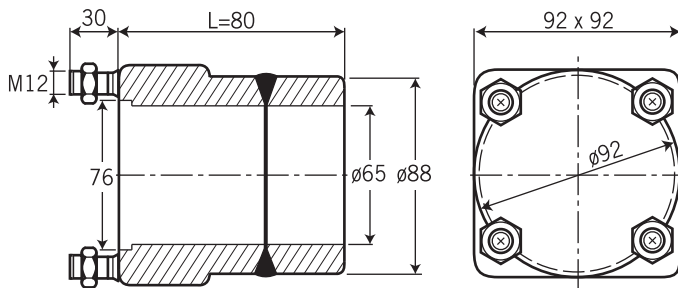
(A) Pipe With Standard Test Device



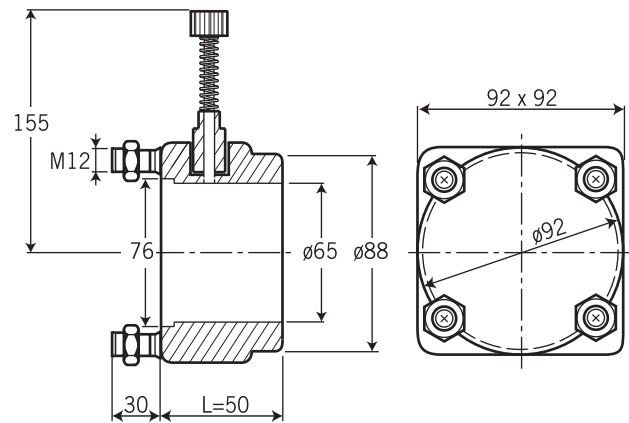
(B) Added Flange Device



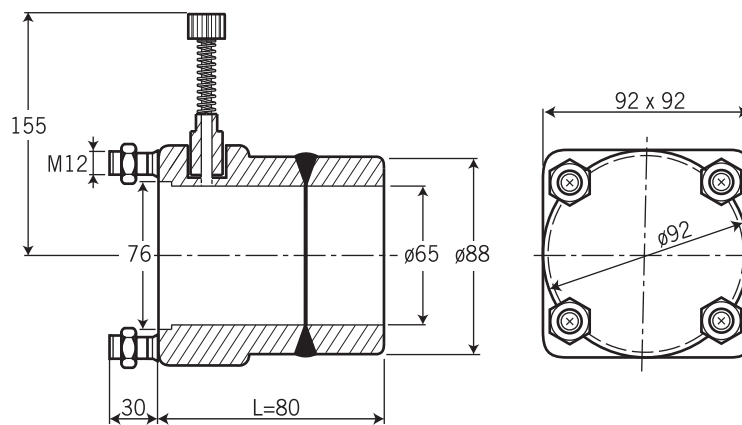
(C) Added Flange Device



(D) Added Flange With Test Device



(E) Added Flange With Test Device



unit=mm
(Tolerance: ±1.0mm)

Ordering Information

LXT207	Code	Type
	1	Thread Type
	2	Thread Type c/w Fin
	3	Flange Type
	4	Flange Type c/w Fin
	5	Square Flange Type
	Code	Process Connection Size
		(1) 1½" (2) 2" (3) 2½" (4) 3" (5) 4" (6) Square Flange (only for LXT207-5)
	Code	Process Connection Rating
	F	(A) JIS 10K (B) JIS 20K (C) ANSI 150# (D) ANSI 300# (E) PN10 (F) PN25 (G) Square Flange (only for LXT207-5)
	T	(H) NPT (Thread type only) (O) option
	Code	Wetted Material
		(1) SS316 (2) SS304 (3) option
	Code	Conduit Connection Size
		(1) ½"NPT (2) ¾"NPT (3) option
	Code	Added Device Accessories (only select for LXT207-5)
	S	Standard Square Flange type, without test device
	A	Pipe with standard test device
	B	Added flange device (L=50mm)
	C	Added flange device (L=80mm)
	D	Added flange with test device (L=50mm)
	E	Added flange with test device (L=80mm)
	N	Without (for LXT207-1~4)
	Code	Switch Function- Micro Switch
	1	One switch, SPDT x 1
	2	Two switch, SPDT x 2
	Code	Explosion Type
	A	Taiwan Explosion Proof Certification: Ex d IIB + H ₂ T6 Gb
	X	Europe Union ATEX Certification: II 2 G Ex db IIB + H ₂ T6 Gb
	Code	Max. Temperature Limit
	A	-20°C to +150°C (only for LXT-207-1, LXT-207-3, LXT-207-5)
	B	-20°C to +200°C (only for LXT-207-2, LXT-207-4)
	C	-20°C to +350°C (only for LXT-207-2, LXT-207-4)

LXT207															Complete ordering code
--------	--	--	--	--	--	--	--	--	--	--	--	--	--	--	-------------------------------