

2-WAY MANIFOLD VALVE

MD2-RM – Remote Mount Type

Technical Data

Body Material: SS316 (standard)

Valve Tip to Seat: Metal to Metal

Process Connection: ½" NPT Male

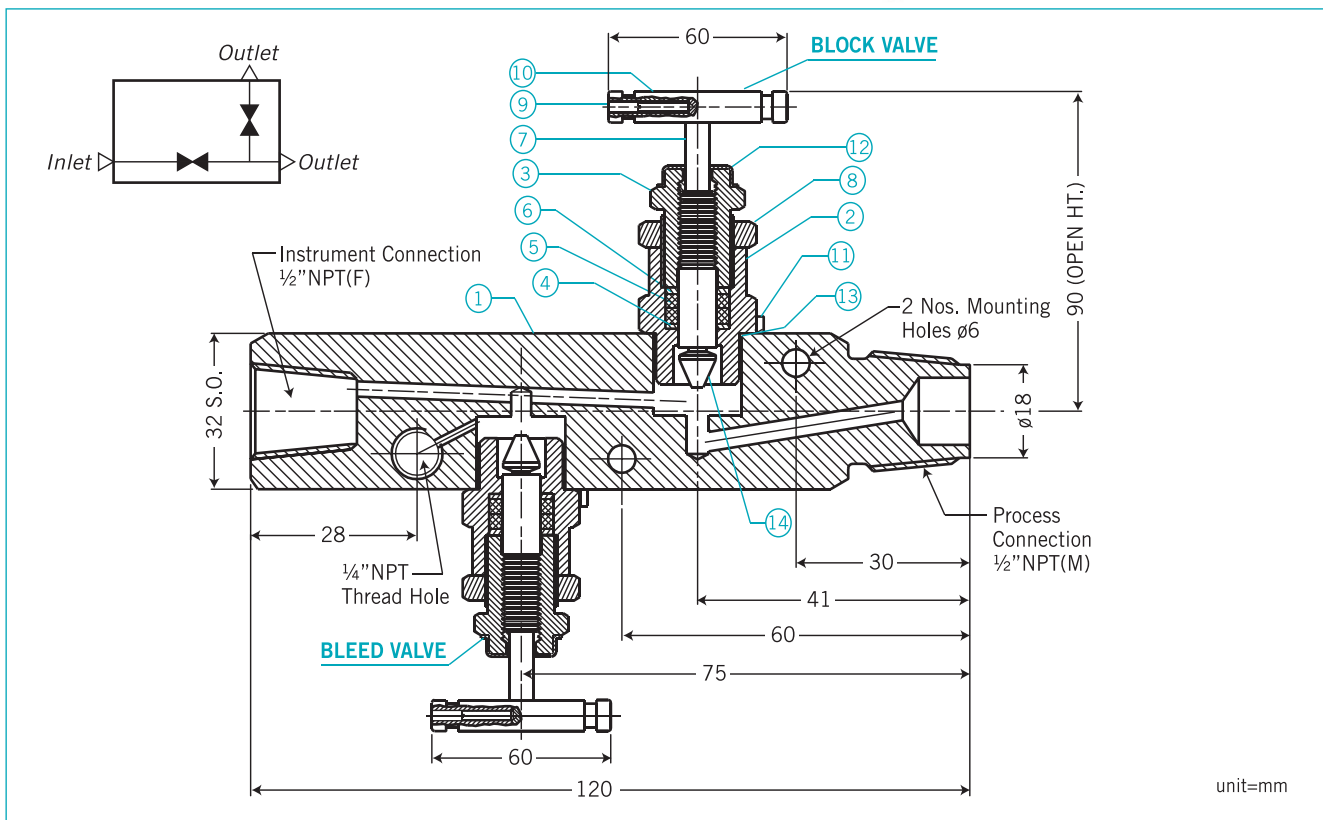
Instrument Connection: ½" NPT Female

Bleed Connection: ¼" NPT Female

- Consists of one bleed valve and one block valve.
- Allows for easy block, bleed and calibration of static pressure, transmitter or gauge.
- Working pressure and working temperature refer to Pressure/Temperature Table.



Dimensions



Parts List

Item	Descriptoin	Material	Qty
1	Body	SS316	1
2	Gland Body	SS316	2
3	Gland Retainer	SS316	2
4	Washer	SS316	2
5	Packing	PTFE / Graphoil	4
6	Packing Washer	SS316	2
7	Spindle	SS316 Stellite	2
8	Lock Nut	SS316	2
9	Setting Screw	Steel	2
10	Handle	SS304/Alu. Powder Coated	2
11	Lock Pin	SS316/SS304	2
12	Dust Cap	Plastic LD.	2
13	Washer	SS316	2
14	Vee Tip	17-4 PH	1

Features / Benefits

Forged One Piece Body Construction (No Welding): For High Strength.

Non Rotating Vee :

- (a) Rolled and plated stem threads for extra strength.
- (b) Screwed bonnet with safety lock pin prevents accidental valve disassembly.
- (c) Adjustable packing below threads.

Safety Bonnet Lock: Prevents accidental disassembly.

Stem Thread Rolled & Hard Plated: Provides additional strength & maximum service life.

Mirror Finish Stem, Burnished to a 16RMS: Extends packing life and smoothens stem operation.

Adjustable Packing Below Stem Threads: Prevents stem lubrication washout and isolates threads from process contamination.

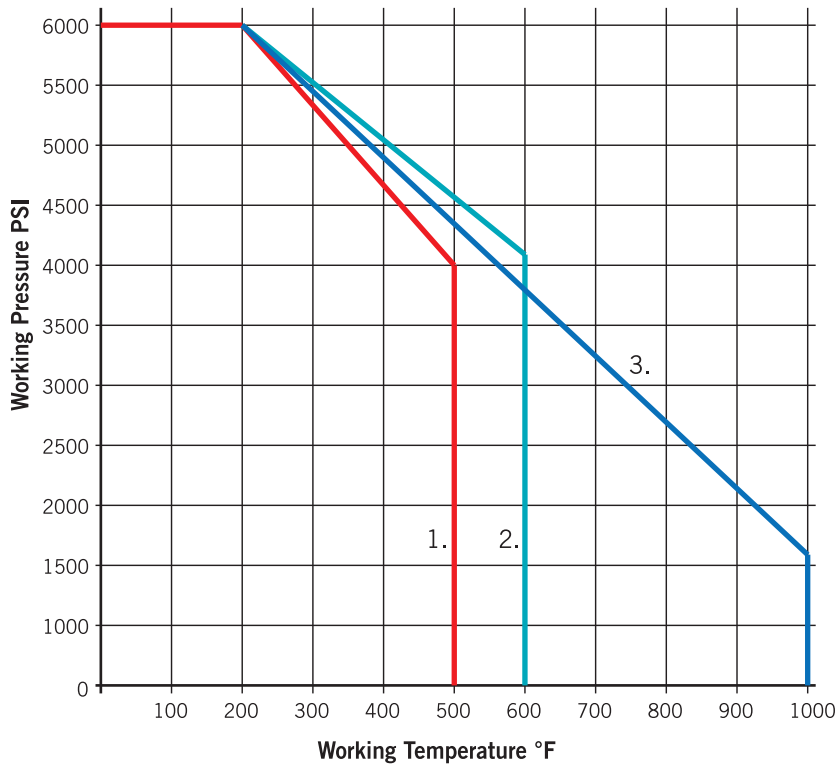
Safety Back Seating: Provides secondary stem seal in full open position, prevents stem blowout.

Stainless Steel Handle: For hand actuation.

Body to Bonnet Seal: Metal to Metal constant compression, isoalted bonnet threads from system fluids and eliminates possible tensile.

Dust Cap: Prevents contamination washout out of bonnet assembly.

Pressure / Temperature Table



- 1. Teflon Packing
- 2. Graphoil Packing
- 3. SS316 Graphoil Packing

Pressure Rating

Temp.	C.S.	S.S.	Orifice	Cv
77°F	6000 psi	6000 psi	4.8 mm	0.52 Max
500°F	4000 psi	4000 psi	4.8 mm	0.52 Max
1000°F	1500 psi	1500 psi	4.8 mm	0.52 Max

Ordering Information

↓	MD2	Code	Body Material	
	SS	SS316	0	Option
	↓	Code	Process Connection	
	8	½" NPT(M)		
↓	Code	Mounting Type		
RM	Remote Mount			
↓	MD2			Complete Ordering Code