

# 3-WAY MANIFOLD VALVE

## MD3-DM – Pipe to Flange Mount Type

### Technical Data

- Designed for D/P Transmitter Directing Mounting.
- Consists of one equalizer valve, two block valve, and two vent holes (1/4" NPT female).
- Process connection hole center to center is 54mm.

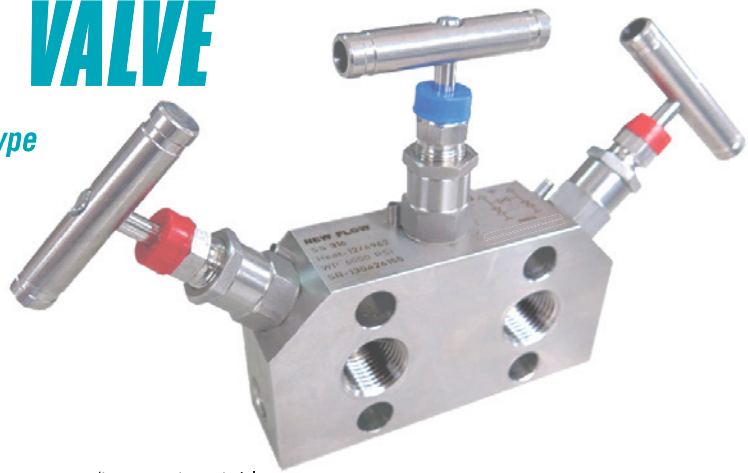
**Body Material:** SS316 (standard)

**Valve Tip to Seat:** Metal to Metal

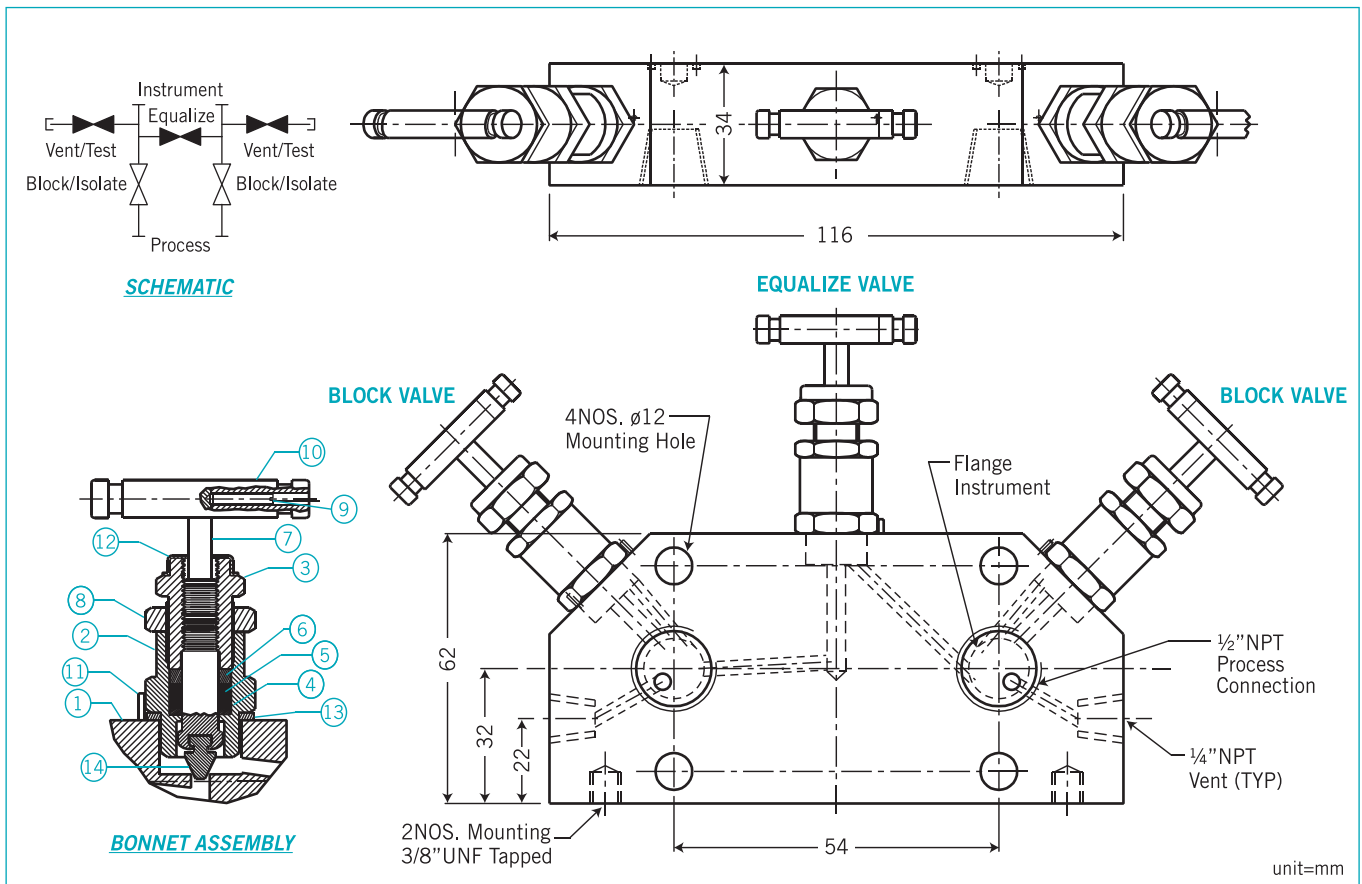
**Process Connection:** 1/2" NPT Female

**Instrument Connection:** Plain Flange

**Working Pressure & Working Temperature:** Please refer to the pressure/temperature table



### Dimensions



### Parts List

Item	Description	Material	Qty
1	Body	SS316	1
2	Bonnet	SS316	2
3	Gland Retainer	SS316	2
4	Washer	SS316	2
5	Packing	PTFE / Graphoil	2
6	Packing Washer	SS316	2
7	Spindle	SS316	2
8	Lock Nut	SS316	2
9	Grub Screw	Steel	2
10	Handle	SS316	2
11	Lock Pin	SS316	2
12	Dust Cap	Plastic LD.	2
13	Washer	SS316	2
14	Non Rotating Vee Tip	17-4 PH (A564-630)	1

### Features / Benefits

**Forged One Piece Body Construction (No Welding):** For High Strength.

**Non Rotating Vee :**

(a) Rolled and plated stem threads for extra strength.

(b) Screwed bonnet with safety lock pin prevents accidental valve disassembly.

(c) Adjustable packing below threads.

**Safety Bonnet Lock:** Prevents accidental disassembly.

**Stem Thread Rolled & Hard Plated:** Provides additional strength & maximum service life.

**Mirror Finish Stem, Burnished to a 16RMS:** Extends packing life and smoothens stem operation.

**Adjustable Packing Below Stem Threads:** Prevents stem lubrication washout and isolates threads from process contamination.

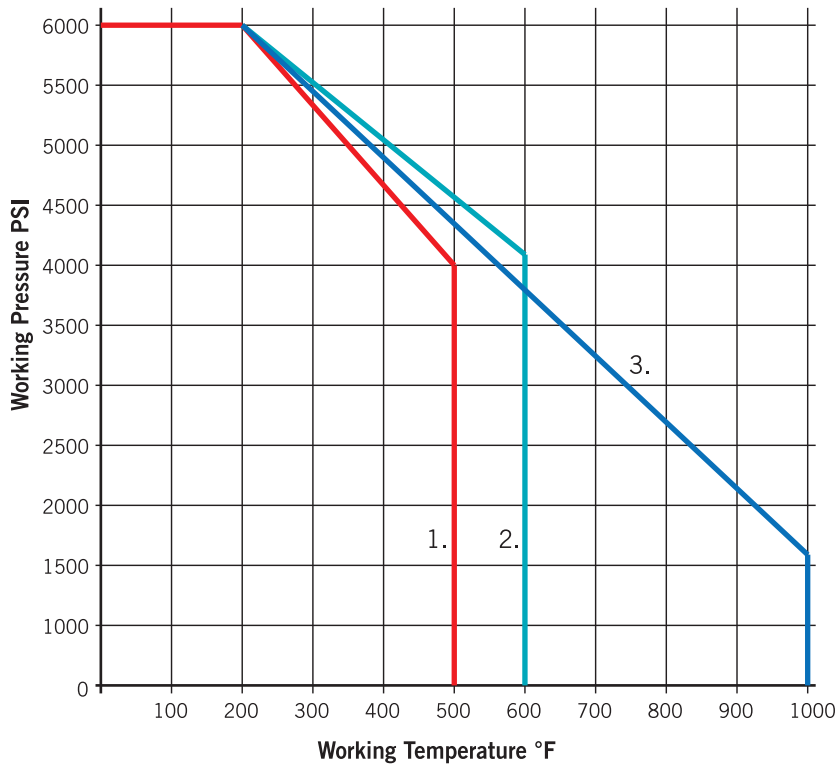
**Safety Back Seating:** Provides secondary stem seal in full open position, prevents stem blowout.

**Stainless Steel Handle:** For hand actuation.

**Body to Bonnet Seal:** Metal to Metal constant compression, isolated bonnet threads from system fluids and eliminates possible tensile.

**Dust Cap:** Prevents contamination washout out of bonnet assembly.

## Pressure / Temperature Table



- 1. Teflon Packing
- 2. Graphoil Packing
- 3. SS316 Graphoil Packing

### Pressure Rating

Temp.	C.S.	S.S.	Orifice	Cv
77°F	6000 psi	6000 psi	4.8 mm	0.52 Max
500°F	4000 psi	4000 psi	4.8 mm	0.52 Max
1000°F	1500 psi	1500 psi	4.8 mm	0.52 Max

WWW.NEW-FLOW.COM • TEL: 886-7-813500 • FAX: 886-7-8225588 • Email: info@new-flow.com

## Ordering Information

↓	<b>MD3</b>	<b>Code</b>	<b>Body Material</b>	
		SS	SS316	0 Option
	↓	<b>Code</b>	<b>Process Connection</b>	
		8	½"NPT(F)	
↓	<b>Code</b>	<b>Mounting Type</b>		
	DM	Pipe to Flange		
↓	<b>MD3</b>			<b>Complete Ordering Code</b>