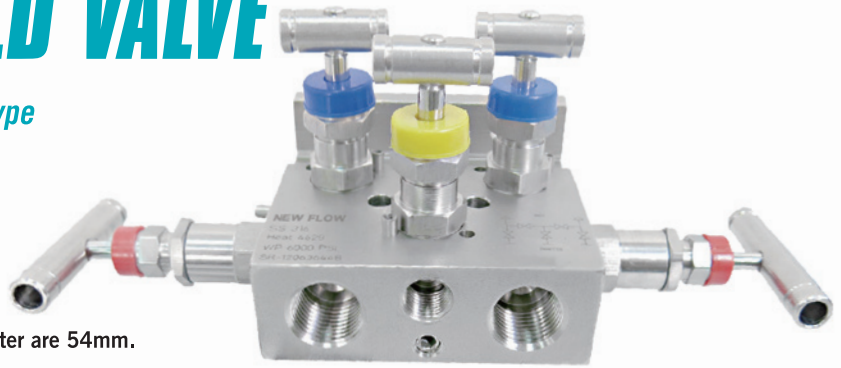


5-WAY MANIFOLD VALVE

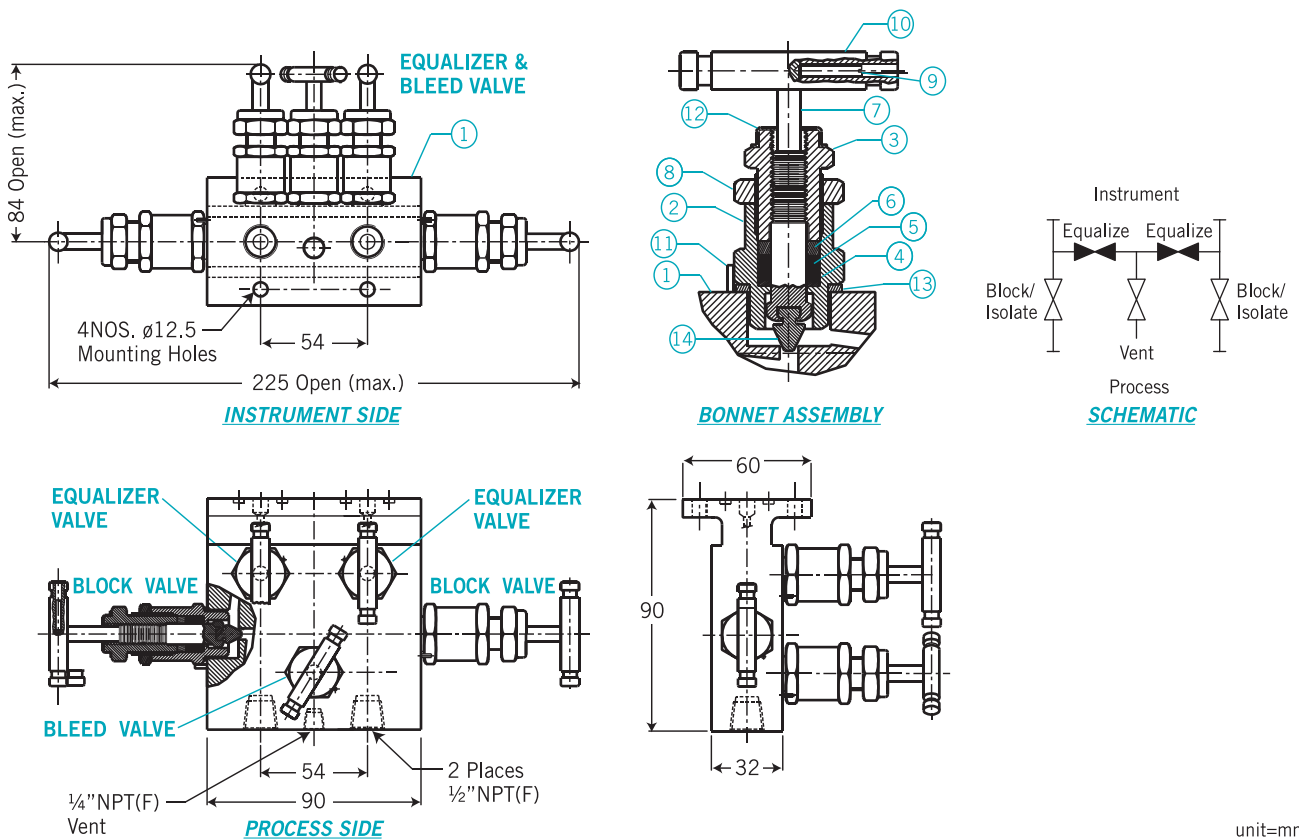
MD5-T – Pipe to Square Flange Type

Technical Data

- Designed for D/P transmitter, thread connection.
 - Consists of two block valves, two equalizer valves and one bleed valve as well as one vent hole 1/4"NPT female.
 - Process connection 1/2"NPT female, and center to center are 54mm.
- Body Material:** SS316 (standard)
Valve Tip to Seat: Metal to Metal
Process Connection: 1/2"NPT Female
Instrument Connection: 1/2"NPT Female & Square Flange
Working Pressure & Working Temperature: Please refer to the pressure/temperature table



Dimensions



unit=mm

Parts List

Item	Description	Material	Qty
1	Body	SS316	1
2	Bonnet	SS316	5
3	Gland Retainer	SS316	5
4	Washer	SS316	5
5	Packing	PTFE / Graphoil	5
6	Packing Washer	SS316	5
7	Spindle	SS316	5
8	Lock Nut	SS316	5
9	Grub Screw	Steel	5
10	Handle	SS316	5
11	Lock Pin	SS316	5
12	Dust Cap	Plastic LD.	5
13	Washer	SS316	5
14	Non Rotating Vee Tip	A564-630	5

Features / Benefits

Forged One Piece Body Construction (No Welding): For High Strength.

Non Rotating Vee :

(a) Rolled and plated stem threads for extra strength.

(b) Screwed bonnet with safety lock pin prevents accidental valve disassembly.

(c) Adjustable packing below threads.

Safety Bonnet Lock: Prevents accidental disassembly.

Stem Thread Rolled & Hard Plated: Provides additional strength & maximum service life.

Mirror Finish Stem, Burnished to a 16RMS: Extends packing life and smoothens stem operation.

Adjustable Packing Below Stem Threads: Prevents stem lubrication washout and isolates threads from process contamination.

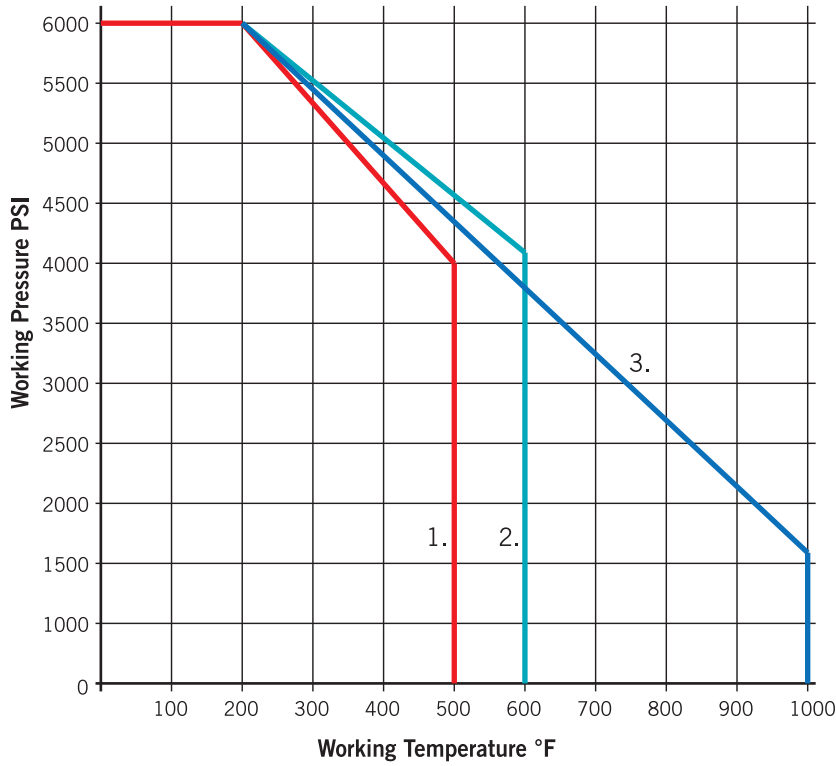
Safety Back Seating: Provides secondary stem seal in full open position, prevents stem blowout.

Stainless Steel Handle: For hand actuation.

Body to Bonnet Seal: Metal to Metal constant compression, isolated bonnet threads from system fluids and eliminates possible tensile.

Dust Cap: Prevents contamination washout out of bonnet assembly.

Pressure / Temperature Table



- 1. Teflon Packing
- 2. Graphoil Packing
- 3. SS316 Graphoil Packing

Pressure Rating

Temp.	C.S.	S.S.	Orifice	Cv
77°F	6000 psi	6000 psi	4.8 mm	0.52 Max
500°F	4000 psi	4000 psi	4.8 mm	0.52 Max
1000°F	1500 psi	1500 psi	4.8 mm	0.52 Max

Ordering Information

↓	MD5	Code	Body Material	
	↓	SS	SS316	0 Option
	↓	Code	Process Connection	
	↓	8	½" NPT(F)	
↓	Code	Mounting Type		
↓	T	Pipe to Square Flange		
↓	MD5			
				Complete Ordering Code