

# METAL TUBE MINI FLOW METER MF100E

## Technical Data

MF100E for mini low flow of gas

**Material:** 316 stainless steel for case and body.

**Indication:** via magnetic coupling (no seals)

**Flow rate:** 8~150 NL/H

**Working Temperature:**

Combine without electronic parts: -40°C~+180°C

**Working Pressure:** Standard 100 kg/cm<sup>2</sup>;

other options upon request

**Connection size:** 1/4" NPT or BSP available

**Protection Class:** IP66

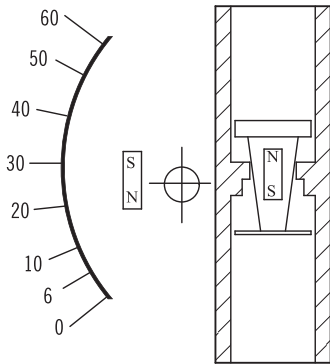
**Accuracy:** ± 5% FS



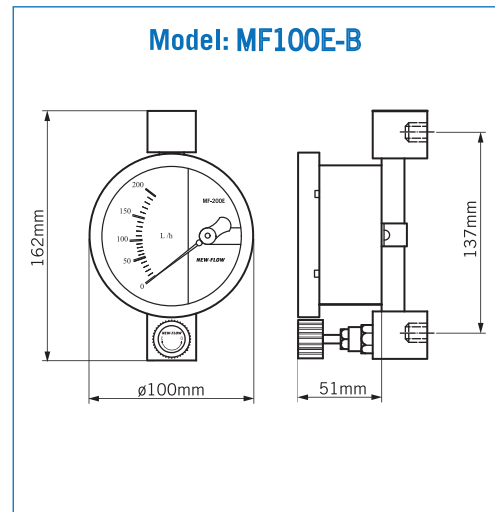
Approvals:



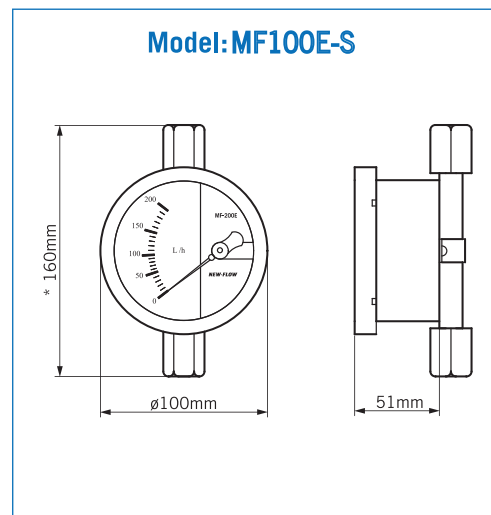
## Principle



## Dimensions



**MF100E-B**  
Basic Model:  
Rear connection + needle valve



**MF100E-S**  
Basic Model:  
Thread connection

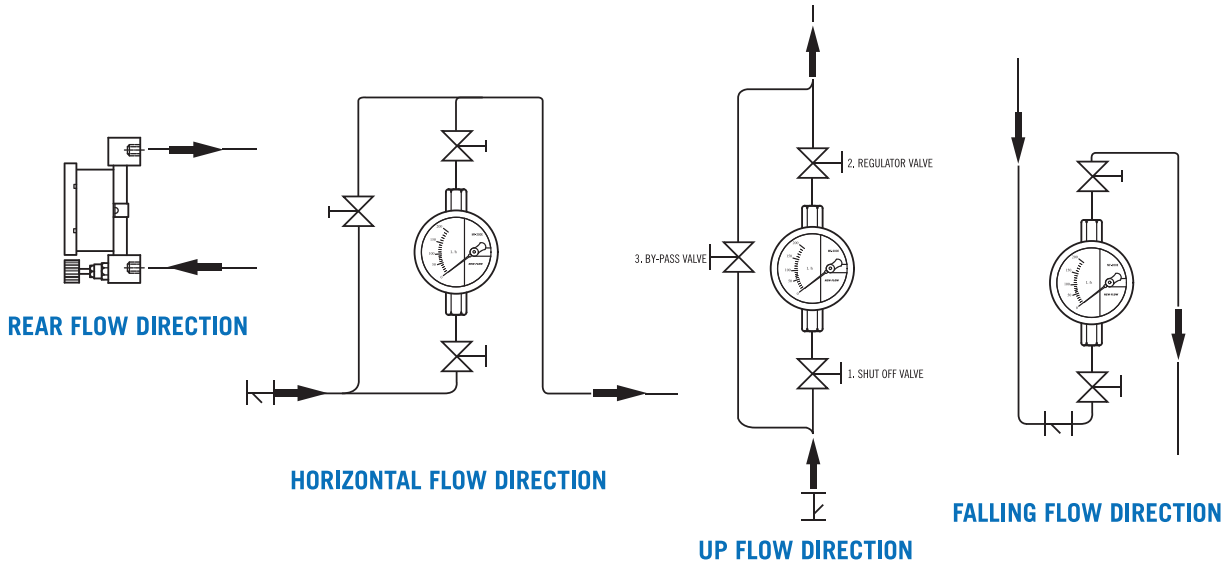
## Standard Scales

Tube	NL/H Air 0°C 1.013bar	Accuracy
MF1001	8~40NL/H	±5% F.S
MF1002	10~70NL/H	±5% F.S
MF1003	15~90NL/H	±5% F.S
MF1004	15~150NL/H	±5% F.S

### NOTE.

Performance Technical Data are effective with date of issue and are subject to change without prior notice.

## Installation



**SPECIAL NOTE**

No minimum length requirement for straight pipe.

## Ordering Information

MF100E	Code	Connection	Code	Connection size																																														
	S	Thread connection	4B	1/4" BSP (Female)																																														
	B	Rear connection with needle valve	4N	1/4" NPT (Female)																																														
	<table border="1"> <thead> <tr> <th>Code</th> <th>Type</th> </tr> </thead> <tbody> <tr> <td>G</td> <td>Indicating only</td> </tr> <tr> <td colspan="2"> <table border="1"> <thead> <tr> <th>Code</th> <th>Alarm</th> </tr> </thead> <tbody> <tr> <td>0</td> <td>Without alarm switch</td> </tr> <tr> <td colspan="2"> <table border="1"> <thead> <tr> <th>Code</th> <th>Body material</th> </tr> </thead> <tbody> <tr> <td>A</td> <td>SS316</td> </tr> <tr> <td colspan="2"> <table border="1"> <thead> <tr> <th>Code</th> <th>Float &amp; Wetted part material</th> </tr> </thead> <tbody> <tr> <td>A</td> <td>SS316</td> </tr> <tr> <td colspan="2"> <table border="1"> <thead> <tr> <th>Code</th> <th>Connection rating</th> </tr> </thead> <tbody> <tr> <td>0</td> <td>Thread connection</td> </tr> </tbody> </table> </td> </tr> </tbody> </table> </td> </tr> </tbody> </table> </td> <td colspan="2"> <table border="1"> <thead> <tr> <th>Code</th> <th>Protection Class</th> </tr> </thead> <tbody> <tr> <td>IP</td> <td>IP66</td> </tr> <tr> <td colspan="2"> <table border="1"> <thead> <tr> <th>Code</th> <th>Fluid</th> </tr> </thead> <tbody> <tr> <td>G</td> <td>Gas</td> </tr> <tr> <td colspan="2"> <table border="1"> <thead> <tr> <th>Code</th> <th>Range</th> </tr> </thead> <tbody> <tr> <td>S</td> <td>Standard range</td> </tr> <tr> <td colspan="2">Please directly fill out the flow range in the order code.</td> </tr> </tbody> </table> </td> </tr> </tbody> </table> </td> </tr> </tbody> </table> </td></tr></tbody></table></td></tr></tbody></table>		Code	Type	G	Indicating only	<table border="1"> <thead> <tr> <th>Code</th> <th>Alarm</th> </tr> </thead> <tbody> <tr> <td>0</td> <td>Without alarm switch</td> </tr> <tr> <td colspan="2"> <table border="1"> <thead> <tr> <th>Code</th> <th>Body material</th> </tr> </thead> <tbody> <tr> <td>A</td> <td>SS316</td> </tr> <tr> <td colspan="2"> <table border="1"> <thead> <tr> <th>Code</th> <th>Float &amp; Wetted part material</th> </tr> </thead> <tbody> <tr> <td>A</td> <td>SS316</td> </tr> <tr> <td colspan="2"> <table border="1"> <thead> <tr> <th>Code</th> <th>Connection rating</th> </tr> </thead> <tbody> <tr> <td>0</td> <td>Thread connection</td> </tr> </tbody> </table> </td> </tr> </tbody> </table> </td> </tr> </tbody> </table> </td> <td colspan="2"> <table border="1"> <thead> <tr> <th>Code</th> <th>Protection Class</th> </tr> </thead> <tbody> <tr> <td>IP</td> <td>IP66</td> </tr> <tr> <td colspan="2"> <table border="1"> <thead> <tr> <th>Code</th> <th>Fluid</th> </tr> </thead> <tbody> <tr> <td>G</td> <td>Gas</td> </tr> <tr> <td colspan="2"> <table border="1"> <thead> <tr> <th>Code</th> <th>Range</th> </tr> </thead> <tbody> <tr> <td>S</td> <td>Standard range</td> </tr> <tr> <td colspan="2">Please directly fill out the flow range in the order code.</td> </tr> </tbody> </table> </td> </tr> </tbody> </table> </td> </tr> </tbody> </table> </td></tr></tbody></table>		Code	Alarm	0	Without alarm switch	<table border="1"> <thead> <tr> <th>Code</th> <th>Body material</th> </tr> </thead> <tbody> <tr> <td>A</td> <td>SS316</td> </tr> <tr> <td colspan="2"> <table border="1"> <thead> <tr> <th>Code</th> <th>Float &amp; Wetted part material</th> </tr> </thead> <tbody> <tr> <td>A</td> <td>SS316</td> </tr> <tr> <td colspan="2"> <table border="1"> <thead> <tr> <th>Code</th> <th>Connection rating</th> </tr> </thead> <tbody> <tr> <td>0</td> <td>Thread connection</td> </tr> </tbody> </table> </td> </tr> </tbody> </table> </td> </tr> </tbody> </table>		Code	Body material	A	SS316	<table border="1"> <thead> <tr> <th>Code</th> <th>Float &amp; Wetted part material</th> </tr> </thead> <tbody> <tr> <td>A</td> <td>SS316</td> </tr> <tr> <td colspan="2"> <table border="1"> <thead> <tr> <th>Code</th> <th>Connection rating</th> </tr> </thead> <tbody> <tr> <td>0</td> <td>Thread connection</td> </tr> </tbody> </table> </td> </tr> </tbody> </table>		Code	Float & Wetted part material	A	SS316	<table border="1"> <thead> <tr> <th>Code</th> <th>Connection rating</th> </tr> </thead> <tbody> <tr> <td>0</td> <td>Thread connection</td> </tr> </tbody> </table>		Code	Connection rating	0	Thread connection	<table border="1"> <thead> <tr> <th>Code</th> <th>Protection Class</th> </tr> </thead> <tbody> <tr> <td>IP</td> <td>IP66</td> </tr> <tr> <td colspan="2"> <table border="1"> <thead> <tr> <th>Code</th> <th>Fluid</th> </tr> </thead> <tbody> <tr> <td>G</td> <td>Gas</td> </tr> <tr> <td colspan="2"> <table border="1"> <thead> <tr> <th>Code</th> <th>Range</th> </tr> </thead> <tbody> <tr> <td>S</td> <td>Standard range</td> </tr> <tr> <td colspan="2">Please directly fill out the flow range in the order code.</td> </tr> </tbody> </table> </td> </tr> </tbody> </table> </td> </tr> </tbody> </table>		Code	Protection Class	IP	IP66	<table border="1"> <thead> <tr> <th>Code</th> <th>Fluid</th> </tr> </thead> <tbody> <tr> <td>G</td> <td>Gas</td> </tr> <tr> <td colspan="2"> <table border="1"> <thead> <tr> <th>Code</th> <th>Range</th> </tr> </thead> <tbody> <tr> <td>S</td> <td>Standard range</td> </tr> <tr> <td colspan="2">Please directly fill out the flow range in the order code.</td> </tr> </tbody> </table> </td> </tr> </tbody> </table>		Code	Fluid	G	Gas	<table border="1"> <thead> <tr> <th>Code</th> <th>Range</th> </tr> </thead> <tbody> <tr> <td>S</td> <td>Standard range</td> </tr> <tr> <td colspan="2">Please directly fill out the flow range in the order code.</td> </tr> </tbody> </table>		Code	Range	S	Standard range	Please directly fill out the flow range in the order code.	
Code	Type																																																	
G	Indicating only																																																	
<table border="1"> <thead> <tr> <th>Code</th> <th>Alarm</th> </tr> </thead> <tbody> <tr> <td>0</td> <td>Without alarm switch</td> </tr> <tr> <td colspan="2"> <table border="1"> <thead> <tr> <th>Code</th> <th>Body material</th> </tr> </thead> <tbody> <tr> <td>A</td> <td>SS316</td> </tr> <tr> <td colspan="2"> <table border="1"> <thead> <tr> <th>Code</th> <th>Float &amp; Wetted part material</th> </tr> </thead> <tbody> <tr> <td>A</td> <td>SS316</td> </tr> <tr> <td colspan="2"> <table border="1"> <thead> <tr> <th>Code</th> <th>Connection rating</th> </tr> </thead> <tbody> <tr> <td>0</td> <td>Thread connection</td> </tr> </tbody> </table> </td> </tr> </tbody> </table> </td> </tr> </tbody> </table> </td> <td colspan="2"> <table border="1"> <thead> <tr> <th>Code</th> <th>Protection Class</th> </tr> </thead> <tbody> <tr> <td>IP</td> <td>IP66</td> </tr> <tr> <td colspan="2"> <table border="1"> <thead> <tr> <th>Code</th> <th>Fluid</th> </tr> </thead> <tbody> <tr> <td>G</td> <td>Gas</td> </tr> <tr> <td colspan="2"> <table border="1"> <thead> <tr> <th>Code</th> <th>Range</th> </tr> </thead> <tbody> <tr> <td>S</td> <td>Standard range</td> </tr> <tr> <td colspan="2">Please directly fill out the flow range in the order code.</td> </tr> </tbody> </table> </td> </tr> </tbody> </table> </td> </tr> </tbody> </table> </td></tr></tbody></table>		Code	Alarm	0	Without alarm switch	<table border="1"> <thead> <tr> <th>Code</th> <th>Body material</th> </tr> </thead> <tbody> <tr> <td>A</td> <td>SS316</td> </tr> <tr> <td colspan="2"> <table border="1"> <thead> <tr> <th>Code</th> <th>Float &amp; Wetted part material</th> </tr> </thead> <tbody> <tr> <td>A</td> <td>SS316</td> </tr> <tr> <td colspan="2"> <table border="1"> <thead> <tr> <th>Code</th> <th>Connection rating</th> </tr> </thead> <tbody> <tr> <td>0</td> <td>Thread connection</td> </tr> </tbody> </table> </td> </tr> </tbody> </table> </td> </tr> </tbody> </table>		Code	Body material	A	SS316	<table border="1"> <thead> <tr> <th>Code</th> <th>Float &amp; Wetted part material</th> </tr> </thead> <tbody> <tr> <td>A</td> <td>SS316</td> </tr> <tr> <td colspan="2"> <table border="1"> <thead> <tr> <th>Code</th> <th>Connection rating</th> </tr> </thead> <tbody> <tr> <td>0</td> <td>Thread connection</td> </tr> </tbody> </table> </td> </tr> </tbody> </table>		Code	Float & Wetted part material	A	SS316	<table border="1"> <thead> <tr> <th>Code</th> <th>Connection rating</th> </tr> </thead> <tbody> <tr> <td>0</td> <td>Thread connection</td> </tr> </tbody> </table>		Code	Connection rating	0	Thread connection	<table border="1"> <thead> <tr> <th>Code</th> <th>Protection Class</th> </tr> </thead> <tbody> <tr> <td>IP</td> <td>IP66</td> </tr> <tr> <td colspan="2"> <table border="1"> <thead> <tr> <th>Code</th> <th>Fluid</th> </tr> </thead> <tbody> <tr> <td>G</td> <td>Gas</td> </tr> <tr> <td colspan="2"> <table border="1"> <thead> <tr> <th>Code</th> <th>Range</th> </tr> </thead> <tbody> <tr> <td>S</td> <td>Standard range</td> </tr> <tr> <td colspan="2">Please directly fill out the flow range in the order code.</td> </tr> </tbody> </table> </td> </tr> </tbody> </table> </td> </tr> </tbody> </table>		Code	Protection Class	IP	IP66	<table border="1"> <thead> <tr> <th>Code</th> <th>Fluid</th> </tr> </thead> <tbody> <tr> <td>G</td> <td>Gas</td> </tr> <tr> <td colspan="2"> <table border="1"> <thead> <tr> <th>Code</th> <th>Range</th> </tr> </thead> <tbody> <tr> <td>S</td> <td>Standard range</td> </tr> <tr> <td colspan="2">Please directly fill out the flow range in the order code.</td> </tr> </tbody> </table> </td> </tr> </tbody> </table>		Code	Fluid	G	Gas	<table border="1"> <thead> <tr> <th>Code</th> <th>Range</th> </tr> </thead> <tbody> <tr> <td>S</td> <td>Standard range</td> </tr> <tr> <td colspan="2">Please directly fill out the flow range in the order code.</td> </tr> </tbody> </table>		Code	Range	S	Standard range	Please directly fill out the flow range in the order code.								
Code	Alarm																																																	
0	Without alarm switch																																																	
<table border="1"> <thead> <tr> <th>Code</th> <th>Body material</th> </tr> </thead> <tbody> <tr> <td>A</td> <td>SS316</td> </tr> <tr> <td colspan="2"> <table border="1"> <thead> <tr> <th>Code</th> <th>Float &amp; Wetted part material</th> </tr> </thead> <tbody> <tr> <td>A</td> <td>SS316</td> </tr> <tr> <td colspan="2"> <table border="1"> <thead> <tr> <th>Code</th> <th>Connection rating</th> </tr> </thead> <tbody> <tr> <td>0</td> <td>Thread connection</td> </tr> </tbody> </table> </td> </tr> </tbody> </table> </td> </tr> </tbody> </table>		Code	Body material	A	SS316	<table border="1"> <thead> <tr> <th>Code</th> <th>Float &amp; Wetted part material</th> </tr> </thead> <tbody> <tr> <td>A</td> <td>SS316</td> </tr> <tr> <td colspan="2"> <table border="1"> <thead> <tr> <th>Code</th> <th>Connection rating</th> </tr> </thead> <tbody> <tr> <td>0</td> <td>Thread connection</td> </tr> </tbody> </table> </td> </tr> </tbody> </table>		Code	Float & Wetted part material	A	SS316	<table border="1"> <thead> <tr> <th>Code</th> <th>Connection rating</th> </tr> </thead> <tbody> <tr> <td>0</td> <td>Thread connection</td> </tr> </tbody> </table>		Code	Connection rating	0	Thread connection	<table border="1"> <thead> <tr> <th>Code</th> <th>Protection Class</th> </tr> </thead> <tbody> <tr> <td>IP</td> <td>IP66</td> </tr> <tr> <td colspan="2"> <table border="1"> <thead> <tr> <th>Code</th> <th>Fluid</th> </tr> </thead> <tbody> <tr> <td>G</td> <td>Gas</td> </tr> <tr> <td colspan="2"> <table border="1"> <thead> <tr> <th>Code</th> <th>Range</th> </tr> </thead> <tbody> <tr> <td>S</td> <td>Standard range</td> </tr> <tr> <td colspan="2">Please directly fill out the flow range in the order code.</td> </tr> </tbody> </table> </td> </tr> </tbody> </table> </td> </tr> </tbody> </table>		Code	Protection Class	IP	IP66	<table border="1"> <thead> <tr> <th>Code</th> <th>Fluid</th> </tr> </thead> <tbody> <tr> <td>G</td> <td>Gas</td> </tr> <tr> <td colspan="2"> <table border="1"> <thead> <tr> <th>Code</th> <th>Range</th> </tr> </thead> <tbody> <tr> <td>S</td> <td>Standard range</td> </tr> <tr> <td colspan="2">Please directly fill out the flow range in the order code.</td> </tr> </tbody> </table> </td> </tr> </tbody> </table>		Code	Fluid	G	Gas	<table border="1"> <thead> <tr> <th>Code</th> <th>Range</th> </tr> </thead> <tbody> <tr> <td>S</td> <td>Standard range</td> </tr> <tr> <td colspan="2">Please directly fill out the flow range in the order code.</td> </tr> </tbody> </table>		Code	Range	S	Standard range	Please directly fill out the flow range in the order code.														
Code	Body material																																																	
A	SS316																																																	
<table border="1"> <thead> <tr> <th>Code</th> <th>Float &amp; Wetted part material</th> </tr> </thead> <tbody> <tr> <td>A</td> <td>SS316</td> </tr> <tr> <td colspan="2"> <table border="1"> <thead> <tr> <th>Code</th> <th>Connection rating</th> </tr> </thead> <tbody> <tr> <td>0</td> <td>Thread connection</td> </tr> </tbody> </table> </td> </tr> </tbody> </table>		Code	Float & Wetted part material	A	SS316	<table border="1"> <thead> <tr> <th>Code</th> <th>Connection rating</th> </tr> </thead> <tbody> <tr> <td>0</td> <td>Thread connection</td> </tr> </tbody> </table>		Code	Connection rating	0	Thread connection																																							
Code	Float & Wetted part material																																																	
A	SS316																																																	
<table border="1"> <thead> <tr> <th>Code</th> <th>Connection rating</th> </tr> </thead> <tbody> <tr> <td>0</td> <td>Thread connection</td> </tr> </tbody> </table>		Code	Connection rating	0	Thread connection																																													
Code	Connection rating																																																	
0	Thread connection																																																	
Code	Protection Class																																																	
IP	IP66																																																	
<table border="1"> <thead> <tr> <th>Code</th> <th>Fluid</th> </tr> </thead> <tbody> <tr> <td>G</td> <td>Gas</td> </tr> <tr> <td colspan="2"> <table border="1"> <thead> <tr> <th>Code</th> <th>Range</th> </tr> </thead> <tbody> <tr> <td>S</td> <td>Standard range</td> </tr> <tr> <td colspan="2">Please directly fill out the flow range in the order code.</td> </tr> </tbody> </table> </td> </tr> </tbody> </table>		Code	Fluid	G	Gas	<table border="1"> <thead> <tr> <th>Code</th> <th>Range</th> </tr> </thead> <tbody> <tr> <td>S</td> <td>Standard range</td> </tr> <tr> <td colspan="2">Please directly fill out the flow range in the order code.</td> </tr> </tbody> </table>		Code	Range	S	Standard range	Please directly fill out the flow range in the order code.																																						
Code	Fluid																																																	
G	Gas																																																	
<table border="1"> <thead> <tr> <th>Code</th> <th>Range</th> </tr> </thead> <tbody> <tr> <td>S</td> <td>Standard range</td> </tr> <tr> <td colspan="2">Please directly fill out the flow range in the order code.</td> </tr> </tbody> </table>		Code	Range	S	Standard range	Please directly fill out the flow range in the order code.																																												
Code	Range																																																	
S	Standard range																																																	
Please directly fill out the flow range in the order code.																																																		

**NOTE:**

1. Custom-made flow range and flange size upon request.
2. Please fill in the ordering information and service condition, and fax this sheet along with your inquiry to 886-7-8225588.

**Special instruction, if any:**

---



---



---

**Service Condition:**

Fluid name: \_\_\_\_\_

Sp. Gr. (density): \_\_\_\_\_

Viscosity: \_\_\_\_\_

Press.: \_\_\_\_\_

Temp.: \_\_\_\_\_

Full scale: \_\_\_\_\_