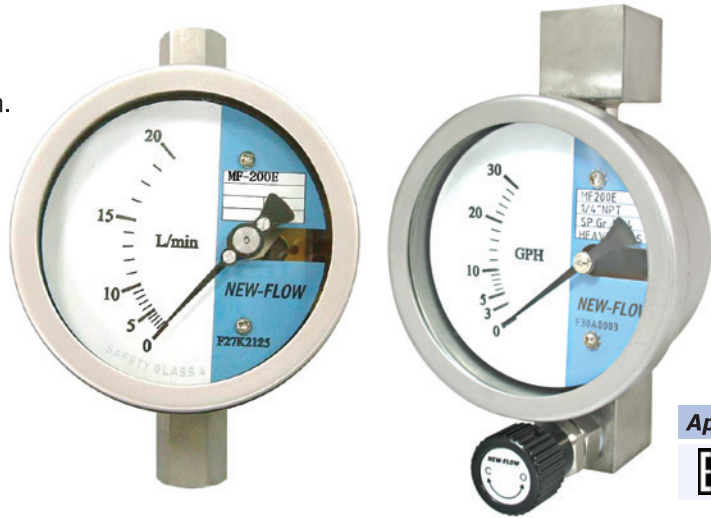


METAL TUBE FLOW METER MF200E

Technical Data

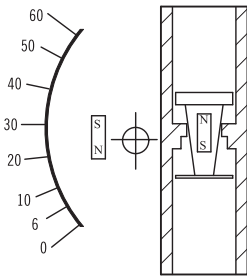
MF200E for low flow of gas, liquid and steam
Material: 316 stainless steel for case and body or option.
Indication: via magnetic coupling (no seals)
Scales: calibrated in l/h, m³/h, kg/h, %
Flow rate: water-0.4 l/h up to 4000 l/h
 air-21 NL/h up to 120,000 NL/h
Connection types: BSP, NPT, flange type on request
Working Temperature:
 Combine with electronic parts: -40°C~+150°C
 Combine without electronic parts: -40°C~+180°C
Working Pressure: Standard 100 kg/cm²;
 other options upon request
Connection size: 1/4" ~ 1 1/2"
Protection Class: IP66
Accuracy: ± 2% FS (± 1.6% FS option)



Approvals:



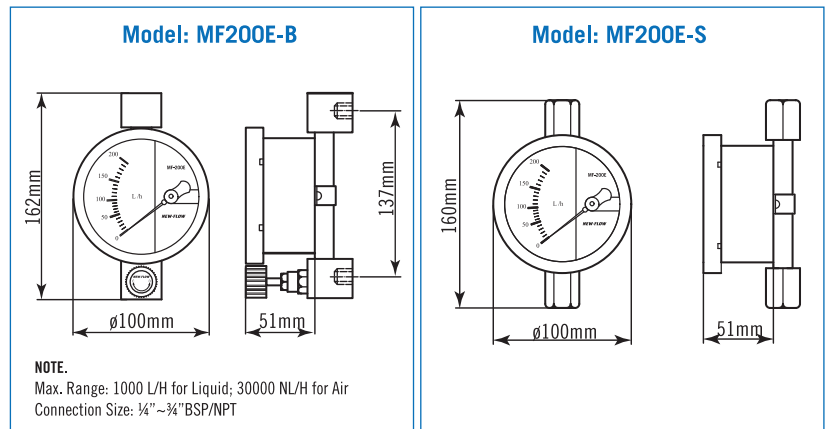
Principle



Standard Scales

Tube	L/H 20°C Water	NL/H Air 0°C 1.013 bar	ΔPmm Water	BSP /NPT	Accuracy (NOTE 1.)
MF2001E	0.4 ~ 4	21 ~ 210	340	1/4"	±6% F.S
MF2002E	0.6 ~ 6	33~330	340	1/4"	±3% F.S
MF2003E	1 ~ 10	48~480	340	1/4"	±2% F.S
MF2004E	1.5 ~ 15	60~600	340	1/4"	±2% F.S
MF2005E	2 ~ 20	72~720	340	1/4"	±2% F.S
MF2006E	3 ~ 30	90~900	340	1/4"	±2% F.S
MF2007E	5 ~ 50	120~1200	340	1/4"	±2% F.S
MF2008E	6 ~ 60	180~1800	340	1/4"	±2% F.S
MF2009E	10 ~ 100	300~3000	340	1/4"	±2% F.S
MF2010E	15 ~ 150	500~5000	340	1/2"	±2% F.S
MF2011E	25 ~ 250	750~7500	340	1/2"	±2% F.S
MF2012E	45 ~ 450	1500 ~ 15000	340	1/2"	±2% F.S
MF2013E	75~750	2000~20000	340	3/4"	±2% F.S
MF2014E	100~1000	3000~30000	340	1"	±2% F.S
MF2015E	150~1500	5000~50000	450	1-1/2"	±2% F.S
MF2016E	200~2000	7500~75000	450	1-1/2"	±2% F.S
MF2017E	300~3000	9000~90000	450	1-1/2"	±2% F.S
MF2018E	350~3500	11000~110000	450	1-1/2"	±2% F.S
MF2019E	400~4000	12000~120000	450	1-1/2"	±2% F.S

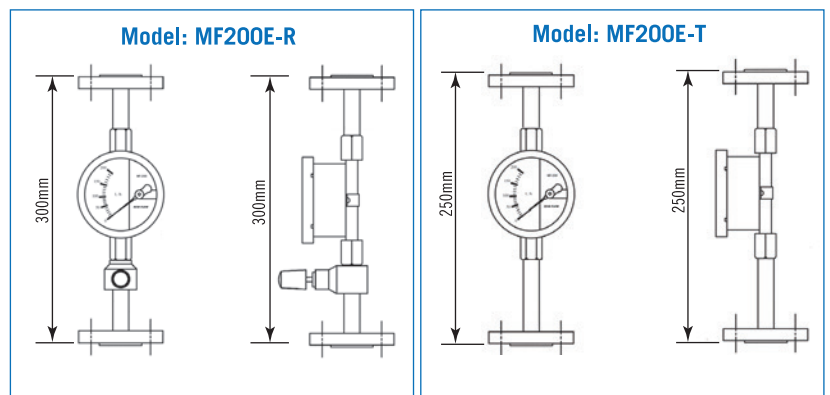
Dimensions



NOTE:
 Max. Range: 1000 L/H for Liquid; 30000 NL/H for Air
 Connection Size: 1/4"~3/4" BSP/NPT

MF200E-B
 Basic Model:
 Rear connection + needle valve

MF200E-S
 Basic Model:
 Thread connection



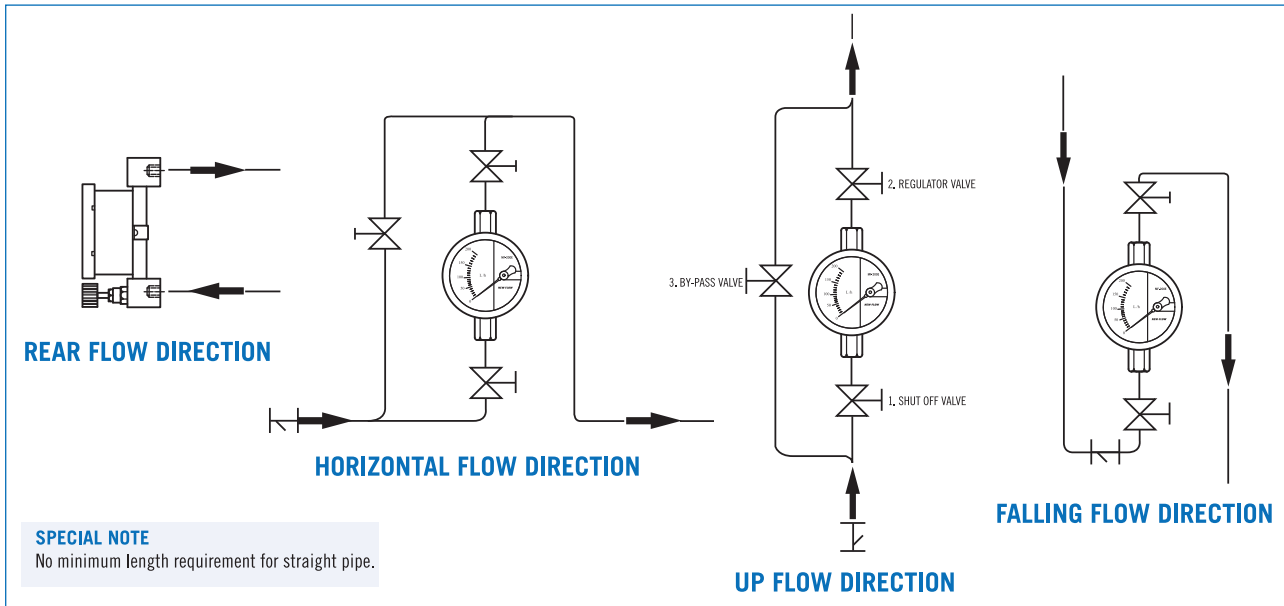
MF200E-R
 Flange-needle Model:
 flange connection + needle valve

MF200E-T
 Flange Model:
 flange connection

NOTE.

- The accuracy ±6% F.S for tube MF2001E; The accuracy ±3% F.S for tube MF2002E.
 The accuracy ±2% F.S for tube MF2003E~MF2019E and option ±1.6% F.S on request.
- Performance Technical Data are effective with date of issue and are subject to change without prior notice.

Installation



Ordering Information

MF200E	Code	Connection	Code	Connection size
	S	Thread connection	4B	1/4" BSP (Female)
	R	Connection with needle valve	4N	1/4" NPT (Female)
	T	Flange connection	2B	1/2" BSP (Female)
	B	Rear connection with needle valve	2N	1/2" NPT (Female)
		Code Type	6B	3/4" BSP (Female)
		G Indicating only	6N	3/4" NPT (Female)
		Code Alarm	1B	1" BSP (Female)
		0 Without alarm switch	1N	1" NPT (Female)
		Code Body material	15B	1 1/2" BSP (Female)
		A SS316 B SS316L	15N	1 1/2" NPT (Female)
		Code Float & Wetted part material	20B	2" BSP (Female)
		A SS316 B SS316L	20N	2" NPT (Female)
		Code Connection rating	2F	1/2" Flange
		0 Thread connection	6F	3/4" Flange
		5 JIS 5K	10F	1" Flange
		10 JIS 10K	15F	1 1/2" Flange
		20 JIS 20K		
		15 ANSI 150#	Code Protection Class	IP IP66
		30 ANSI 300#		
		40 ANSI 400#	Code Fluid	G Gas
		60 ANSI 600#		O Oil
		T Other: _____		L Liquid
				S Steam
			Code Range	S Standard range
				Please directly fill out the flow range in the order code.

MF200E [] [] [] [] [] [] + [] [] [] [] [] [] Complete ordering code

NOTE:

1. Custom-made flow range and flange size upon request.
2. Please fill in the ordering information and service condition, and fax this sheet along with your inquiry to 886-7-8225588.

Special instruction, if any:

Service Condition:

Fluid name: _____

Sp. Gr. (density): _____

Viscosity: _____

Press.: _____

Temp.: _____

Full scale: _____