

MINI SIZE LEVEL GAUGE

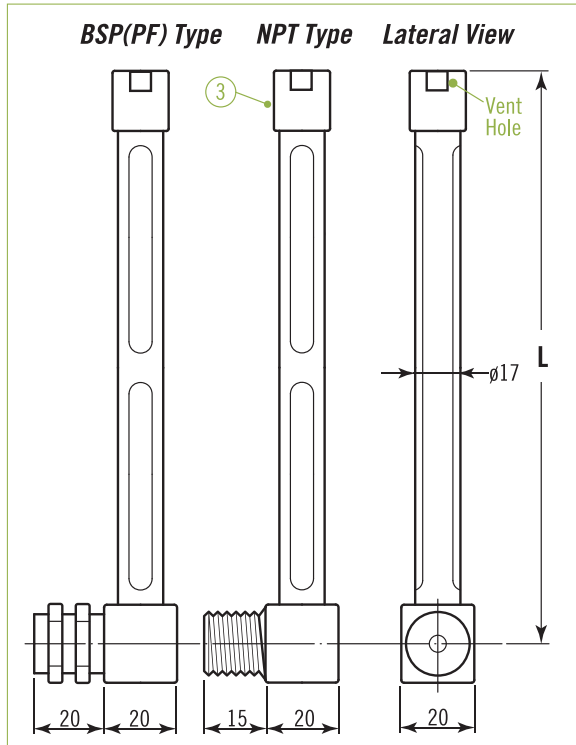
MLG SERIES

Technical Data

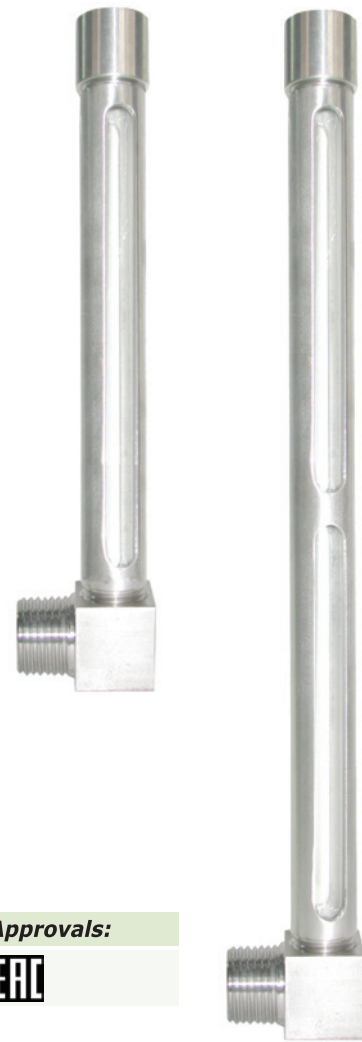
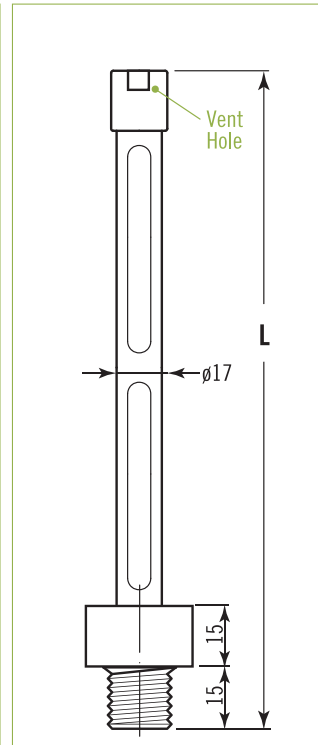
Application: for Oil tank, mini size tank
Material: Stainless steel 316
Connection type: NPT, BSP (PF) available
Connection size: 1/4", 3/8", 1/2" available
Gauge length: 80, 100, 125, 150, 200, 250, 300, 350mm; and option available
Mounting Type: Wall mounting or mounting in the cover available

Dimensions

(A) Wall Mounting Type



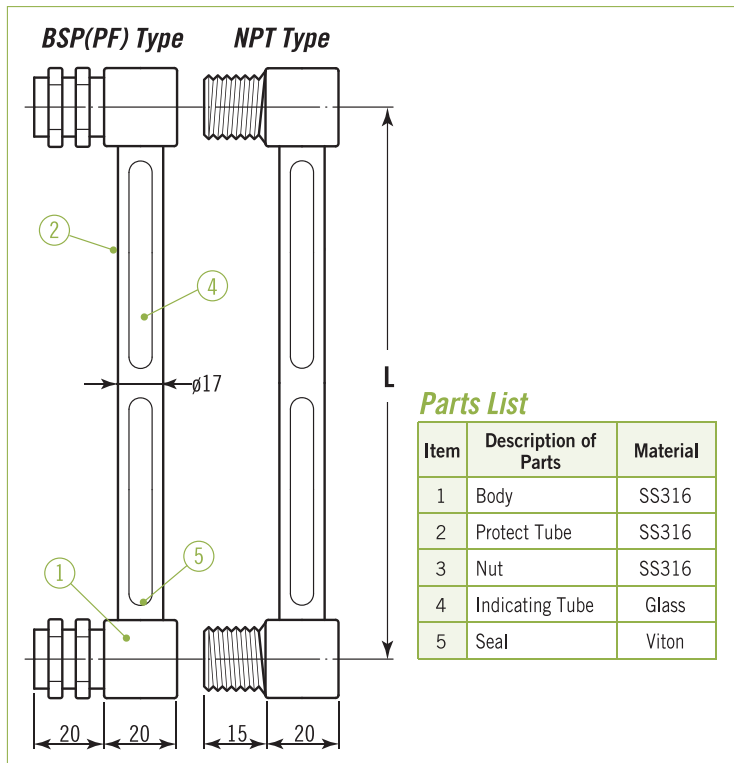
(B) Mounting in the Cover



Approvals:



(C) Wall Mounting Type: Both side connection



Ordering Information

MLG	Code	Process Connection Size
		(A) 1/4" BSP (B) 1/4" NPT (C) 3/8" BSP (D) 3/8" NPT
		(E) 1/2" BSP (F) 1/2" NPT (G) option
	Code	Material
		(3) SS316 (4) option
	Code	Gauge Length (L)
		(A) 80 mm (B) 100 mm
		(C) 125 mm (D) 150 mm
		(E) 200 mm (F) 250 mm
		(G) 300 mm (H) 350 mm
		(O) Option
	Code	Mounting Type
	A	Wall mounting
	B	Mounting in the cover
	C	Wall mounting: Both side connection
MLG		Complete Ordering Code