

# MAGNETIC LEVEL SWITCH

## MWS TYPE

### Technical Data

**Case Housing Material:** Aluminum alloy or SS316 available

**Protection Class:** (Taiwan Explosion Proof Certification):  
Ex d IIB + H<sub>2</sub> T6 Gb

**Micro Switch:** SPDT x 1; SPDT x 2 (one setting point)

**Rating:** 3A/250VAC, 5A/125VAC, 4A/30VDC

**Extension Wire Connection:** Female 1/2", 3/4"NPT, PF or BSP available

### Approvals:



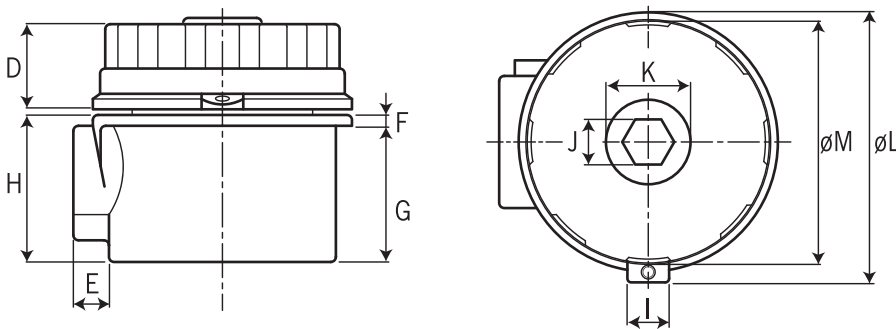
TD0400TJ  
工電(2016)第00114號  
(ITRI)2017第07-00105號



Switches with UL & CSA Recognized and File No. E41515.

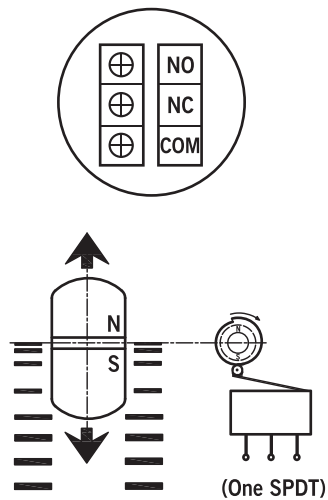


### Dimensions



Type	Dimensions									
	D	E	F	G	H	I	J	K	øL	øM
MWS	33	13.8	4.2	52.8	57	13.5	17.5	32.8	102.8	94.5

### Wire Drawing



(Two SPDT)

NC	6
NO	5
COM	4
NC	3
NO	2
COM	1

Option: 2 SPDT switch on request

### Ordering Information

MWS	Code	Case Material
	A	Aluminum alloy
	B	SS316
	Code	Switch Function- Micro Switch
	1	One Switch (SPDT x 1)
	2	Two Switches (SPDT x 2)
	Code	Conduit Size
	(1)	1/2"NPT(F)
	(2)	3/4"NPT(F)
	(3)	1/2"PF(F)
	(4)	3/4"PF(F)
	(5)	1/2"BSP(F)
	(6)	3/4"BSP(F)
	(7)	Option
	Code	Explosion Proof Type / Housing Material
	B	(Taiwan Explosion Proof Certification) / Aluminum alloy Ex d IIB + H <sub>2</sub> T6 Gb
	B1	(Taiwan Explosion Proof Certification) / SS316 Ex d IIB + H <sub>2</sub> T6 Gb
MWS		Complete Ordering Code