

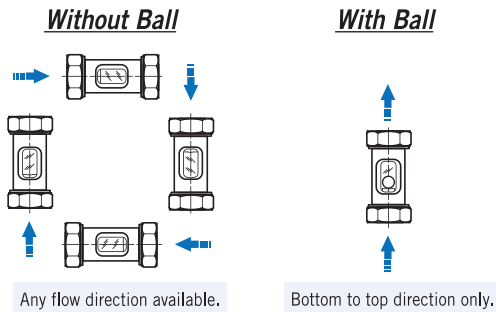
FLOW SIGHT GLASS GAUGE NAC

NAC are used for mounting in small pipes for liquid fluids. The instruments are equipped with female threads at inlet and outlet and can be supplied with either brass fittings.

Technical Data

Material: Body: Brass and SS316 available; Tube Housing: Borosilicate Glass;
O-Ring: Viton; **Thread Connection:** Brass or SS316; **Ball:** PTFE; **Spring:** SS316
Max. Pressure: 10 Bar
Max. Temperature: 70°C
Connection Size: 1/4", 3/8", 1/2" thread G(BSP) or NPT available, and option on request

Flow Direction

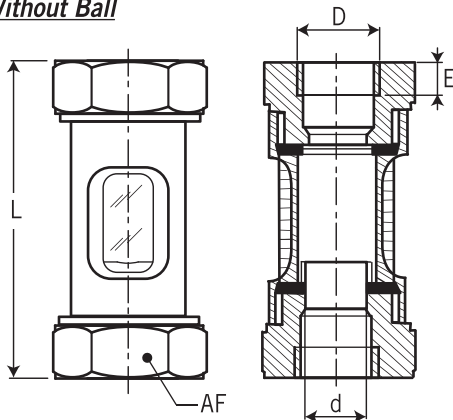


Approvals:



Dimensions

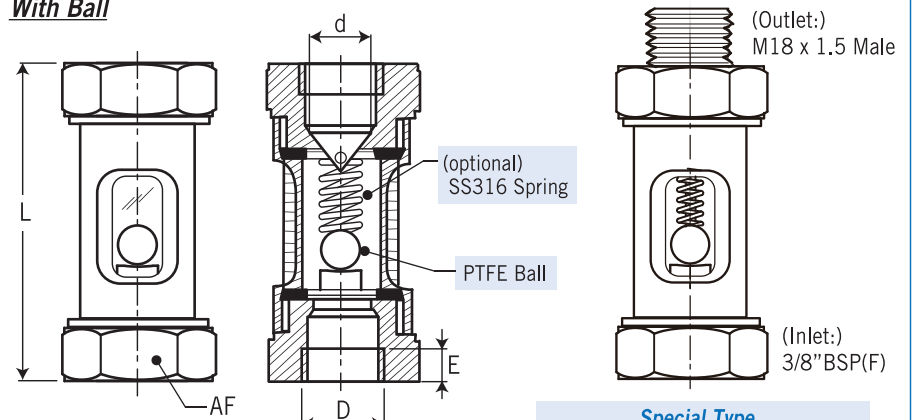
Without Ball



unit=mm

| Size | L | AF | D | d | E | Weight (approx. kg) |
|------|----|----|------|----|------|---------------------|
| 1/4" | 70 | 19 | 1/4" | 5 | 12 | 0.085 |
| 3/8" | 70 | 27 | 3/8" | 8 | 12 | 0.17 |
| 1/2" | 80 | 32 | 1/2" | 12 | 15.5 | 0.28 |

With Ball



unit=mm

| Size | L | AF | D | d | E | Weight (approx. kg) |
|------|----|----|------|---|------|---------------------|
| 3/8" | 80 | 32 | 3/8" | 8 | 12 | 0.31 |
| 1/2" | 80 | 32 | 1/2" | 8 | 15.5 | 0.31 |

Special Type

This special type is on request. Please consult with the manufacturer for this special type.

Ordering Information

| NAC | Code | Connection Size | | | | | | | |
|-----|------|-----------------|-------------------|------|----|------------------|---|--------|------------------------|
| | 1 | 1/4" | 2 | 3/8" | 3 | 1/2" | 0 | Option | |
| | | Code | Connection Rating | | | | | | |
| | | 1 | NPT (female) | | 2 | G (BSP) (female) | | 3 | Option |
| | | Code | O-Ring Material | | | | | | |
| | | V | Viton | | | | | | |
| | | Code | Ball & Spring | | | | | | |
| | | D | Ball only | | Ds | Both with | | N | Without |
| | | Code | Body Material | | | | | | |
| | | B | Brass | | S | SS316 | | O | Option |
| NAC | | | | | | | | | Complete Ordering Code |