

# FLOW SIGHT GLASS GAUGE

## NAH-1 – WITHOUT ROTOR NAH-2 – WITH ROTOR

NAH are used for mounting in pipes for fluids. The instruments are equipped with female threads at inlet and outlet and can be supplied with either brass or stainless steel fittings.

### Technical Data

**Material:** Body– Polycarbonate (P.C), Polysulfone (PSU) & SS316 available  
 Tube Housing– Polycarbonate (P.C), Polysulfone (PSU) & Glass available  
 O-Rings– Viton; Thread Connection– SS316; Rotor Guide– SS316  
 Rotor– POM (Orange), PP+10% glass fiber (Yellow), PVDF (Red or White),  
 PPS+40% glass fiber (Dark Brown) available

**Viscosity:** 1~150 mm<sup>2</sup>/s

**Indication Range:** minimum 0.4~4 L/Min; maximum 1.6~40 L/Min for water

**Max. Pressure:** PC body: 8 bar; PSU body: 12 bar; SS316 body: 16 bar

**Max. Temperature:** PC body: -5°C~+80°C; PSU & SS316 body: -5°C~+100°C;

Rotors: please refer to the *Optional for Rotors*

**Connection Size:** 1/4", 3/8", 1/2", 3/4", 1" female PF or NPT available

#### Approvals:



#### Patent No.

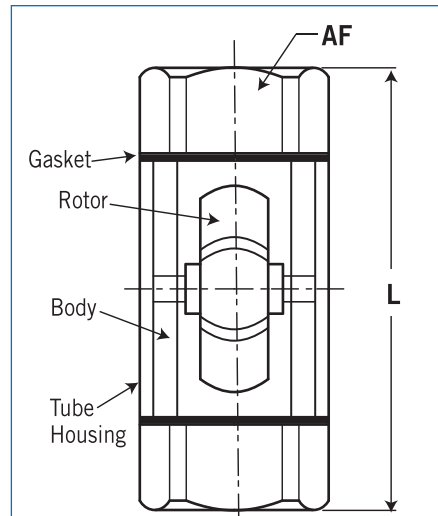
Taiwan: M385024  
 China: 1854921  
 U.S.: 8418567B2



NAH-1

NAH-2

### Dimensions-mm

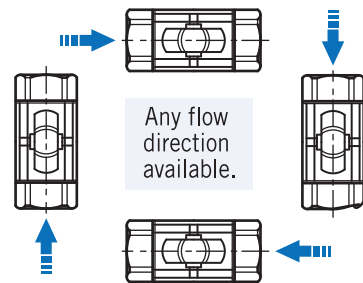


SIZE	L		AF	
	NPT	PF	NPT	PF
1/4"	80	80	30	30
3/8"	80	80	30	30
1/2"	104	104	40	40
3/4"	104	104	40	40
1"	104	104	40	46

### Range Table

PF/NPT	With Rotor	Without Rotor
1/4"	0.4~4 L/Min	8.3 L/Min
3/8"	0.6~8 L/Min	11.1 L/Min
1/2"	1~12 L/Min	31.5 L/Min
3/4"	1~25 L/Min	36.5 L/Min
1"	1.6~40 L/Min	38.0 L/Min

### Flow Direction



### Optional for Rotors

<b>POM</b> Color: Orange Temp. Limit: 100°C	<b>PP+10% Glass Fiber</b> Color: Yellow Temp. Limit: 60°C	<b>PPS+40% Glass Fiber</b> Color: Dark Brown Temp. Limit: 200°C	<b>PVDF</b> Color: Red or White Temp. Limit: 100°C

**NOTE.** The temperature limit above-mentioned is only for the reference to the rotors. Please also considering the max. temperature of body in the operating.

### Ordering Information

NAH	Code	Model	Code	O-Ring Material
	1	Without Rotor	2	With Rotor
		<b>Code</b> <b>Body / Tube Housing Material</b>		<b>Code</b> <b>Rotor Material (Color)</b>
		1 P.C / P.C		1 POM (Orange)
		2 PSU / PSU		2 PP+10% Glass Fiber (Yellow)
		3 SS316 / Glass		3 Without Rotor (for NAH-1 only)
		<b>Code</b> <b>Connection Size</b>		4 PPS+40% Glass Fiber (Dark Brown)
		(1) 1/4" (2) 3/8" (3) 1/2"		5 PVDF (Red)
		(4) 3/4" (5) 1"		6 PVDF (White)
		<b>Code</b> <b>Connection Rating</b>		<b>Code</b> <b>CE 1128 Mark Request</b>
		1 NPT Female		(1) With label sticker
		2 PF Female		(2) With S.S nameplate
				(3) Stamp (4) Without
NAH			+	Complete Ordering Code