

# FLOW SIGHT GLASS GAUGE

## NAM SERIES – Self Clearing Available

NAM is used for mounting in pipes for fluids. The instruments are equipped with female threads at inlet and outlet and can be supplied with either brass or stainless steel fittings.

### Technical Data

#### Self Clearing Function Available

**Material:** Body– SS316L; Tube Housing– Glass; O-Ring– Viton, NBR available  
 Rotor– POM (Orange), PP+10% glass fiber (Yellow), PPS+40% glass fiber (Dark Brown), PVDF (Red or White) available; Rotor Guide– SS316; Thread Connection– SS316

**Viscosity:** 1~150 mm<sup>2</sup>/s

**Indication Range:** Minimum 0.4~4 L/Min; Maximum 8~100 L/Min for water

**Max. Pressure:** SS316L body: 16 bar @20°C

**Max. Temperature:** SS316L body: -5°C~+150°C; Rotors: Please refer to the Optional for Rotors

**Connection Size:** ¼", ⅜", ½", ¾", 1", 1¼", 1½" female PF or NPT available

#### Approvals:



### Dimensions

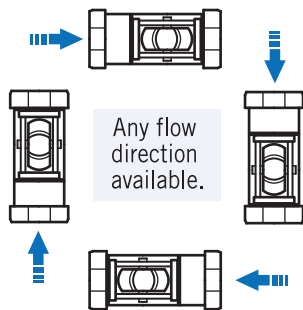
*Without Self Clearing*

*With Self Clearing*

**Dimension Data & Range Table:** unit=mm

SIZE	L		SPANNER SIZE (AF)	FLOW RANGE (WATER)
	NPT	PF		
1/4"	71	71	36	0.4~4 L/Min
3/8"	71	71	36	0.6~8 L/Min
1/2"	86	86	46	1~12 L/Min
3/4"	94	94	46	1~25 L/Min
1"	104	104	46	1.6~40 L/Min
1¼"	120	120	65	8~80 L/Min
1½"	130	130	65	8~100 L/Min

### Flow Direction



### Optional for Rotors

<b>POM</b> Color: Orange Temp. Limit: 100°C	<b>PP+10% Glass Fiber</b> Color: Yellow Temp. Limit: 60°C	<b>PPS+40% Glass Fiber</b> Color: Dark Brown Temp. Limit: 200°C	<b>PVDF</b> Color: Red or White Temp. Limit: 100°C

**NOTE.** The temperature limit above-mentioned is only for the reference to the rotors. Please also considering the max. temperature of body in the operating.

### Ordering Information

NAM	Code	Type	Code	Rotor Material (Color)				
↓	1	With Rotor	2	Without Rotor	1	POM (Orange)		
		<b>Code Body / Tube Housing Material</b>		2	PP+10% Glass Fiber (Yellow)			
	1	SS316L / Glass		3	PPS+40% Glass Fiber (Dark Brown)			
		<b>Code Connection Size</b>		4	PVDF (Red)	5	PVDF (White)	N
	(1) 1/4" (2) 3/8" (3) 1/2"		<b>Code Self Clearing</b>		(1) With (2) Without			
	(4) 3/4" (5) 1" (6) 1¼" (7) 1½"		<b>Code Connection Rating</b>		<b>Code CE 1128 Mark Request</b>			
	1 NPT Female		1 With label sticker		2 With S.S nameplate			
	2 PF Female		3 Stamp		4 Without			
	<b>Code O-Ring Material</b>							
	V Viton							
N NBR								

NAM

+

Complete Ordering Code