

# FLOW SIGHT GLASS GAUGE

**NAW-1** - WITH TEFLON BALL

**NAW-2** - WITH ROTOR

## Technical Data

**Service:** for Gases and Liquid

**Wetted Parts Material:**

Body: SS316, PP or PVDF available

Ball: Teflon

Window: Tempered glass

Gasket: Viton or EPDM

Rotor: PP+10% glass fiber (Color/Orange; Temp.: -20~80°C)

PVDF (Color/White; Temp.: -20~90°C)

PPS (Color/Yellow; Temp.: -20~200°C)

Rotor Guide: SS316, or Ceramic available

### Temperature Limit:

• SS316 Body with Viton Gasket : (-15°C) ~ +200°C

• SS316 Body with EPDM Gasket : (-20°C) ~ +120°C

• PP Body with Viton or EPDM Gasket : 0 ~ 60°C

• PVDF Body with Viton Gasket : (-15°C) ~ +90°C

• PVDF Body with EPDM Gasket : (-20°C) ~ +90°C

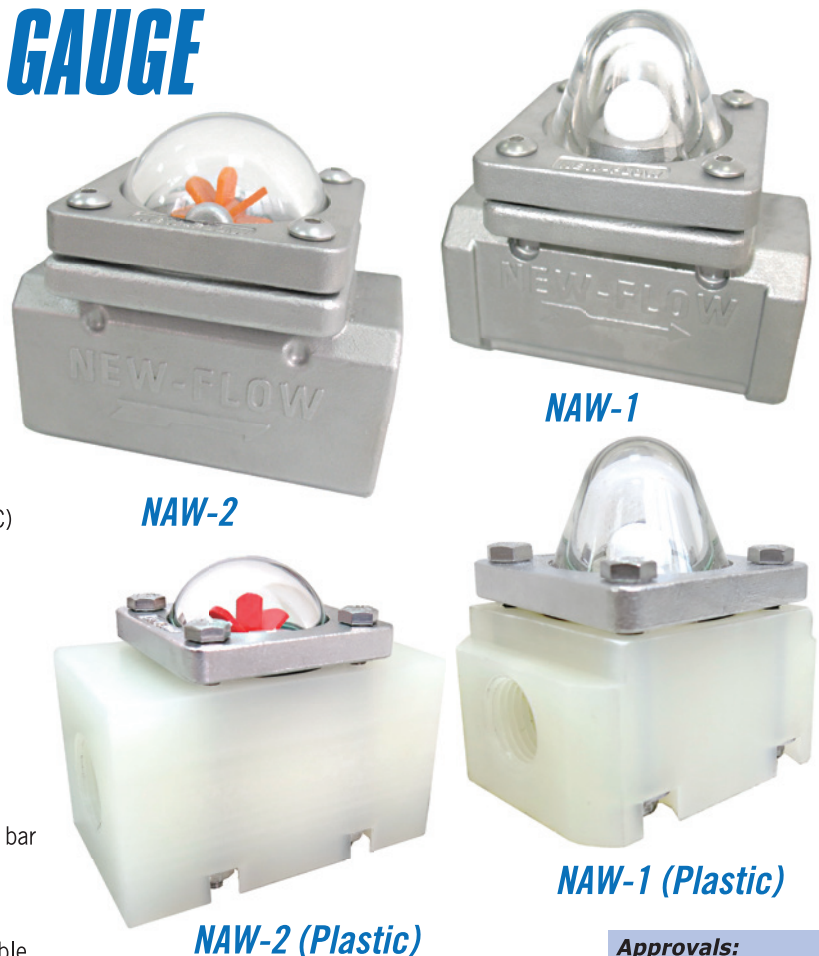
### Pressure Limit:

• Metal: 16 bar • Plastic (PP): 8 bar • Plastic (PVDF): 10 bar

**Connection:** Threaded type

**Size:** Thread ¼", ⅜", ½", ¾", 1", 1¼", 1½" NPT or BSP female available

**Flow Direction:** NAW-1: Left to Right or Right to Left available  
NAW-2: Any direction available



NAW-1

NAW-2

NAW-2 (Plastic)

NAW-1 (Plastic)

### Approvals:



## Flow Range Table

**NAW-1** : With Teflon Ball

Size	¼"	⅜"	½"	¾"	1"	1¼"	1½"
Min. Flow (L/Min)	0.12	0.12	0.15	2.5	2.9	11.5	16.5
Max. Flow (L/Min)	1.12	1.12	1.15	5.5	6.0	17.0	22.0
ΔP (2m/sec) BAR	0.15	0.15	0.19	0.18	0.45	0.20	0.25

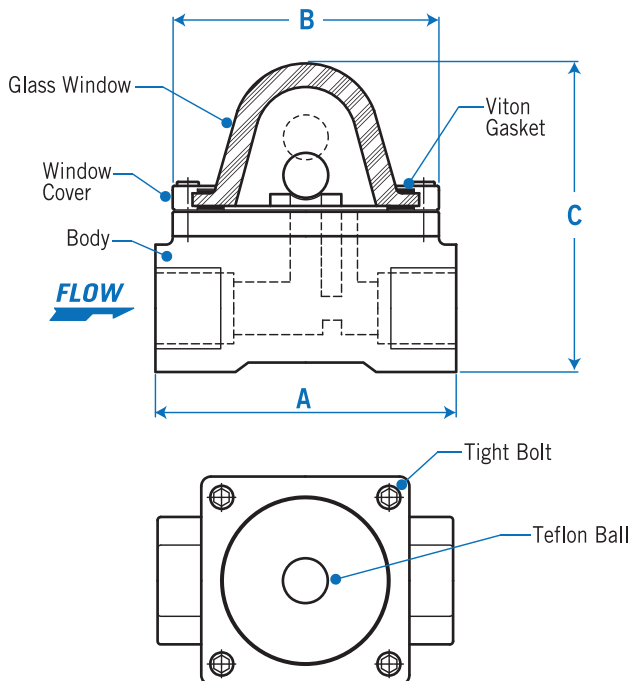
**NAW-2** : With Rotor

Size	¼"	⅜"	½"	¾"	1"
Min. Flow (L/Min)	0.8	0.9	1.1	1.4	2.0
Max. Flow (L/Min)	31	41	56	95	145
ΔP (2m/sec) BAR	0.15	0.18	0.21	0.20	0.50

NOTE. The Flow Range Table is based on Water.

## Dimensions

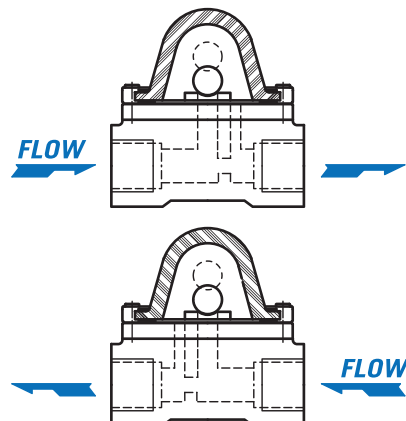
(A) NAW-1, With Teflon Ball

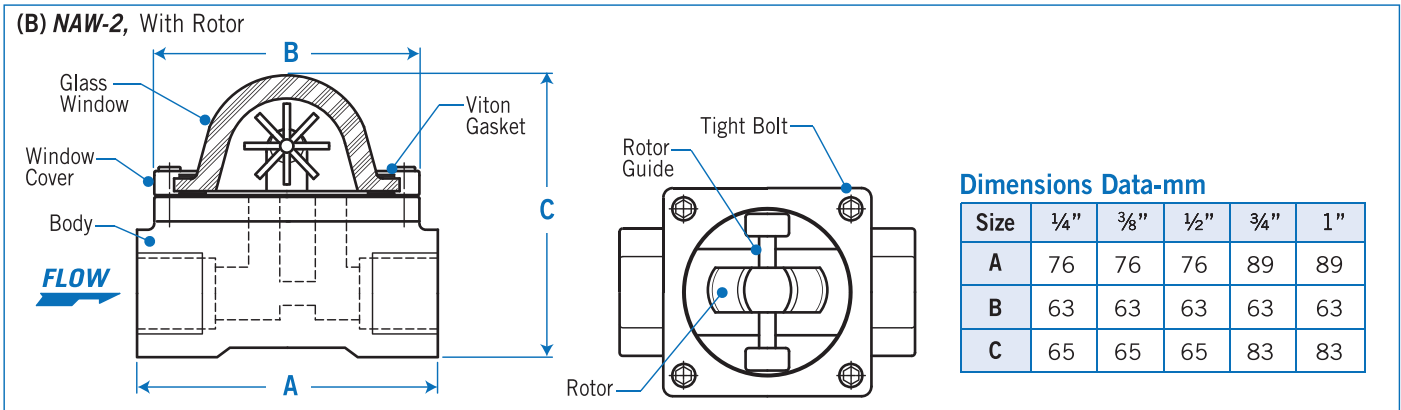


### Dimensions Data-mm

Size	¼"	⅜"	½"	¾"	1"	1¼"	1½"
A	76	76	76	89	89	117	117
B	63	63	63	63	63	75	75
C	79	79	79	95	95	125	125

**Flow Direction** Horizontal direction only.

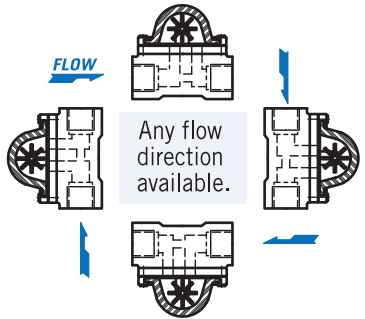




**Dimensions Data-mm**

Size	1/4"	3/8"	1/2"	3/4"	1"
A	76	76	76	89	89
B	63	63	63	63	63
C	65	65	65	83	83

**Flow Direction**



**Optional for Rotors**

 <b>POM</b> Color: Orange Temp. Limit: 100°C	 <b>PP+10% Glass Fiber</b> Color: Yellow Temp. Limit: 60°C	 <b>PPS+40% Glass Fiber</b> Color: Dark Brown Temp. Limit: 200°C	 <b>PVDF</b> Color: Red or White Temp. Limit: 100°C
---	---	---	--

**NOTE.** The temperature limit above-mentioned is only for the reference to the rotors. Please also considering the max. temperature of body in the operating.

**Ordering Information**

**NAW-1 : With Teflon Ball**

NAW	Code	Model
	1	Teflon Ball Type
		<b>Code</b> <b>Material of Body / Ball</b>
		S (S) SS316/Teflon Ball (P) PP/Teflon Ball (only for thread 1/4" to 1") (D) PVDF/Teflon Ball (only for thread 1/4" to 1")
		<b>Code</b> <b>Gasket Material</b>
		V Viton E EPDM O Option
		<b>Code</b> <b>Connection Size (Female)</b>
		(1) 1/4" (2) 3/8" (3) 1/2" (4) 3/4" (5) 1" (6) 1 1/4" (7) 1 1/2"
		<b>Code</b> <b>Thread Type</b>
		(1) NPT (2) BSP (3) Option
		<b>Code</b> <b>CE 1128 Mark Request</b>
		(1) With label sticker (2) With S.S nameplate (3) Stamp (4) Without
<b>NAW</b>	<b>1</b>	<b>Complete Ordering Code</b>

**NAW-2 : With Rotor**

NAW	Code	Model
	2	Rotor Type
		<b>Code</b> <b>Material of Body / Rotor / Rotor Guide</b>
		SG (Y) SS316 / PP+10% Glass Fiber (Yellow) / SS316
		SD (R) SS316 / PVDF (Red) / SS316 (W) SS316 / PVDF (White) / SS316
		SP (O) SS316 / POM (Orange) / SS316
		SF (B) SS316 / PPS+40% glass fiber (Dark Brown) / SS316
		PG (Y) PP / PP+10% Glass Fiber (Yellow) / Ceramic
		PD (R) PP / PVDF (Red) / Ceramic (W) PP / PVDF (White) / Ceramic
		DD (R) PVDF / PVDF (Red) / Ceramic (W) PVDF / PVDF (White) / Ceramic
		<b>Code</b> <b>Gasket Material</b>
		V Viton E EPDM O Option
		<b>Code</b> <b>Connection Size (Female)</b>
		(1) 1/4" (2) 3/8" (3) 1/2" (4) 3/4" (5) 1"
		<b>Code</b> <b>Thread Type</b>
		(1) NPT (2) BSP (3) Option
		<b>Code</b> <b>CE 1128 Mark Request</b>
		(1) With label sticker (2) With S.S nameplate (3) Stamp (4) Without
<b>NAW</b>	<b>2</b>	<b>Complete Ordering Code</b>