

# FLOW SIGHT GLASS GAUGE NA TYPE

## Operation Principle

The flow sight glass gauge was designed for easy observation of flowing fluid from the up or down in the pipe.

## Application

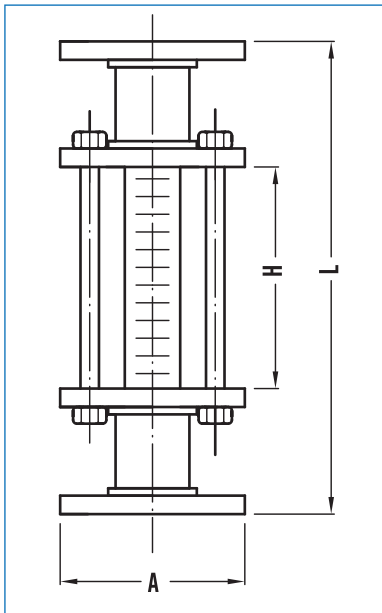
### A. Measuring the flow rate for:

- Chemical process system
- Water treatment system
- Industrial flow system

### B. Service Condition:

- Max working temperature: 100°C
- Max working pressure: 5 kg/cm<sup>2</sup>

## Dimensions



unit=mm

Range Size	DIMENSION			
	L	H	A	Flange
10A	240	100	—	3/8"
15A	240	100	—	1/2"
20A	240	100	—	3/4"
25A	240	100	—	1"
32A	260	120	—	1 1/4"
40A	260	120	—	1 1/2"
50A	260	120	—	2"
65A	260	120	—	2 1/2"
80A	300	150	—	3"
100A	300	150	—	4"



Approvals:



## Ordering Information

NA-TYPE	Code	Model	Code	Indicating Tube Material	
↓	NAS	stainless steel wetted parts	↓	(1) Borosilicate glass (2) PC	
	NAI	steel wetted parts		Code	Seal Material
	NAV	plastic wetted parts			(1) NBR (2) Viton (3) Teflon
	Code	Size		Code	Protection Rod Material
		(1) 10A (2) 15A (3) 20A (4) 25A (5) 32A (6) 40A			(1) SS304 (2) SS316
		(7) 50A (8) 65A (9) 80A (10) 100A			
	Code	Connection Rating			
		(1) JIS 5K (2) JIS 10K (3) ANSI 150#			
		(4) DIN PN10			
	Code	Body (wetted parts) Material			
	(1) CS (2) SS304 (3) SS316				
	(4) PVC (5) PP (6) PVDF				
	(7) Teflon (8) Option				
NA-TYPE			+	Complete ordering code	