

2-PIECE BALL VALVE NH2T SERIES

With Direct Mounting Pad

Technical Data

- ISO 5211 Direct Mounting Pad
- Full Port
- Investment Casting
- Design: ASME B16.34
- Valves Inspected & Tested according to API 598 Standard

Material: EN10213-1.4408 , EN10213-1.4308 , EN10213-1.4409 , EN10213-1.0619

Working Pressure ¼"~2" 1000 WOG/PN63; 2½"~3" 800WOG/PN40

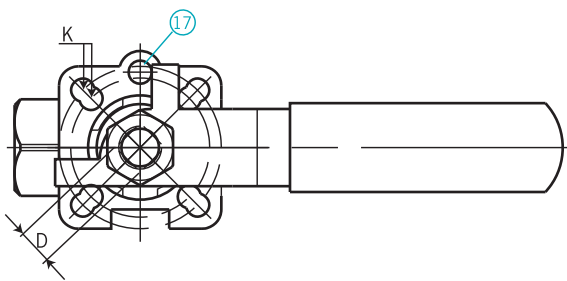
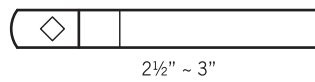
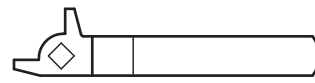
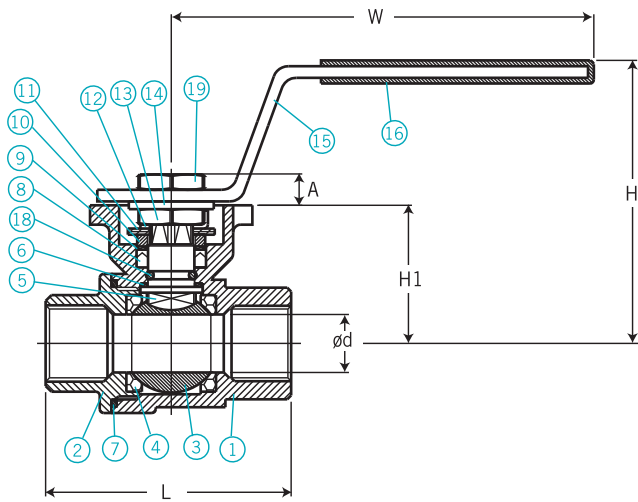
Size Ranging: ¼"~3" (DN8~DN80)

End Connections: DIN2999 / DIN259 / BSPT / NPT

Options: Locking Device



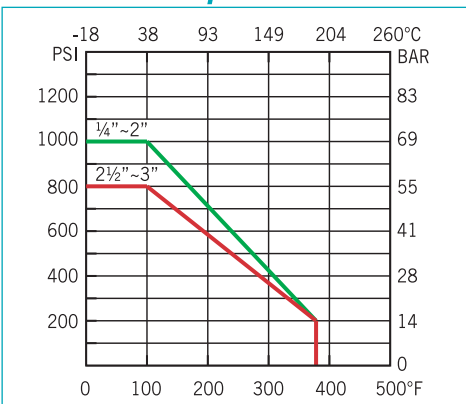
Dimensions



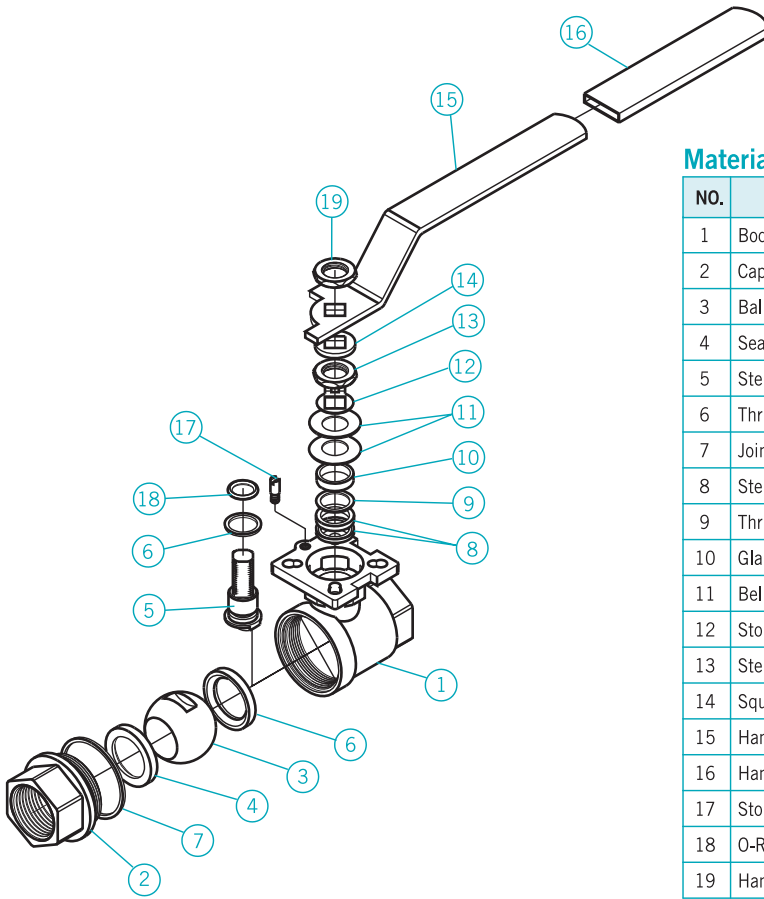
Dimension Data-mm

SIZE	ød	L	H	D	A	K	H1	W
1/4"	11	63.5	73	9	9	F03 / F04	36	111
3/8"	12.5	63.5	73	9	9	F03 / F04	36	111
1/2"	15	63.5	73	9	9	F03 / F04	36	111
3/4"	20	74	78	9	9	F03 / F04	41	111
1"	25	83	90	11	11	F04 / F05	50	186
1¼"	32	100.5	97	11	11	F04 / F05	56	186
1½"	38	108	112	14	14	F05 / F07	70	197
2"	50	125	120	14	14	F05 / F07	78	197
2½"	65	172	145	17	17	F07 / F010	98	265.5
3"	80	189	156	17	17	F07 / F010	108.5	265.5

Pressure-Temperature Chart



Parts & Material List



Material List

NO.	Description	Qty	Material	
1	Body	1	ASTM-A351-CF8M	ASTM-A216-WCB
2	Cap	1	ASTM-A351-CF8M	ASTM-A216-WCB
3	Ball	1	ASTM-A351-CF8M	ASTM-A351-CF8M
4	Seat	2	PTFE	PTFE
5	Stem	1	SUS316	SUS316
6	Thrust Washer	1	PTFE	PTFE
7	Joint Gasket	1	PTFE	PTFE
8	Stem Packing	1 SET	PTFE	PTFE
9	Thrust Washer	1	PTFE 15%	PTFE 15%
10	Gland Bush	1	SUS304	SUS304
11	Belleville Washer	2	SUS301	SUS301
12	Stop Washer	1	SUS304	SUS304
13	Stem Nut	1	SUS304	SUS304
14	Square Washer	1	SUS304	SUS304
15	Handle	1	SUS304	SUS304
16	Handle Cover	1	Plastic	Plastic
17	Stop Pin	1	SUS304	SUS304
18	O-Ring	1	Viton	Viton
19	Handle Nut	1	SUS304	SUS304

Ordering Information

NH2T	Code	Body Material	
	1	EN10213-1.4408	2 EN10213-1.4308
	3	EN10213-1.4409	4 EN10213-1.0619
		Code	Connection Size
			(1) ¼" (2) ⅜" (3) ½" (4) ¾" (5) 1" (6) 1¼" (7) 1½"
			(8) 2" (9) 2½" (10) 3"
		Code	End Connection Type
			(A) DIN2999 (B) DIN259 (C) BSPT (D) NPT
NH2T			Complete Ordering Code