

3-PIECE HIGH PRESSURE BALL VALVE

NH3TP-SERIES – With Direct Mounting Pad

Technical Data

- ISO 5211 Direct Mounting Pad
- Full Port
- Investment Casting
- Fire Safe Design
- Design: ASME B16.34
- Valves Inspected & Tested according to API 598 Standard

Material: ASTM-A351-CF8M, ASTM-A351-CF8, ASTM-A351-CF3M, ASTM-A216-WCB

Working Pressure: 2000WOG

End Connectoins: Threaded; Socket Welded End available

Size Ranging: ¼"~2" (DN8~DN50)

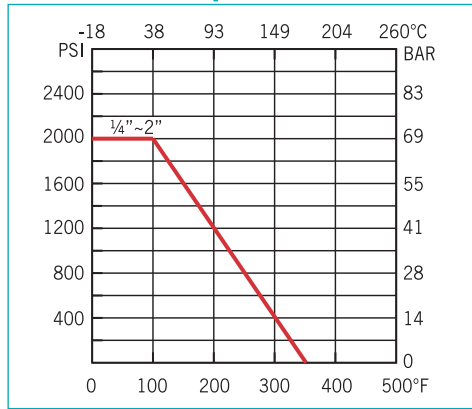
Face to Face: DIN3202/M3

Option: Locking Device

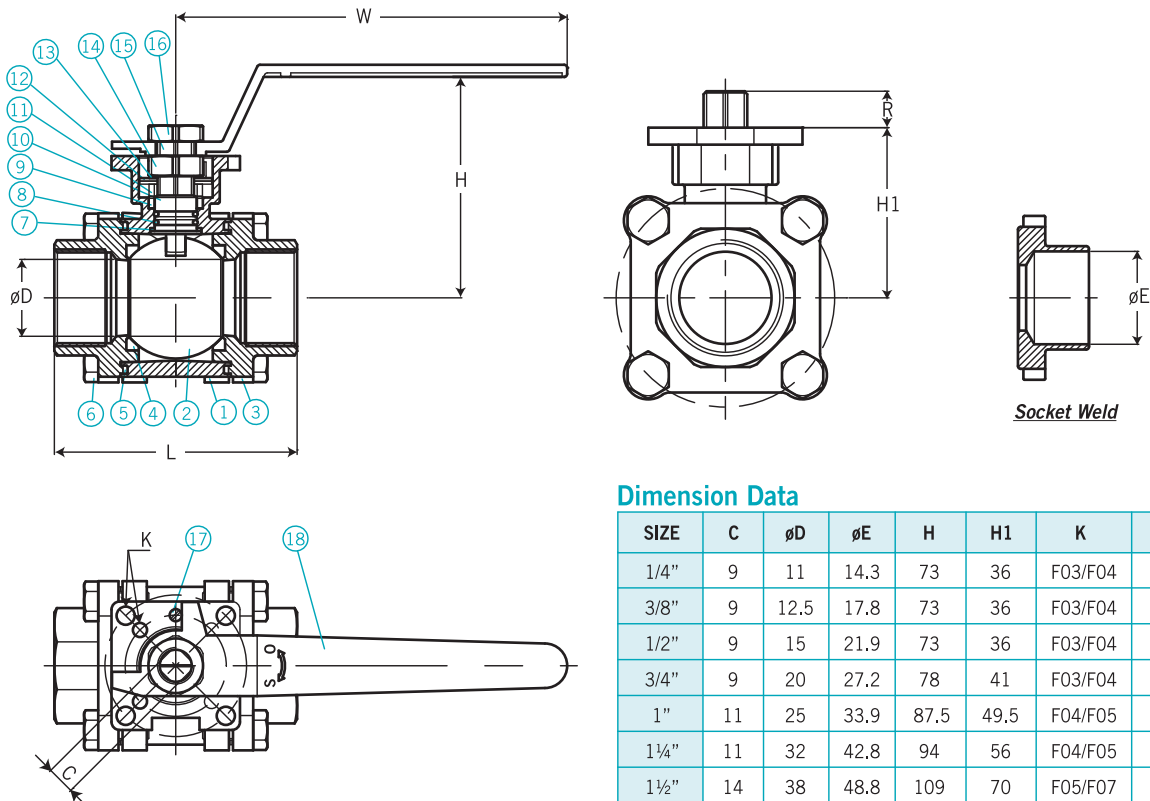
Handle: Investment casting without handle cover



Pressure-Temperature Chart



Dimensions

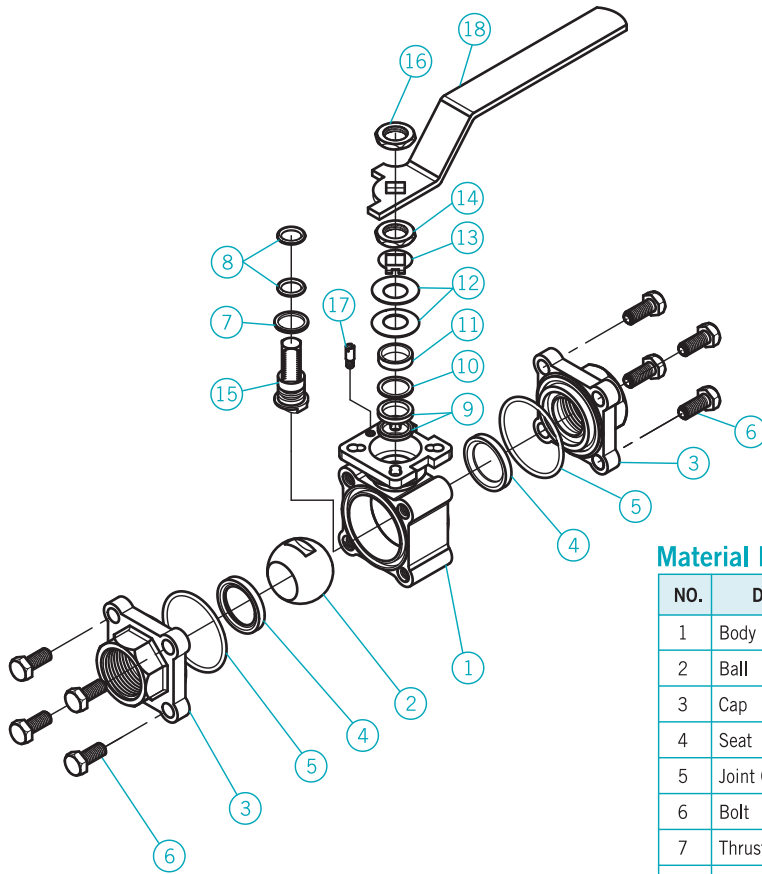


Dimension Data

SIZE	C	ØD	ØE	H	H1	K	L	R	W
1/4"	9	11	14.3	73	36	F03/F04	75	9	111
3/8"	9	12.5	17.8	73	36	F03/F04	75	9	111
1/2"	9	15	21.9	73	36	F03/F04	75	9	111
3/4"	9	20	27.2	78	41	F03/F04	80	9	111
1"	11	25	33.9	87.5	49.5	F04/F05	90	11	186
1 1/4"	11	32	42.8	94	56	F04/F05	110	11	186
1 1/2"	14	38	48.8	109	70	F05/F07	120	14	197
2"	14	50	61.2	117	78	F05/F07	140	14	197

unit=mm

Parts & Material List



Material List

NO.	Description	Qty	Material	
1	Body	1	ASTM-A351-CF8M	ASTM-A216-WCB
2	Ball	1	ASTM-A351-CF8M	ASTM-A351-CF8
3	Cap	2	ASTM-A351-CF8M	ASTM-A216-WCB
4	Seat	2	TFM1600	TFM1600
5	Joint Gasket	2	Viton	Viton
6	Bolt	4	SUS304	SUS304
7	Thrust Washer	1	TFM1600	TFM1600
8	O-Ring	2	Viton	Viton
9	Stem Packing	1	TFM1600	TFM1600
10	Thrust Washer	1	TFM1600	TFM1600
11	Gland Bush	1	SUS304	SUS304
12	Belleville Washer	2	SUS301	SUS301
13	Stop Washer	1	SUS304	SUS304
14	Stem Nut	1	SUS304	SUS304
15	Stem	1	SUS316	SUS304
16	Handle Nut	1	SUS304	SUS304
17	Stop Pin	1	SUS304	SUS304
18	Handle	1	CF20	CF20

Ordering Information

NH3TP	Code	Body Material	
↓	1	ASTM-A351-CF8M	2 ASTM-A351-CF8
	3	ASTM-A351-CF3M	4 ASTM-A216-WCB
↓	Code	Connection Size	
		(1) 1/4" (2) 3/8" (3) 1/2" (4) 3/4" (5) 1" (6) 1 1/4" (7) 1 1/2" (8) 2"	
↓	Code	End Connection Type	
	T	Threaded	
	S	Socket Welded End	
↓	NH3TP		Complete Ordering Code