

3-WAY ECONOMIC TYPE BALL VALVE

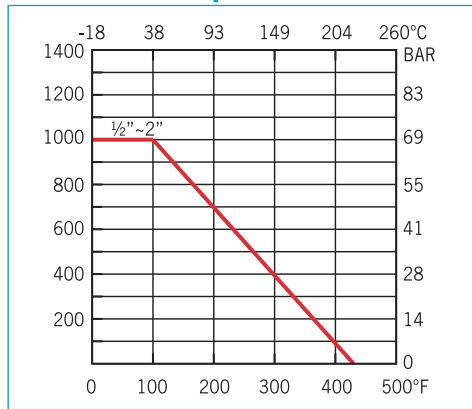
NH4T-HL SERIES – With Direct Mounting Pad

Technical Data

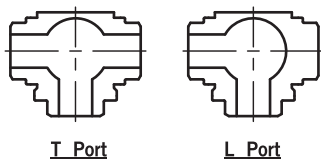
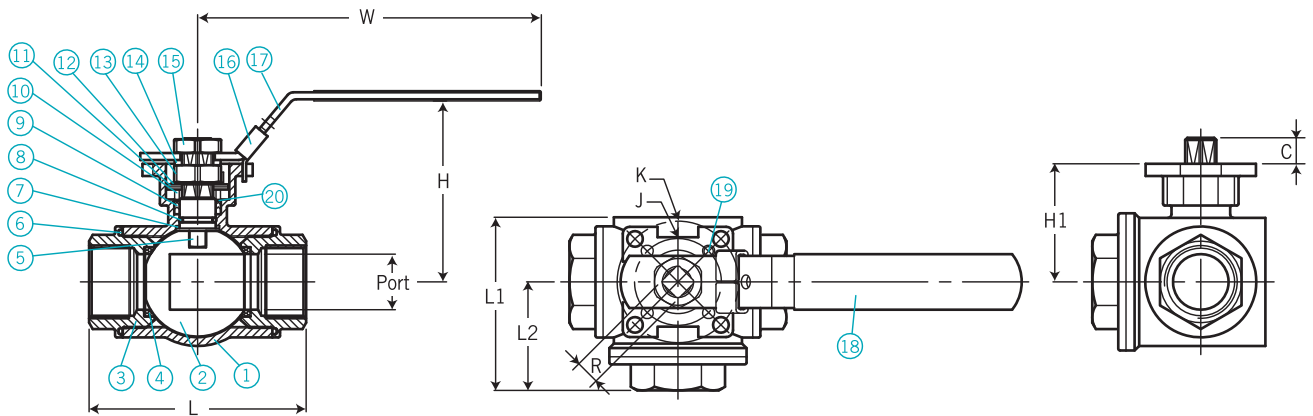
- ISO 5211 Direct Mounting Pad
 - Full Port / Reduced Port / Standard Port
 - Investment Casting
 - Design: ASME B16.34
 - Valves Inspected & Tested according to API 598 Standard
- Material:** ASTM-A351-CF8M, ASTM-A351-CF8, ASTM-A351-CF3M, ASTM-A216-WCB
- Working Pressure:** 1000WOG/PN63
- End Connectoins:** Threaded / Socket Welded End (ANSI B16.25)
- Size Ranging:** Full Port: ½"~2" (DN15~DN50);
Standard Port: ½" (DN15);
Reduced Port: ¾"~2" (DN20~DN50)
- Ball Options:** L Port / T Port
- Option:** With Locking Device



Pressure-Temperature Chart



Dimensions



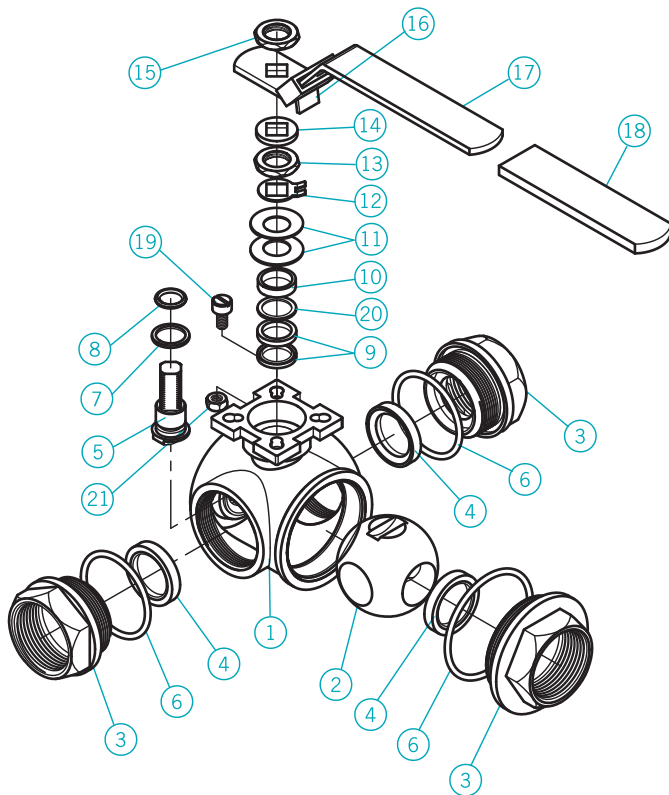
Port	Turn	0°	90°	180°	270°
L					
T					

Dimension Data

Full Port	Red. Port	Std. Port	Port	C	H	H1	J	K	L	L1	L2	R	W
1/4"			11.5	9	72	37	F03	F04	76	57	38	9	135
3/8"			12.5	9	72	37	F03	F04	76	57	38	9	135
		1/2"	12.5	9	72	37	F03	F04	76	57	38	9	135
1/2"	3/4"		16	9	75	40	F03	F04	83	62.5	41.5	9	135
3/4"	1"		20	11	84	49	F04	F05	99	76	49.5	11	200
1"	1 1/4"		25	11	90	55	F04	F05	112	89	56	11	200
1 1/4"	1 1/2"		32	14	104	68	F05	F07	125	100	62.5	14	220
1 1/2"	2"		38	14	113.5	77.5	F05	F07	149	121	74.5	14	220
2"			50	17	126	90	F07	F10	174	139	87	17	300
2 1/2"			65	17	143	101	F07	F10	192	159.5	96	17	300
3"			80	22	191	135	F10	F12	240	202.5	120	22	360

unit=mm

Parts & Material List



Material List

NO.	Description	Qty	Material	
1	Body	1	ASTM-A351-CF8M	ASTM-A216-WCB
2	Ball	1	ASTM-A351-CF8M	ASTM-A351-CF8
3	Cap	3	ASTM-A351-CF8M	ASTM-A216-WCB
4	Seat	3	PTFE	PTFE
5	Stem	1	SUS316	SUS304
6	Joint Gasket	3	Viton	Viton
7	Thrust Washer	1	PTFE	PTFE
8	O-Ring of Stem	1	Viton	Viton
9	Stem Packing	1	PTFE	PTFE
10	Gland Bush	1	SUS304	SUS304
11	Belleville Washer	2	SUS301	SUS301
12	Stop Washer	1	SUS304	SUS304
13	Stem Nut	1	SUS304	SUS304
14	Square Washer	1	SUS304	SUS304
15	Handle Nut	1	SUS304	SUS304
16	Locking Pad	1	SUS304	SUS304
17	Handle	1	SUS304	SUS304
18	Handle Cover	1	Plastic	Plastic
19	Stop Pin	1	SUS304	SUS304
20	Thrust Washer	1	PTFE 15%	PTFE 15%
21	Stop Pin Nut	1	SUS304	SUS304

Ordering Information

NH4T-HL	Code	Body Material	
	1	ASTM-A351-CF8M	2 ASTM-A351-CF8
	3	ASTM-A351-CF3M	4 ASTM-A216-WCB
		Code	Connection Size
			(3) ½" (4) ¾" (5) 1" (6) 1¼" (7) 1½" (8) 2"
		Code	End Connection Type
		T	Threaded
		S	Socket Welded End (ANSI B16.25)
NH4T-HL			
Complete Ordering Code			