

3,4,5 WAY SANITARY BALL VALVE

NH6SC-HL SERIES – With Direct Mounting Pad

Technical Data

- ISO 5211 Direct Mounting Pad
- Standard Port
- Investment Casting
- Design: ASME B16.34
- Valves Inspected & Tested according to API 598 Standard

Material: ASTM-A351-CF8M, ASTM-A351-CF3M

Working Pressure: 800WOG / PN40

End Connections: ASME BPE-2005

Size Ranging: ½"~4" (DN15~DN100);
1¼" (DN32) is not available

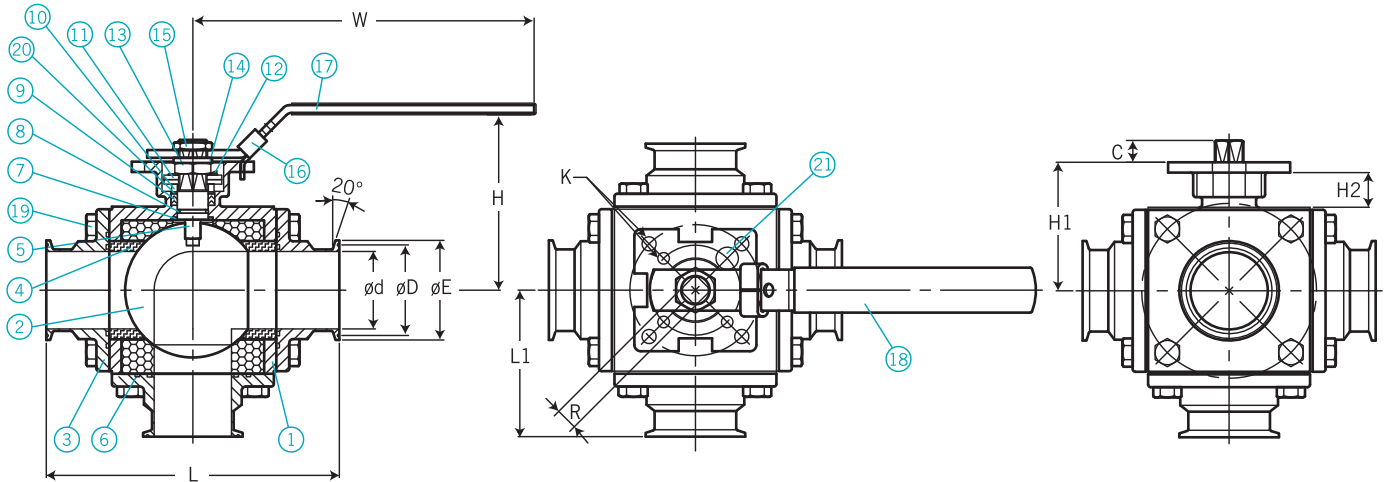
Ball Options: L Port / T Port / X Port

Ball Seat: With Cavity Filled PTFE

Option: With Locking Device



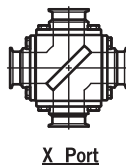
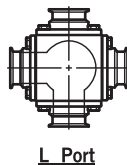
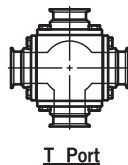
Dimensions



Dimension Data

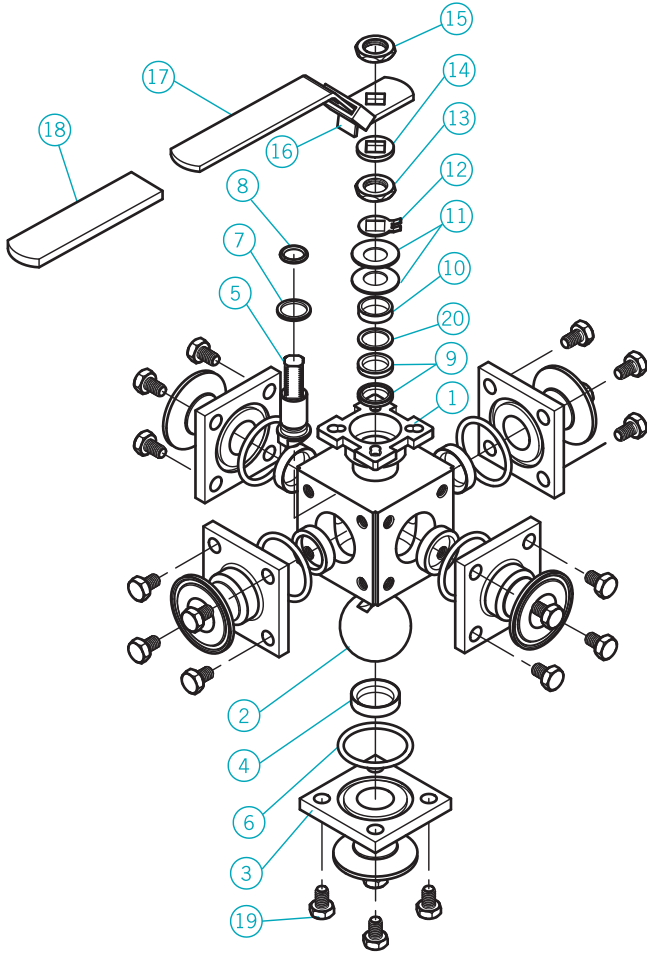
unit=mm

Size	C	ød	øD	øE	H	H1	H2	K	L	L1	R	W
1/2"	9	9.4	20.3	25	82	48	18.5	F03/F04	118	59	9	135
3/4"	9	15.8	20.3	25	87	53	20	F03/F04	127	63.5	9	135
1"	11	22.1	43.6	50.4	97	63	23	F04/F05	152.5	76.5	11	200
1½"	14	34.8	43.6	50.4	110.5	75.5	23.5	F05/F07	175	87.5	14	220
2"	14	47.5	56.3	63.9	118	83	21	F05/F07	190	95	14	240
2½"	17	60.2	70.6	77.4	135	100	27	F07/F10	228	114	17	360
3"	17	72.9	83.3	90.9	160	125	37.5	F07/F10	260	130	17	360
4"	22	97.4	110.3	118.9	184	135	38.5	F10/F12	318	159	22	400



Port	Turn	0°	90°	180°	270°
L					
T					
X					

Parts & Material List



Material List

NO.	Description	Qty	Material	
1	Body	1	ASTM-A351-CF8M	ASTM-A351-CF8M
2	Ball	1	ASTM-A351-CF8M	ASTM-A351-CF8M
3	Cap	5	ASTM-A351-CF8M	ASTM-A351-CF8M
4	Seat	5	PTFE	PTFE
5	Stem	1	SUS316	SUS304
6	Joint Gasket	5	Silicone	Silicone
7	Thrust Washer	1	PTFE	PTFE
8	O-Ring of Stem	1	Viton	Viton
9	Stem Packing	1	PTFE	PTFE
10	Gland Bush	1	SUS304	SUS304
11	Belleville Washer	2	SUS301	SUS301
12	Stop Washer	1	SUS304	SUS304
13	Stem Nut	1	SUS304	SUS304
14	Square Washer	1	SUS304	SUS304
15	Handle Nut	1	SUS304	SUS304
16	Locking Pad	1	SUS304	SUS304
17	Handle	1	SUS304	SUS304
18	Handle Cover	1	Plastic	Plastic
19	Bolt	20	SUS304	SUS304
20	Thrust Washer	1	PTFE 15%	PTFE 15%

Ordering Information

NH6SC-HL	Code	Body Material	
	1	ASTM-A351-CF8M	2 ASTM-A351-CF3M
		Code	Connection Size
			(1) 1/2" (2) 3/4" (3) 1" (4) 1 1/2" (5) 2"
			(6) 2 1/2" (7) 3" (8) 4"
		Code	End Connection Type
		A	ASME BPE-2005
		Code	Ball Option
		L	L Port
		T	T Port
		X	X Port
NH6SC-HL			

Complete Ordering Code