

3,4,5 WAY BALL VALVE

NH6T-HL SERIES – With Direct Mounting Pad

Technical Data

- ISO 5211 Direct Mounting Pad
- Standard Port
- Investment Casting
- Design: ASME B16.34
- Valves Inspected & Tested according to API 598 Standard

Material: ASTM-A351-CF8M, ASTM-A351-CF8, ASTM-A351-CF3M, ASTM-A216-WCB

Working Pressure: 800WOG / PN40

End Connections: Threaded / Socket Welded End available

Face to Face: M2 (½"~2") / S13 (2½"~4")

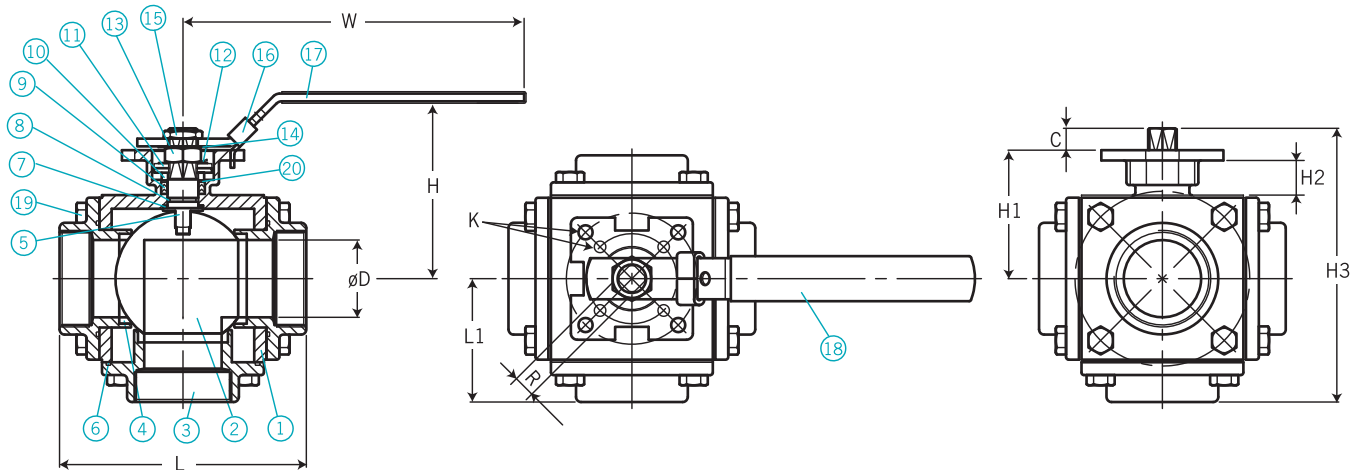
Size Ranging: ½"~4" (DN15~DN100);
1¼" (DN32) is not available

Ball Options: L Port / T Port / X Port

Option: With Locking Device



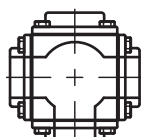
Dimensions



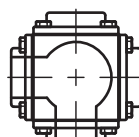
Dimension Data

unit=mm

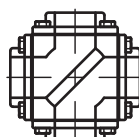
Size	C	øD	H	H1	H2	H3	K	L	L1	R	W
1/2"	9	12.5	82	48	18.5	100.5	F03/F04	87	43.5	9	135
3/4"	9	15.8	87	53	20	112	F03/F04	100	50	9	135
1"	11	22.2	97	63	23	132.5	F04/F05	117	58.5	11	200
1½"	14	35	110.5	75.5	23.5	148.5	F05/F07	150	75	14	220
2"	14	47.5	118	83	21	187	F05/F07	180	90	14	240
2½"	17	60.2	135	100	27	213	F07/F10	192	96	17	360
3"	17	73	160	125	37.5	253.5	F07/F10	222	111	17	360
4"	22	80	184	135	38.5	293	F10/F12	272	136	22	400



T Port



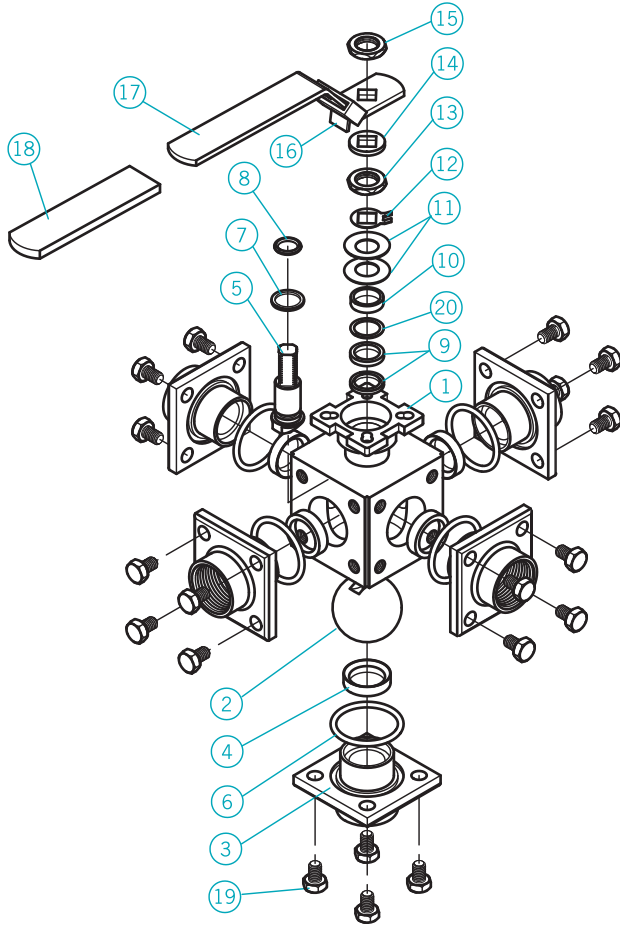
L Port



X Port

Port	Turn	0°	90°	180°	270°
L					
T					
X					

Parts & Material List



Material List

NO.	Description	Qty	Material	
1	Body	1	ASTM-A351-CF8M	ASTM-A216-WCB
2	Ball	1	ASTM-A351-CF8M	ASTM-A351-CF8
3	Cap	5	ASTM-A351-CF8M	ASTM-A216-WCB
4	Seat	5	PTFE	PTFE
5	Stem	1	SUS316	SUS304
6	Joint Gasket	5	Viton	Viton
7	Thrust Washer	1	PTFE	PTFE
8	O-Ring of Stem	1	Viton	Viton
9	Stem Packing	1	PTFE	PTFE
10	Gland Bush	1	SUS304	SUS304
11	Belleville Washer	2	SUS301	SUS301
12	Stop Washer	1	SUS304	SUS304
13	Stem Nut	1	SUS304	SUS304
14	Square Washer	1	SUS304	SUS304
15	Handle Nut	1	SUS304	SUS304
16	Locking Pad	1	SUS304	SUS304
17	Handle	1	SUS304	SUS304
18	Handle Cover	1	Plastic	Plastic
19	Bolt	20	SUS304	SUS304
20	Thrust Washer	1	PTFE 15%	PTFE 15%

Ordering Information

NH6T-HL	Code	Body Material	
	1	ASTM-A351-CF8M	2 ASTM-A351-CF8
	3	ASTM-A351-CF3M	4 ASTM-A216-WCB
		Code	Connection Size
			(1) ½" (2) ¾" (3) 1" (4) 1½" (5) 2"
			(6) 2½" (7) 3" (8) 4"
		Code	End Connection Type
		T	Threaded
		S	Socket Welded End
		Code	Ball Option
		L	L Port
		T	T Port
		X	X Port
NH6T-HL			
Complete Ordering Code			