

# FLOW SIGHT GLASS GAUGE

## NS TYPE

### Operation Principle

The flow sight glass gauge was designed for easy observation of flowing fluid from the up or down in the pipe.

### Application

#### A. Measuring the flow rate for:

- Chemical process system
- Water treatment system
- Industrial flow system

#### B. Service Condition:

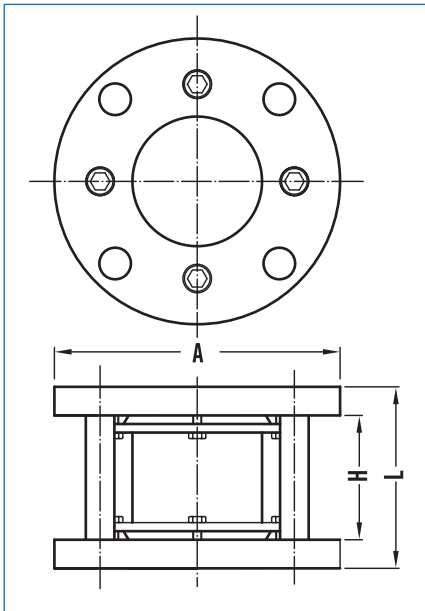
- Max working temperature: 100°C
- Max working pressure: 5 kg/cm<sup>2</sup>



Approvals:



### Dimensions



unit=mm

Range Size	DIMENSION			
	L	H	A	Flange
15A	150	122	—	½"
20A	150	122	—	¾"
25A	150	120	—	1"
32A	150	120	—	1¼"
40A	150	120	—	1½"
50A	150	120	—	2"
65A	180	140	—	2½"
80A	180	140	—	3"
100A	200	150	—	4"

### Ordering Information

NS-TYPE	Code	Model	Code	Indicating Tube Material	
↓	NSS	stainless steel wetted parts	↓	(1) Borosilicate glass (2) PC	
	NSI	steel wetted parts		Code	Seal Material
	NSV	plastic wetted parts			(1) NBR (2) Viton (3) Teflon
	Code	Size		Code	Protection Rod Material
		(1) 15A (2) 20A (3) 25A (4) 32A (5) 40A (6) 50A			(1) SS304 (2) SS316
		(7) 65A (8) 80A (9) 100A			
	Code	Connection Rating			
		(1) JIS 5K (2) JIS 10K (3) ANSI 150#			
		(4) DIN PN10			
	Code	Body (wetted parts) Material			
	(1) CS (2) SS304 (3) SS316				
	(4) PVC (5) PP (6) PVDF				
	(7) Teflon (8) Option				
NS-TYPE			+	Complete ordering code	