

2-PIECE FLANGED BALL VALVE

NV2FC300 SERIES

- ANSI 300LB Flange End
- With Direct Mounting Pad

Technical Data

- ISO 5211 Direct Mounting Pad
- Full Port
- Investment Casting
- Fire Safe Design
- Antistatic Stem
- Design: ASME B16.34
- Valves Inspected & Tested according to API 598 Standard

Material: ASTM-A351-CF8M, ASTM-A351-CF8,
ASTM-A351-CF3M, ASTM-A216-WCB

Working Pressure: ANSI Class 300

Flange Dimension: ANSI B16.5

Face to Face Dimension: ANSI B16.10

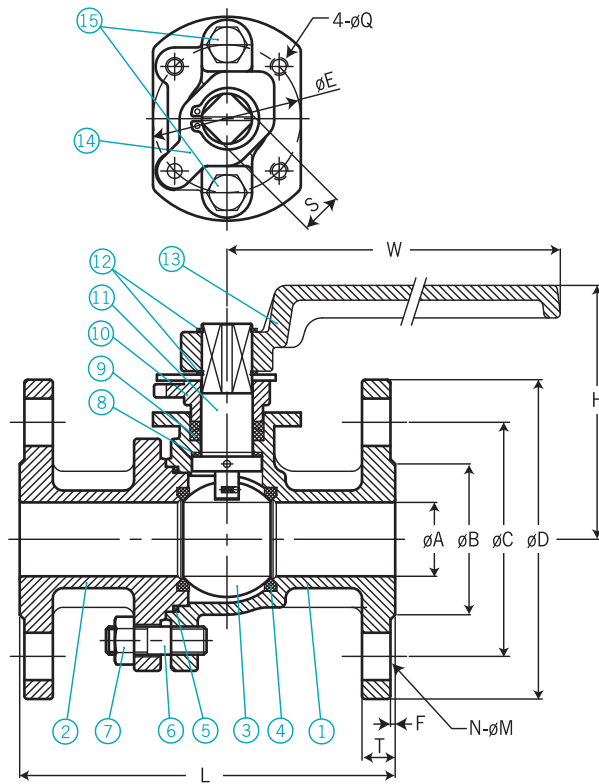
Size Ranging: 1/2"~4" (DN15 & DN100);

1 1/4" (DN32) and 2 1/2" (DN65) are not available

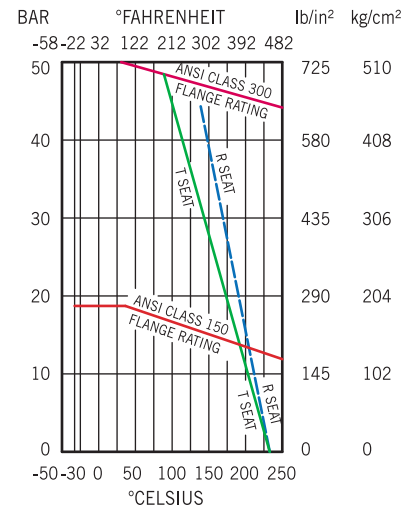
LOCKING DEVICE ON VALVE BODY
WITH FCD OPERATION



Dimensions



Pressure-Temperature Chart



Dimension Data

unit=mm

SIZE	øA	øB	øC	øD	øE	F	H	L	øM	N	Q	S	T	W
1/2"	15	35	66.5	95	F04/42	1.6	70	141	15.9	4	M5	11	14.3	130
3/4"	20	43	82.5	117	F04/42	1.6	73	153	19.1	4	M5	11	15.9	130
1"	25	51	89	124	F05/50	1.6	87	165.5	19.1	4	1/4	14	17.5	163
1 1/2"	38	73	114.3	156	F07/70	1.6	130	190.5	22.2	4	5/16	17	20.5	200
2"	50	92	127	165	F07/70	1.6	137	215.5	19.1	8	5/16	17	22.3	200
3"	80	127	168	210	F10/102	1.6	158	284.5	22.2	8	M10	22	28.4	328
4"	100	157	200	254	F10/102	1.6	173	305.5	22.2	8	M10	22	31.7	328

Parts & Material List

(For NI2FC300 only)

NO.	Description	Qty	Material	
1	Body	1	ASTM-A351-CF8M	ASTM-A216-WCB
2	Cap	1	ASTM-A351-CF8M	ASTM-A216-WCB
3	Ball	1	ASTM-A351-CF8M	ASTM-A351-CF8
4	Seat	2	PTFE	PTFE
5	Joint Gasket	1	PTFE	PTFE
6	Bolt	4-8	SUS304	SUS304
7	Nut	4-8	SUS304	SUS304
8	Thrust Washer	1	PTFE	PTFE
9	Stem Packing	1	PTFE	PTFE
10	Gland	1	SUS304	SUS304
11	Stem	1	SUS316	SUS304
12	C-Ring	2	S45C	S45C
13	Handle	1	FC 25	FC 25
14	Stopper	1	SUS304	SUS304
15	Gland Bolt	2	SUS304	SUS304
16	Gland Bolt	2	SUS304	SUS304

Ordering Information

NV2FC300	Code	Body Material	
	1	ASTM-A351-CF8M	2 ASTM-A351-CF8
	3	ASTM-A351-CF3M	4 ASTM-A216-WCB
		Code	Connection Size
			(1) ½" (2) ¾" (3) 1" (4) 1½" (6) 2" (7) 3" (8) 4"
		Code	Flange Rating
		A	ANSI Class 300
NV2FC300			
Complete Ordering Code			