

# 2-PIECE BALL VALVE NV2TH SERIES

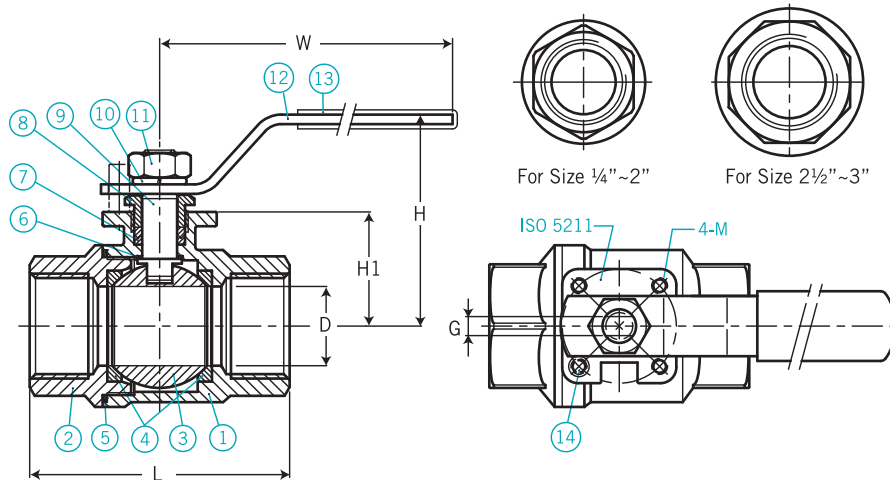
## With Mounting Pad

### Technical Data

- ISO 5211 Mounting Pad
  - Full Port
  - Valves Inspected & Tested according to API 598 Standard
  - Investment Casting
  - Design: ASME B16.34
- Material:** ASTM-A351-CF8M , ASTM-A351-CF8, ASTM-A351-CF3M , ASTM-A216-WCB
- Working Pressure:** ¼"~2" 1000 WOG; 2½"~3" 800 WOG
- Size Ranging:** ¼"~3" (DN8~DN80)
- End Connections:** DIN2999 / DIN259 / BSPT / NPT
- Options:** Locking Device

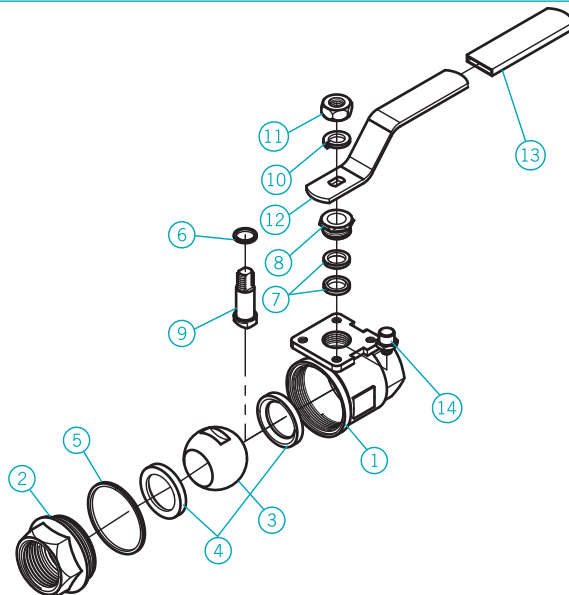


### Dimensions & Material List



#### Dimension Data-mm

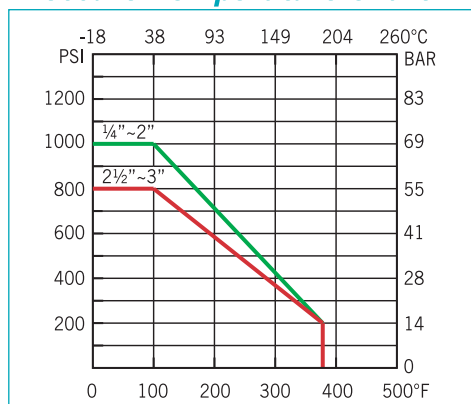
SIZE	G	D	H	H1	L	M	ISO5211	W
1/4"	5.5	11.5	56	25	58	M5	F03/ø36	123
3/8"	5.5	12.5	56	25	58	M5	F03/ø36	123
1/2"	5.5	15	59	28	62	M5	F03/ø36	123
3/4"	5.5	20	62	31	70	M5	F03/ø36	123
1"	6.3	25	68	36	81.5	M6	F04/ø42	132
1¼"	6.3	32	88	42	96	M6	F05/ø50	151
1½"	9.6	38	100	55	111	M6	F05/ø50	186
2"	9.6	50	108	63	126	M6	F05/ø50	186
2½"	9.6	65	125	75	155	M8	F07/ø70	226
2"	12.2	80	136	86	181	M10	F10/ø102	269



#### Material List

NO.	Description	Qty	Material	
1	Body	1	ASTM-A351-CF8M	ASTM-A216-WCB
2	Cap	1	ASTM-A351-CF8M	ASTM-A216-WCB
3	Ball	1	ASTM-A351-CF8M	ASTM-A351-CF8
4	Seat	2	PTFE	PTFE
5	Joint Gasket	1	PTFE	PTFE
6	Thrust Washer	1	PTFE	PTFE
7	Stem Packing	1	PTFE	PTFE
8	Gland Nut	2	SUS304	SUS304
9	Stem	1	SUS316	SUS304
10	H-Spring Washer	1	SUS304	SUS304
11	Handle Nut	1	SUS304	SUS304
12	Handle	1	SUS304	SUS304
13	Handle Cover	1	Plastic	Plastic
14	Stop Pin	1	SUS304	SUS304

### Pressure-Temperature Chart



### Ordering Information

NV2TH	Code	Body Material	
↓	1	ASTM-A351-CF8M	2 ASTM-A351-CF8
↓	3	ASTM-A351-CF3M	4 ASTM-A216-WCB
↓	Code	Connection Size	
↓		(1) ¼" (2) ⅜" (3) ½" (4) ¾" (5) 1" (6) 1¼"	
↓		(7) 1½" (8) 2" (9) 2½" (10) 3"	
↓	Code	End Connection Type	
↓		(A) DIN2999 (B) DIN259 (C) BSPT (D) NPT	
NV2TH			Complete Ordering Code