

SANITARY 3 WAYS BALL VALVE – With High Position Pad

NY-4H-B – BUTT WELD NY-4H-C – T-CLAMP

Technical Data

Full Port, 4 piece type- Inside port finish Ra ≤ 0.4

Material: Wetted parts ASTM A351 CF8M / 316

Connection Size: ½”(15mm), ¾”(20mm), 1”(25mm), 1½”(40mm),
2”(50mm), 2½”(65mm), 3”(80mm), 4”(100mm)

Connection Type: Clamp & Tube butt weld ends available

ISO 5211 Mounting Pad- High position pad

Locking Device: Valve operated locking in open or closed position

Blow-Out Proof Stem & Solid Ball

Working Temperature Limited: -20°F ~ 350°F (-5°C ~ 175°C)

Working Pressure Limited: 1000psi (70kg/cm²) for ½”~1”;
800psi (56kg/cm²) for 1½”~2”;
600psi (42kg/cm²) for 2½”~4”

Valves inspected and tested according to API 598 standard.

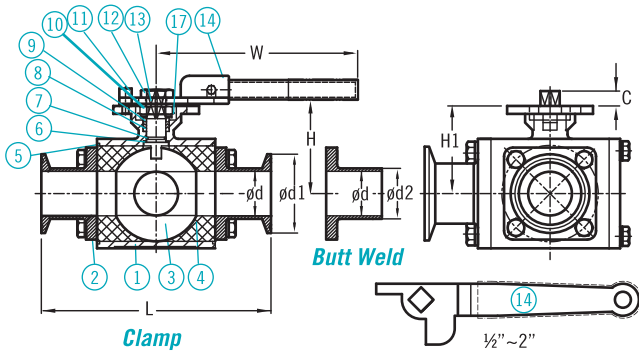


NY-4H-B



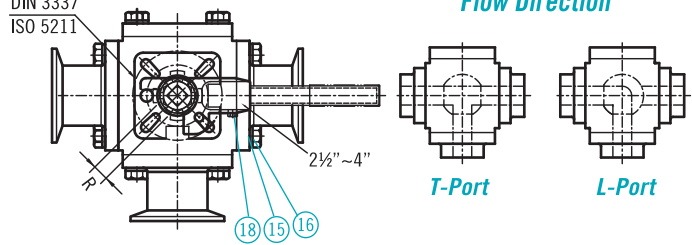
NY-4H-C

Dimensions



DIN 3337
ISO 5211

Flow Direction



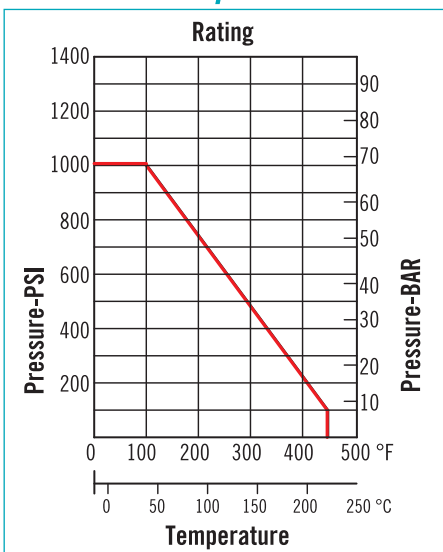
unit=mm

mm	Size inch	ISO-5211	W	H	H1	C	L	Ød	Ød1	Ød2	R	TORQUE Inch/Lbs
15	½	F03 / F04	121	78	44.5	9	118	9.5	25.4	12.7	9	79
20	¾	F03 / F04	121	82	48	9	127	15.8	25.4	19.1	9	85
25	1	F04 / F05	137	90	59	11	152.4	22.2	50.4	25.4	11	110
40	1½	F05 / F07	182	110	72	14	175	35	50.4	38.2	14	290
50	2	F05 / F07	182	114.7	82	14	180	47.6	63.9	50.8	14	680
65	2½	F07 / F10	370	108	100	17	228	60.2	77.5	63.4	17	1060
80	3	F10 / F12	400	134	125.5	23	260	73	90.9	76.2	22	1770
100	4	F10 / F12	400	140	132.5	23	318	97.4	118.9	101.6	22	1900

Parts List

Item	Parts Name	Material	Item	Parts Name	Material
1	Body	ASTM A351 CF8M / 316	10	Bevel Washer	AISI 304
2	Cap	ASTM A351 CF8M / 316	11	Stop Pin	AISI 316
3	Ball	ASTM A351 CF8M / 316	12	Nut	AISI 304
4	Seat	PTFE	13	Stem	AISI 316
5	Gasket	PTFE	14	Handle	AISI 304
6	Thrust Washer	PTFE	15	Spring Washer	AISI 304
7	O-Ring	Viton	16	Bolt	AISI 304
8	Stem Packing	PTFE	17	Prevaling Device	AISI 304
9	Ring	AISI 304	18	Nut	AISI 304

Pressure–Temperature



Ordering Information

NY-4H	Code	Model
↓	B	Butt Weld Ends
	C	T-Clamp
	Code	Body Material
	S	CF8M / SS316
	Code	Connection Size
↓	(A) ½” (B) ¾” (C) 1” (D) 1½” (E) 2” (F) 2½” (G) 3” (H) 4”	
	Code	Flow Direction
↓	T	T- Port
	L	L- Port
NY-4H		

Complete Ordering Code