

# ORIFICE PLATE TYPE FLOWMETER

## OPF200

### Principle

An orifice plate creates differential pressure when fluids flow through the plate in a pipe. The differential pressure corresponds to flow rate a small orifice plate locate on between high and low side in by pass tube which created small flow and corresponds proportional to mainflow. showing flow rate on meter tube float.

### Technical Data

**Mounting in pipe:** Vertical or Horizontal available

**Fluid:** Liquid, Water

**Size:** 40A(1½"), 50A(2"), 65A(2½"), 80A(3")

**Flow Rate:** 110 L/Min ~ 330 (x10) L/Min

**Material:** Body- FCD

Orifice Plate- SS304

Meter Tube- Borosilicate Glass

Float- SS304

By-Pass Tube- SS304

Filiter- SS304

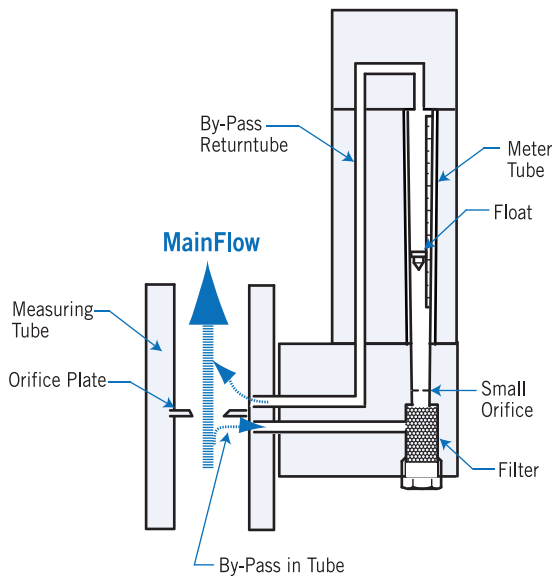
**Max. Pressure Limit:** 6 kg/cm<sup>2</sup> (0.6 MPa)

**Max. Temperature Limit:** 90°C

### Approvals:

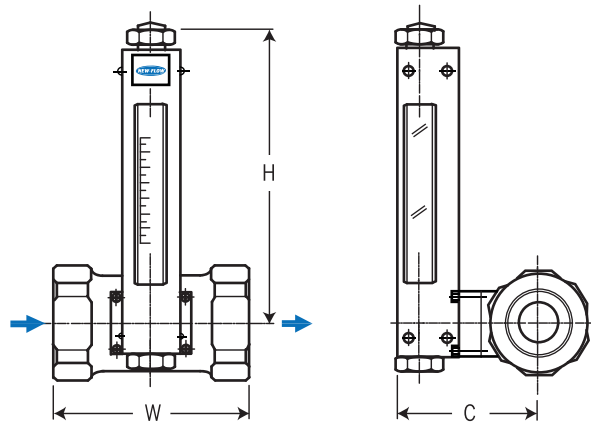


### Principle & Parts List

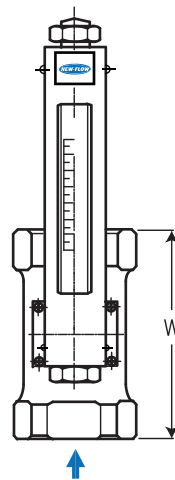


### Dimensions

#### (A) Flow Direction: Horizontal



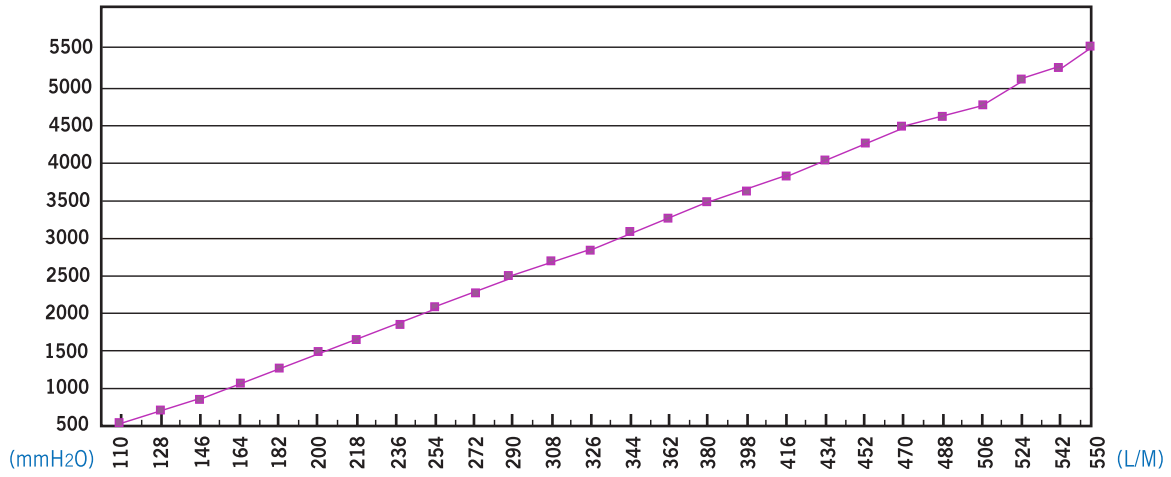
#### (B) Flow Direction: Vertical



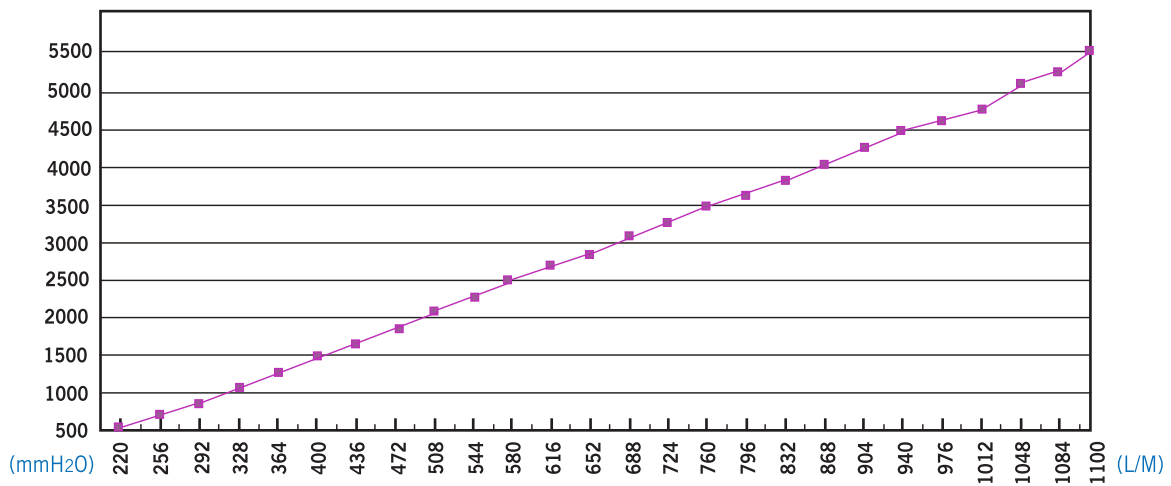
Range Size	DIMENSION		
	W	H	C
40A	120	190	62
50A	120	190	70
65A	120	190	78
80A	120	190	90

## Flow Rate Curve

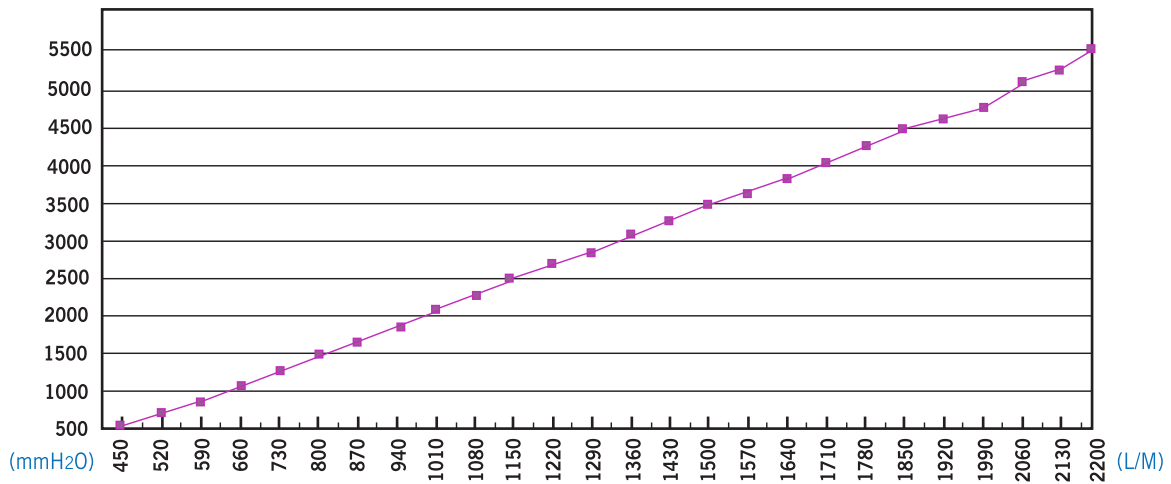
**A. 40A (1½")**



**B. 50A (2")**

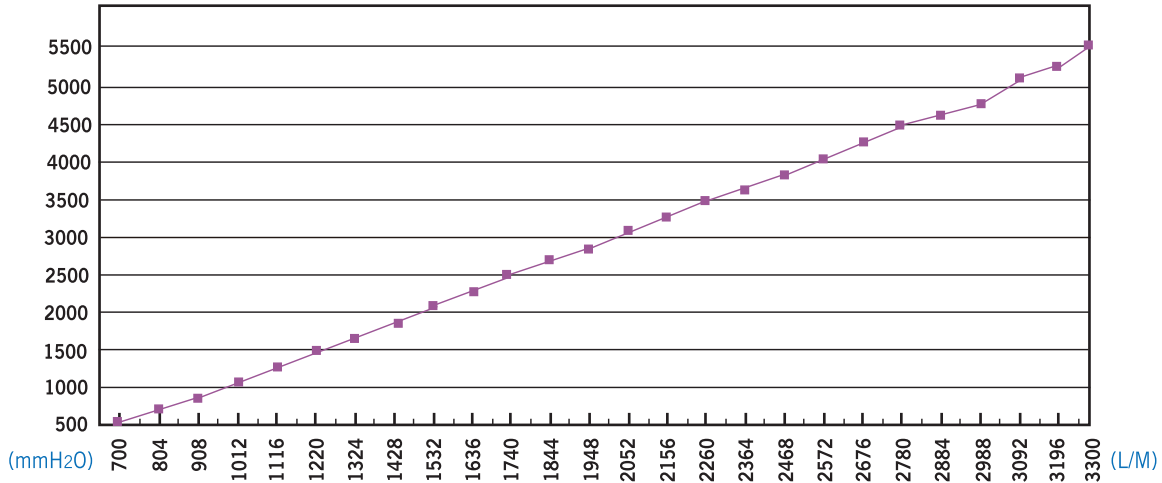


**C. 65A (2½")**



## Flow Rate Curve

### D. 85A (3")



## Ordering Information

OPF200	Code	Process Connection
<div style="display: flex; flex-direction: column; align-items: center;"> <div style="margin-bottom: 10px;">↓</div> <div style="margin-bottom: 10px;">↓</div> <div>↓</div> </div>		(A) 40A (1½") (B) 50A (2") (C) 65A (2½") (D) 80A (3")
	Code	Flow Rate
	A	110~550 L/M (40A)
	B	22~110 (x10) L/M (50A)
	C	45~220 (x10) L/M (65A)
D	70~330 (x10) L/M (80A)	
OPF200	<input type="text"/>	<input type="text"/>

**Complete Ordering Code**