

PRESSURE GAUGE WITH MICRO SWITCH WEATHER PROOF TYPE PIS5000

Proof Pressure to 40 MPa (400 kg/cm²)
Measuring Range: 0~(-1) kg/cm² ;
1~400 kg/cm² Available

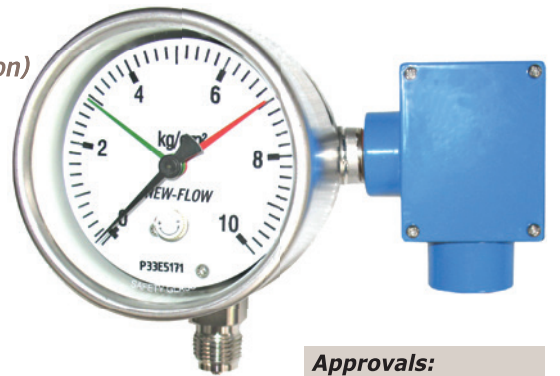
Technical Data

- Dial:** ø4", ø6" available
- Material:** Bourdon tube SS316; Wetted parts SS316
- Housing:** SS304; option SS316 on request
- Protection Class:** IP66
- Lens:** Safety glass
- Blow-out:** Back ø25mm (1")
- Pressure Limited:** Over range protected 130% of full scale range
- Accuracy:** Gauge indication ±1.0% F.S
- Span Range & Zero Adjustable**
- Process Connection:** ½"NPT male Bottom or Back connection ;
option with adaptor available
- Electronic Connection:** DIN43650, Universal plug connector ;
option with adaptor available
- Switch Form:** One setting point: SPDT x 1 ;
Two setting points: SPDT x 2 available

NOTE. Negative pressure only 「one setting point」 available.

- Set Point:** Full scale range available
- Switch Dead Band:** Please check the *Range Selection Table* for SPDT x 1 & SPDT x 2
- Switch Data:**

	AC Load	DC Load
Nominal Operating Voltage	250 VAC max.	28 VDC max.
Current	5A max.	5A max. (ohmic load) 3A max. (inductive load)
Contact Material	Pure silver 999.9	Pure silver 999.9
Ambient Temperature	-20°C~+70°C	-20°C~+70°C



Approvals:

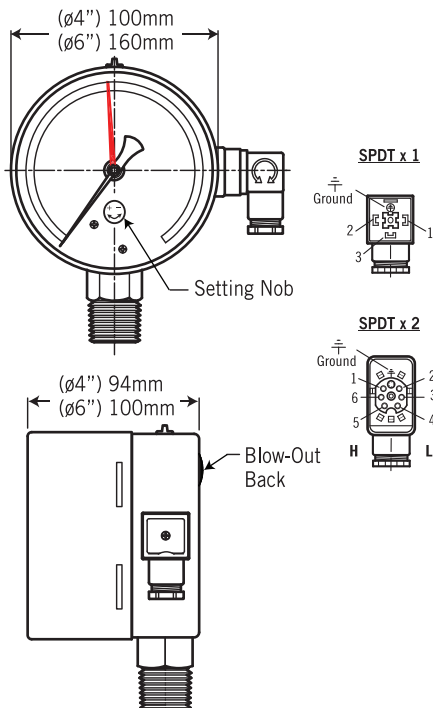


Patent No.

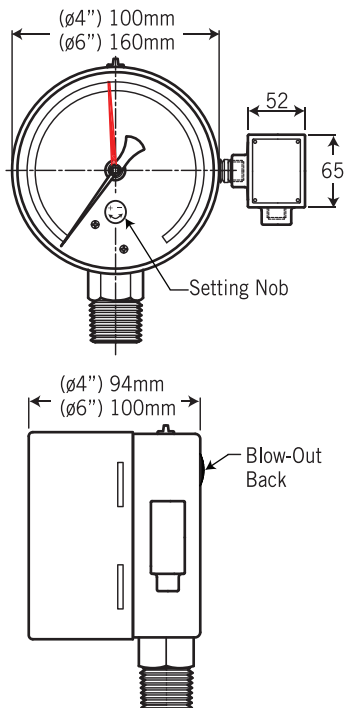
M337067

Dimensions-mm

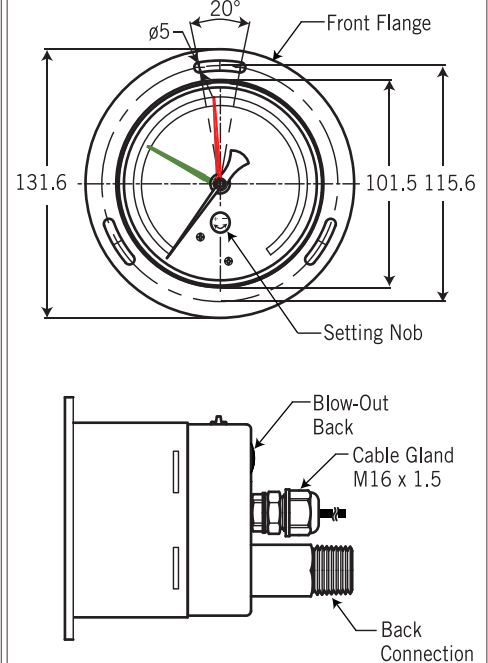
1. Connection Size: ½"NPT male, Bottom
Conduit: Plug universal connector,
M20 x 1.5 cable connection



2. Connection Size: ½"NPT male, Bottom
Conduit: ½"NPT female



3. Connection Size: ½"NPT male, Back
Cable Gland: M16 x 1.5



NOTE.: Please contact with the manufacturer for the dimensions of ø6" front flange.

Range Selection Table – KG/CM²

Code	Range	Dead Band		Code	Range	Dead Band		Code	Range	Dead Band		Code	Range	Dead Band	
		SPDTx1	SPDTx2			SPDTx1	SPDTx2			SPDTx1	SPDTx2			SPDTx1	SPDTx2
000	0-(-1)	±2.5%		004	0-4	±2%	±4%	008	0-20	±2%	±2%	012	0-100	±2%	±2%
001	0-1	±2%	±5%	005	0-6	±2%	±2%	009	0-25	±2%	±2%	013	0-160	±2%	±2%
002	0-1.6	±2%	±4%	006	0-10	±2%	±2%	010	0-40	±2%	±2%	014	0-250	±2%	±2%
003	0-2.5	±2%	±4%	007	0-16	±2%	±2%	011	0-60	±2%	±2%	015	0-400	±2%	±2%

NOTE.: 1. Scale Unit: MPa, Kg/Cm², Bar available
 2. 1 bar= 0.1 MPa, 1 bar= 1.01972 kg/cm², 1 Pa= 1 x 10⁻⁶ MPa, 1 MPa= 10.197 kg/cm²
 3. Negative pressure only "one setting point" available.

Ordering Information

WWW.NEW-FLOW.COM • TEL: 886-7-8135500 • FAX: 886-7-8225588 • Email: info@new-flow.com	PIS5000	Code	Dial Size							
		A	ø4"	B	ø6"					
		Code	Type							
		1	Bottom Connection Type	2	Back Connection Type (panel mounting)					
		Code	Process Connection - Male Thread							
			(1) ½" BSP(PF)	(2) ½" NPT	(3) Option (with adaptor)					
		Code	Conduit Connection							
		A	½" NPT female							
		B	DIN 43650 (one setting point)							
		C	Plug universal connector, M20 x 1.5 cable connection (two setting point)							
		D	Cable Gland M16 x 1.5 (for back connection, panel mounting only)							
		Code	Material							
		S	SS316							
		Code	Micro Switch							
		1	One setting point SPDT x 1							
	2	Two setting point SPDT x 2								
	Code	Measuring Range								
		Please refer to the Range Selection Table and fill in the request range.								
	PIS5000									Complete Ordering Code