

# SEAL & CONDENSATE POT

## POT-2 SERIES

### Technical Data

**Material:** SS316, SS304, Steel; option available  
**Pipe Rating:** SCh80S; option available  
**Max. Pressure:** 3000psi; option available



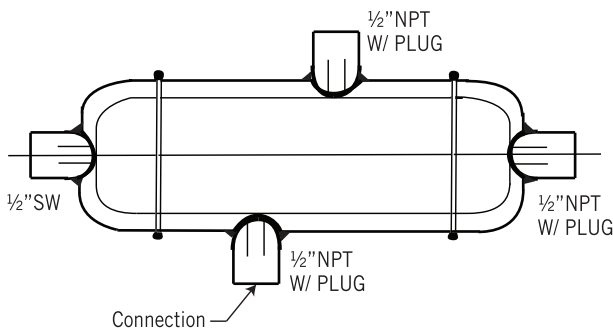
Approvals:



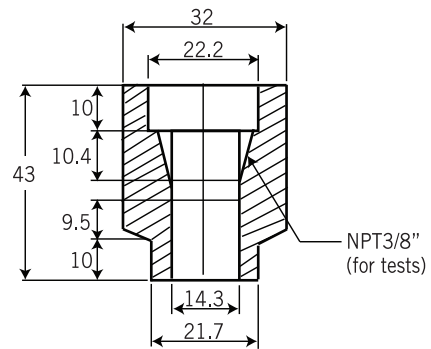
### Dimension

Type: Pot-2

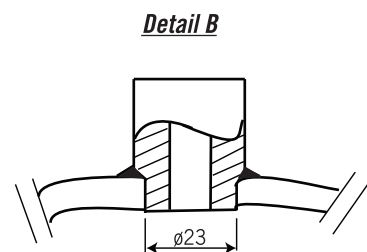
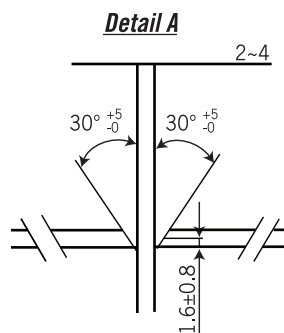
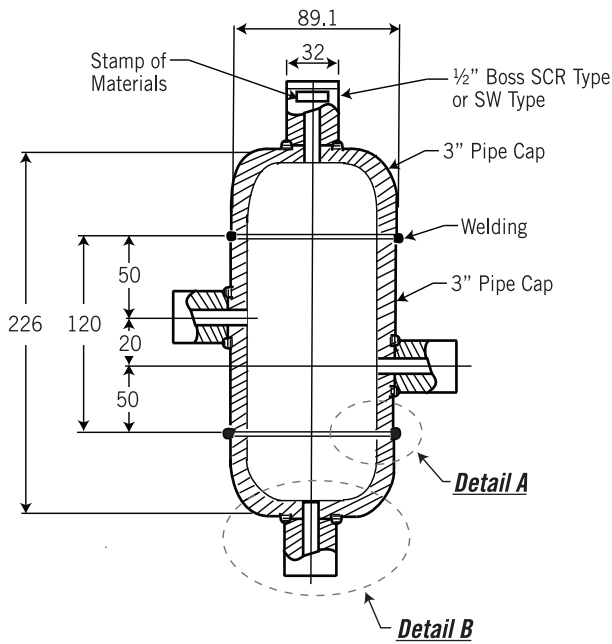
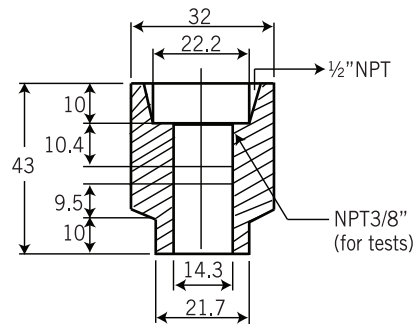
#### SEAL & CONDENSATE POT



#### SW TYPE BOSS



#### SCR TYPE BOSS



unit=mm

## Ordering Information

POT-2	Code	Material
	<b>A</b>	Steel
	<b>B</b>	SS304
	<b>C</b>	SS316
	<b>O</b>	option
	<b>Code</b>	<b>Pipe Rating</b>
	<b>1</b>	SCh40S
	<b>2</b>	SCh80S
	<b>Code</b>	<b>Tube Type</b>
	<b>1</b>	Seam
	<b>2</b>	Seamless
	<b>Code</b>	<b>Connection</b>
	<b>1</b>	½"NPT Female
	<b>2</b>	option

POT-2					Complete ordering code
-------	--	--	--	--	------------------------