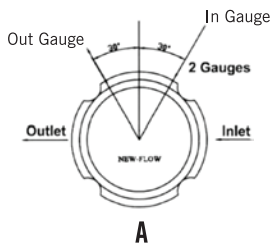


# PRESSURE REDUCING REGULATOR TWO STAGE TYPE PRU110

## Technical Data

For using gas and liquid  
**Inlet pressure:** 3500 psig (241 kg/cm<sup>2</sup>)  
**Adjustable outlet pressure in ranges:** 25, 50, 100, 150, 250 Psig  
**Operating temperature:** -20°C to 74°C  
**Diaphragm material:** 316L stainless steel  
**Body material:** 316L stainless steel  
**Bonnet material:** 316L stainless steel  
**Seat material:** Teflon  
**Process connection:** ¼" NPT female  
**Two gauge connection ports are:** ¼" NPT female  
**CV flow coefficients:** 0.06 Cv  
**Leakage:** Internal: Bubble-Tight

## Standard Port Configuration

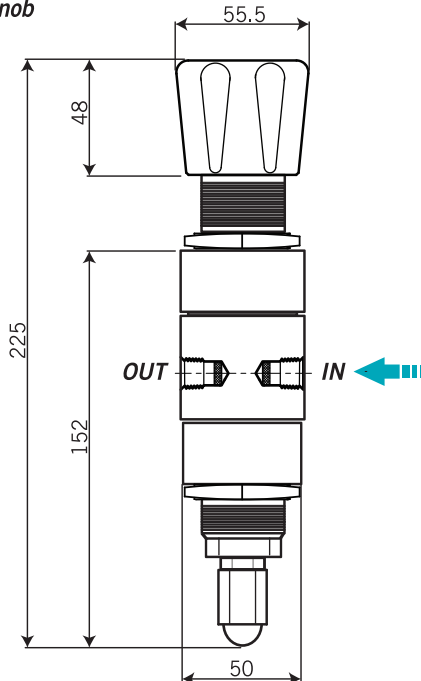


Approvals:

CE 1128

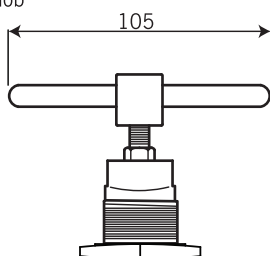
## Dimensions

### Plastic Knob



### Metal Knob

Flat-Head knob



Option:



Hexagonal Knob

unit=mm

## Ordering Information

PRU110	Code	Body Material
	1	316L stainless steel
		<b>Code Knob Material</b>
	A	Plastic
	B	Metal (Flat-Head)
	C	Metal (Hexagonal)
		<b>Code Max. Inlet Pressure</b>
	1	3500 psig
		<b>Code Outlet Pressure Range</b>
	1	0-25 Psig
	2	0-50 Psig
	3	0~100 Psig
	4	0~150 Psig
	5	0~250 Psig
		<b>Code Seat Mateiral</b>
	A	Teflon
		<b>Code Port Configuration</b>
		A

PRU110						
--------	--	--	--	--	--	--