

HIGH PRESSURE REDUCING REGULATOR

PRU150 – Piston Type

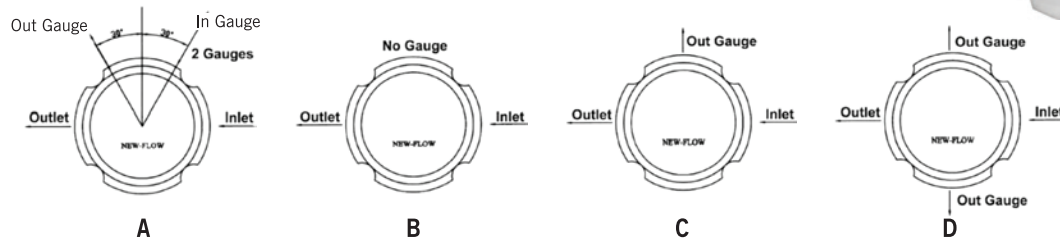
Technical Data

For using gas and liquid
Inlet pressure: 6000 psig (414 kg/cm²)
Adjustable outlet pressure in ranges: 1136 psig (0~80 kg/cm²), 2500 psig (0~172 kg/cm²)
Operating temperature: -25°C to 75°C
Body material: 316L stainless steel
Bonnet material: 316L stainless steel
Seat material: Peek
O-Ring: Viton
Back-Up Ring: Viton
Process connection: ¼" NPT female
Two gauge connection ports are: ¼" NPT female
CV flow coefficients: 0.06 Cv
Leakage: Bubble-Tight

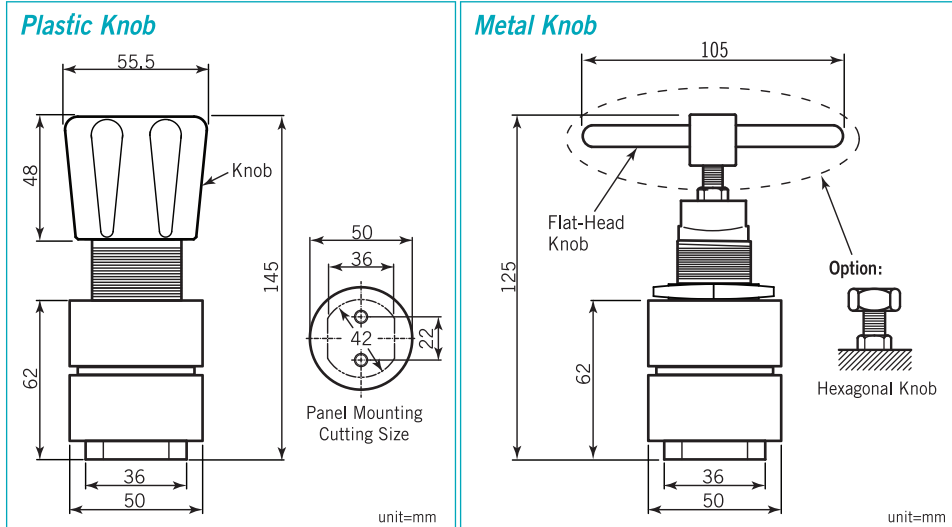


Approvals:
CE 1128

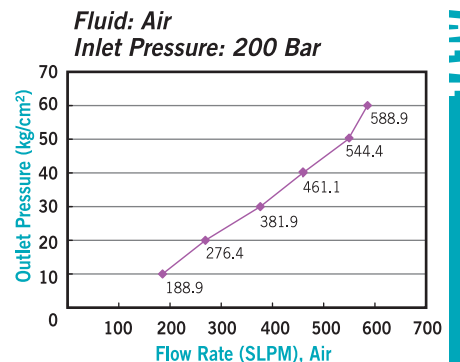
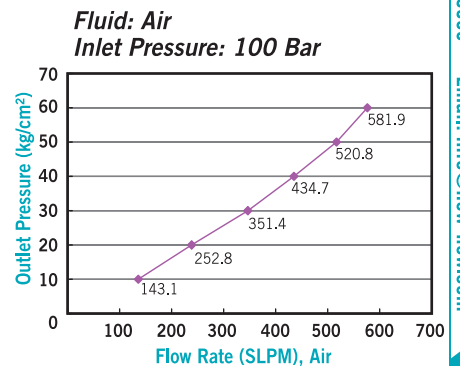
Standard Port Configuration



Dimensions



Curve Table



Ordering Information

PRU150	Code	Body Material
	1	316L stainless steel
		Code Knob Material
	A	Plastic
	B	Metal (Flat-Head)
	C	Metal (Hexagonal)
		Code Max. Inlet Pressure
	1	6000 psig
		Code Outlet Pressure Range
	1	1136 psig (0~80kg/cm ²)
	2	2500 psig (0~172kg/cm ²)
		Code Seat Material
	A	Peek
		Code Port Configuration
		A B C D
PRU150		Complete Ordering Code