

HIGH PRESSURE REDUCING REGULATOR

PRU175 – Piston Type

Technical Data

For using gas and liquid
Inlet pressure: 6000 psig (414 kg/cm²)
Adjustable outlet pressure in ranges: 1136 psig (0~80 kg/cm²),
 2500 psig (0~172 kg/cm²)
Operating temperature: -25°C to 75°C
Body material: 316L stainless steel
Bonnet material: 316L stainless steel
Seat material: PCTFE
O-Ring: Viton
Back-Up Ring: Viton
Process connection: ½" NPT female
Two gauge connection ports are: ¼" NPT female
CV flow coefficients: 0.2 Cv
Leakage: Bubble-Tight

Approvals:

CE 1128

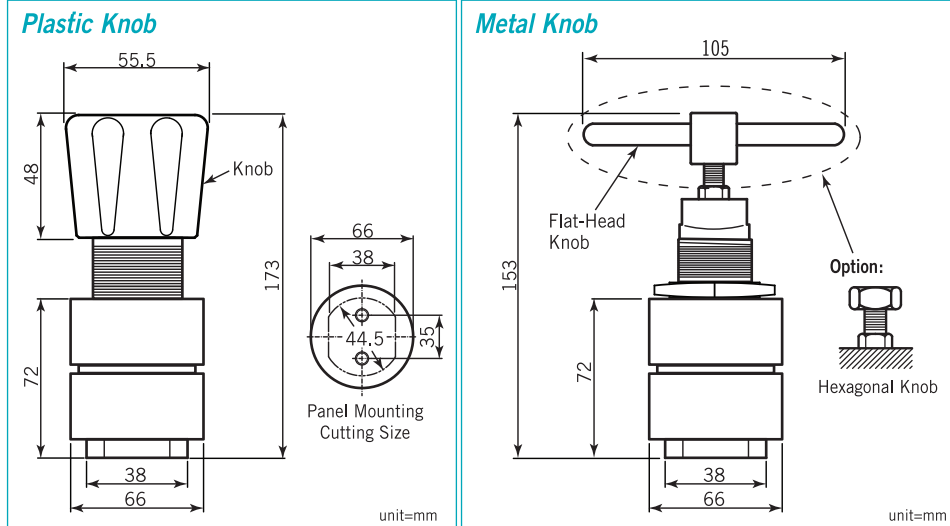


Plastic Knob

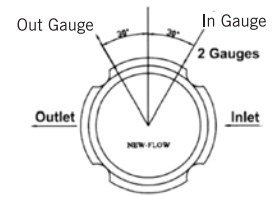


Metal Knob

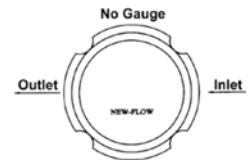
Dimensions



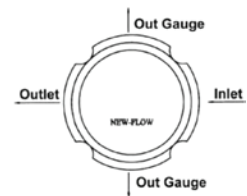
Standard Port Configuration



A



B



D

Ordering Information

PRU175	Code	Body Material					
	1	316L stainless steel					
	A	Code	Knob Material				
		A	Plastic	B	Metal (Flat-Head)	C	Metal (Hexagonal)
		Code	Max. Inlet Pressure				
	1	6000 psig					
	1	Code	Outlet Pressure Range				
		1	1136 psig (0~80kg/cm ²)	2	2500 psig (0~172kg/cm ²)		
	A	Code	Seat Material				
		A	PCTFE				
A	Code	Port Configuration					
	A	A type					
	B	B type					
D	D type						
Complete Ordering Code							