

PRESSURE REDUCING REGULATOR

PRU200

Technical Data

For using gas and liquid
 Inlet pressure: 600, 3500 Psig maximum
 Adjustable outlet pressure in ranges: 150, 250, 500 Psig
 Operating temperature: -40 to 175°C
 Diaphragm material: 316L stainless steel
 Body material: 316L stainless steel
 Seat material: PTFE, PFA available
 CV flow coefficients: 1.0
 Process connection: ½”NPT female
 Two gauge connection ports are: ¼”NPT female
 Use no oil: available



Plastic Knob

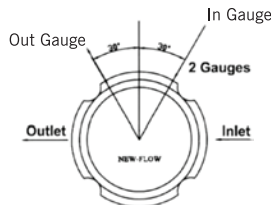


Metal Knob

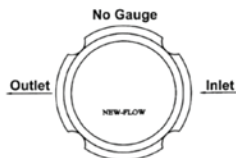
Approvals:

CE 1128

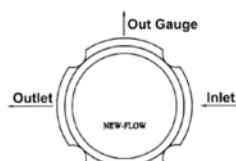
Standard Port Configuration



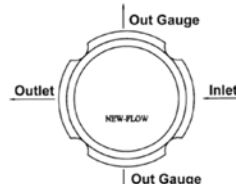
A



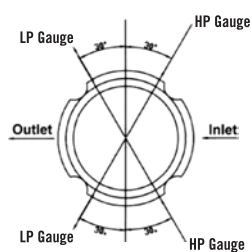
B



C

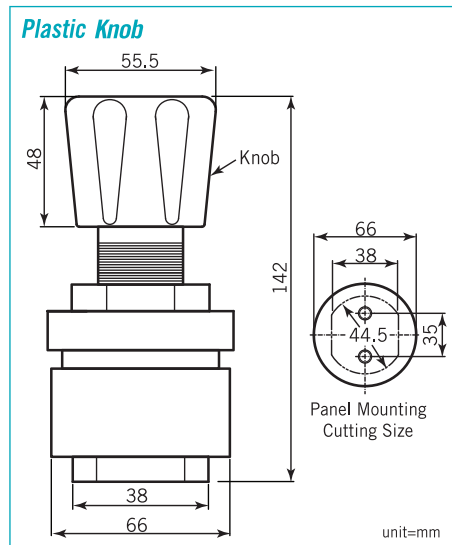


D

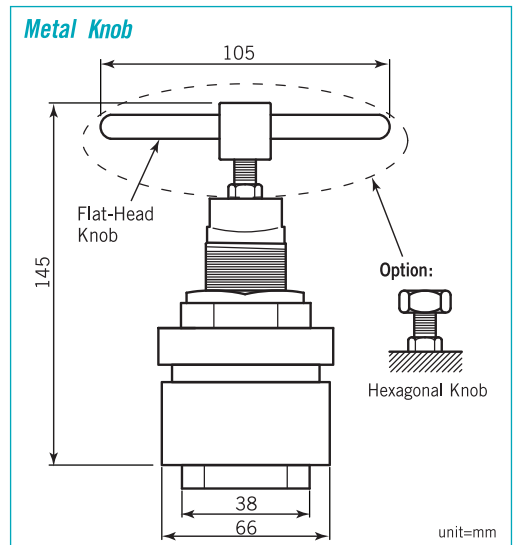


E

Dimensions



unit=mm



unit=mm

Ordering Information

PRU200	Code	Body material					
	1	316L stainless steel					
	A	Code	Knob material				
		A	Plastic	B	Metal(Flat-Head)	C	Metal(Hexagonal)
		Code	Max. inlet pressure				
	1	600 Psig					
	2	3500 Psig					
	1	Code	Outlet pressure range				
		1	2-150 Psig	2	3-250 Psig	3	5-500 Psig
		Code	Seat material				
A	Teflon (Max. inlet pressure 600 Psig)						
B	PFA (Max. inlet pressure 3500 Psig)						
A	Code	Port Configuration					
		A	B	C	D	E	
PRU200							Complete Ordering Code