

PRESSURE REDUCING REGULATOR

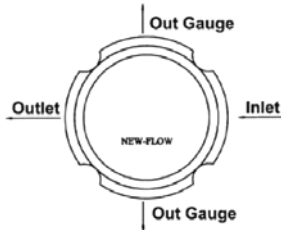
PRU300

Technical Data

For using gases and liquids
Inlet pressure: 1.5 Mpa maximum
Adjustable outlet pressure in ranges:
 0.01~0.2 Mpa (0.1~2 kg/cm²)
 0.05~0.7 Mpa (0.5~7 kg/cm²)
Operating temperature: -5 to 60°C
Diaphragm material: Viton with PTFE lining
Body material: SS316
Seat material: PTFE
Handle wheel material: SS
Effective flow area: 4.0 mm
Process connection: ¼" NPT female
Two gauge connection ports are: ¼" NPT female
CV: 0.35

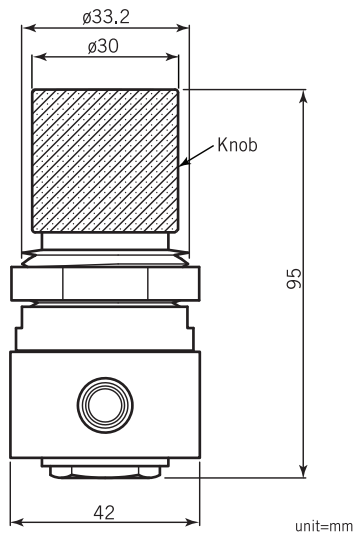


Standard Port Configuration

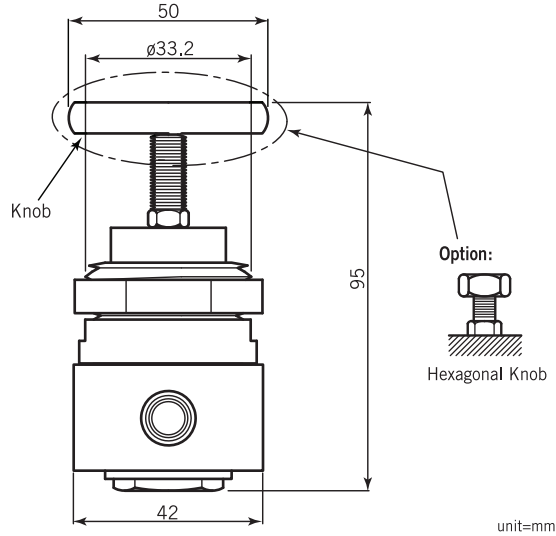


Dimensions

Round Knob



Flat-Head Knob



Ordering Information

PRU300	Code	Body & Knob material				
	1	316 stainless steel				
	A	Code	Knob type			
		A	Round	B	Metal(Flat-Head)	C
	1	Code	Max. inlet pressure			
		1	1.5 Mpa (15 kg/cm ²)			
1	Code	Outlet pressure range				
	1	0.01~0.2 Mpa (0.1~2 kg/cm ²)	2	0.05~0.7 Mpa (0.5~7 kg/cm ²)		
PRU300					Complete Ordering Code	