

# PRESSURE REDUCING REGULATOR

## PRU350

### Technical Data

For using gases and liquids

Inlet pressure: 1.5 Mpa maximum

Adjustable outlet pressure in ranges:

0.01~0.2 Mpa (0.1~2 kg/cm<sup>2</sup>)

0.05~0.7 Mpa (0.5~7 kg/cm<sup>2</sup>)

Operating temperature: -5 to 60°C

Diaphragm material: Viton with PTFE lining

Body material: SS316

Seat material: PTFE

Handle wheel material: SS

Effective flow area: 8.0 mm

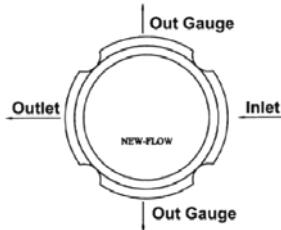
Process connection: ½"NPT female

Two gauge connection ports are: ¼"NPT female

CV: 0.6

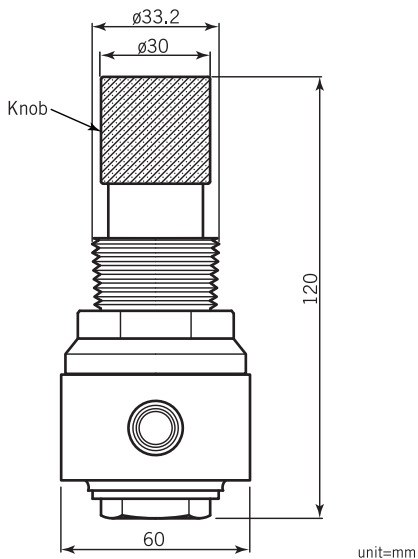


### Standard Port Configuration

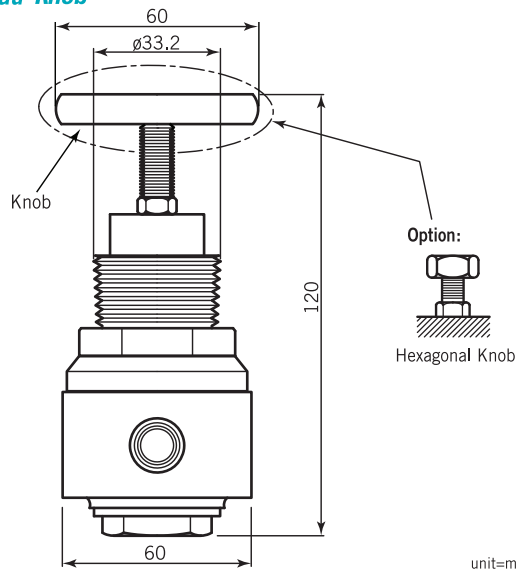


### Dimensions

#### Round Knob



#### Flat-Head Knob



### Ordering Information

PRU350	Code	Body & Knob material					
	1	316 stainless steel					
		Code	Knob type				
		A	Round	B	Metal(Flat-Head)	C	Metal(Hexagonal)
		Code	Max. inlet pressure				
		1	1.5 Mpa (15 kg/cm <sup>2</sup> )				
		Code	Outlet pressure range				
		1	0.01~0.2 Mpa (0.1~2 kg/cm <sup>2</sup> )		2	0.05~0.7 Mpa (0.5~7 kg/cm <sup>2</sup> )	
PRU350						Complete Ordering Code	