

PRESSURE REDUCING REGULATOR

PRU400

Technical Data

For using gases and liquids

Inlet pressure: 1.5 MPa maximum

Adjustable outlet pressure in ranges: 0.05~0.5 MPa (0.5~5 kg/cm²);
0.2~1 MPa (2~10 kg/cm²)

Operating temperature: -5 to 60°C

Diaphragm material: Viton with PTFE lining for 0.5~5 kg/cm²;
SS316 for 2~10 kg/cm²

Body material: SS316

Seat material: PTFE

Handle wheel material: SS

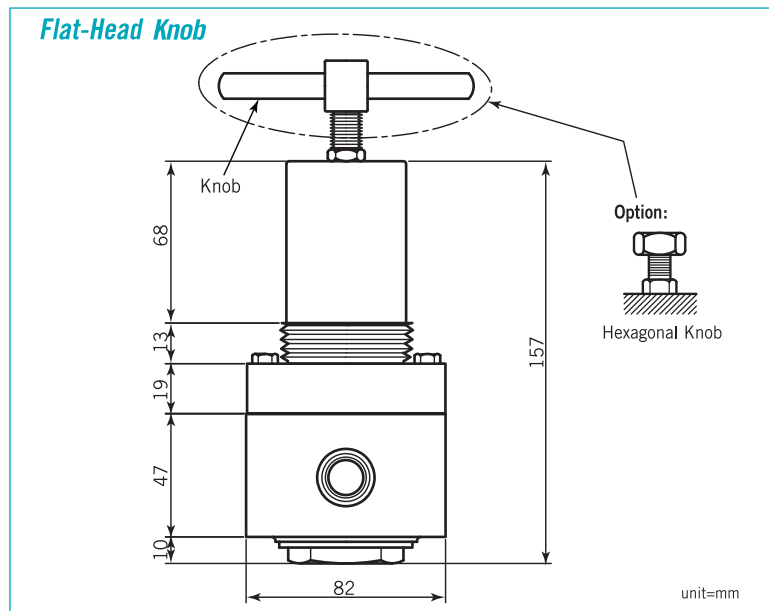
Effective flow area: 13 mm

Process connection: ¾" & 1"NPT female available

Two gauge connection ports are: ¼"NPT female

CV: 2.5

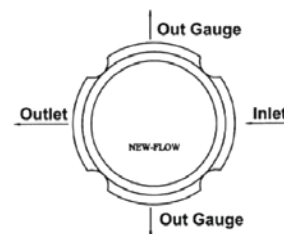
Dimensions



Approvals:

CE 1128

Standard Port Configuration



Ordering Information

PRU400	Code	Body & Knob material			
	1	316 stainless steel			
		Code	Knob type		
		A	Metal (Flat-Head)	B	Metal (Hexagonal)
		Code	Max. inlet pressure		
		1	1.5 MPa (15 kg/cm ²)		
		Code	Outlet pressure range		
		A	0.05 ~ 0.5 MPa (0.5~5 kg/cm ²)		
		B	0.2 ~ 1 MPa (2~10 kg/cm ²)		
		Code	Process Connection Size		
		A	¾"NPT female	B	1"NPT female
PRU400					Complete Ordering Code