

# VACUUM SWITCH NEMA 4, 4X, IP66 PS1000W

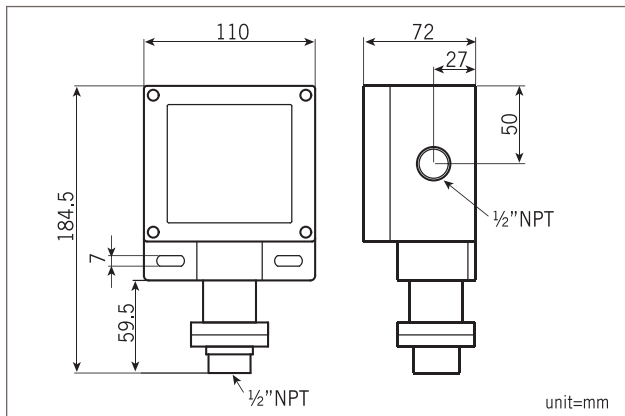
**Proof Pressure to 1000psi**  
**Adjustable Range: -25 ~ -760 mmHg**  
**Temperature: -5°C ~ +150°C**

The New-Flow PS1000W, a water proof vacuum switch, is designed to be used in control systems. PS1000W has high set point repeatability and narrow dead band features. Easily adjusted to the set point, and no special tools needed!

### Technical data

- Switch Data:** one SPDT & two SPDT Microswitch, 15amps 125/250VAC, DC 125V 0.4A, DC 30V 3A / Gold Contact Microswitch 1A 125/250VAC
- Housing:** die cast aluminum alloy with paint
- Conduit Connection:** Female 3/4", 1/2" NPT, M20 x P1.5 available
- Pressure Element:** Diaphragm
- Process Material:** Wetted parts- SS316; O-ring- Viton
- Process Connection:** Female 1/2" or 1/4" NPT, BSP, PT; and M20 x P1.5 thread available
- Repeatability:** ±1% of full scale

### Dimensions



### Patent No.

M295332  
M334932  
China: 920135

### Approvals:



WWW.NEW-FLOW.COM • TEL: 866-7-8135500 • FAX: 866-7-8225588 • Email: info@new-flow.com

PRESSURE

11Jan2017

357

### Range Table

Code	Adjustable Range	Dead Band	Maximum Pressure Proof
1R	-25 ~ -760 mmHg	10~20 mmHg	1000 psi

### Ordering Information

PS1000W	Code	Range
	1R	-25 ~ -760 mmHg
		Code    Wetted Parts Material
		A        SS316
		Code    Process Connection
		(1) 1/2" NPT (2) 1/4" NPT (3) 1/2" BSP (4) 1/4" BSP (5) 1/2" PT (6) 1/4" PT (7) M20 x P1.5
		Code    Conduit Connection
		(E) 3/4" NPT Female (F) 1/2" NPT Female, standard (G) M20 x P1.5 Female
		Code    Switch Form
		1        Micro Switch, 1 SPDT
		2        Micro Switch, 2 SPDT (one setting point)
		3a       Gold Contact, 1 SPDT
		3b       Gold Contact, 2 SPDT (one setting point)
PS1000W		
Complete Ordering Code		