

PRESSURE SWITCH NEMA 4, 4X, IP66

PS2200W

Proof Pressure to 500psi
Adjustable Ranges: 0.05~9.8psi
Temperature: -30 to 205°C

The New-Flow PS2200W, a water proof pressure switch, is designed to be used in control systems. PS2200W has high set point repeatability and narrow dead band features. There is a variety of range selections available upon request. Easily adjusted to the set point, no special tools needed!

Technical Data

Switch Data: one SPDT & two SPDT Microswitch, 15amps 125/250VAC, DC 125V 0.4A, DC 30V 3A / Gold Contact Microswitch 1A 125/250VAC
Housing: die cast aluminum alloy with paint
Conduit Connection: Female 3/4", 1/2"NPT, M20 x P1.5 available
Pressure Element: welded type diaphragm
Process Material: wetted parts are all in SS316
Process Connection: Male 1/2" or 1/4" NPT, BSP, PT; and M20xP1.5 thread available
Repeatability: ±1% of full scale



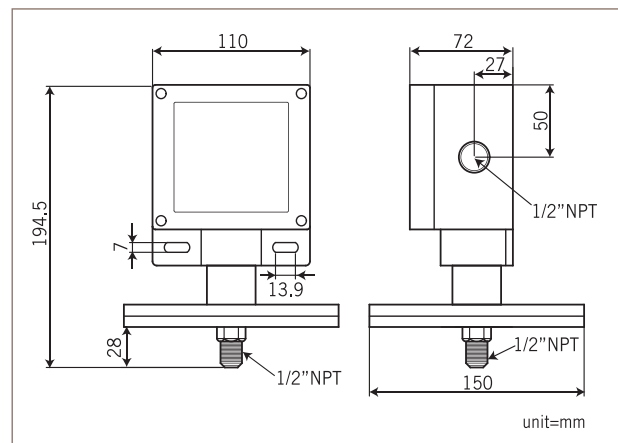
Patent No.

M295332
M334932
China: 920135

Approvals:



Dimensions



Range Selection Table

Code	Adjustable Range	Dead Band	Maximum Pressure Proof
04R	0.05~1.8 psi	0.015~0.3	500 psi
10R	0.4~2.8 psi	0.2~0.5	500 psi
20R	0.4~5.0 psi	0.3~0.6	500 psi
30R	1.6~9.8 psi	0.3~0.8	500 psi

Ordering Information

PS2200W	Code	Range							
		04R	0.05~1.8 psi	10R	0.4~2.8 psi	20R	0.4~5.0 psi	30R	1.6~9.8 psi
		Code	Wetted Parts Material						
		A	SS316						
		Code	Process Connection- Male						
			(1) 1/2"NPT (2) 1/4"NPT (3) 1/2"BSP (4) 1/4"BSP (5) 1/2"PT (6) 1/4"PT (7) M20 x P1.5						
		Code	Conduit Connection						
			(E) 3/4"NPT Female (F) 1/2"NPT Female, standard (G) M20 x P1.5 Female						
		Code	Switch Form						
		1	Micro Switch, 1 SPDT						
	2	Micro Switch, 2 SPDT (one setting point)							
	3a	Gold Contact, 1 SPDT							
	3b	Gold Contact, 2 SPDT (one setting point)							
PS2200W									Complete Ordering Code