

PRESSURE SWITCH NEMA 4, 4X, IP66 PSA2000W



Approvals:



Patent No.

M295332
M334932
China: 920135

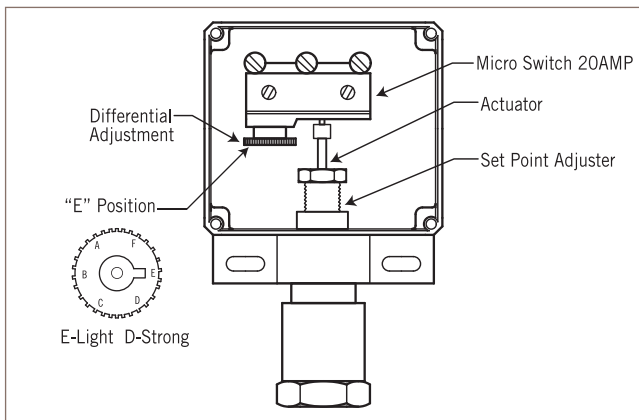
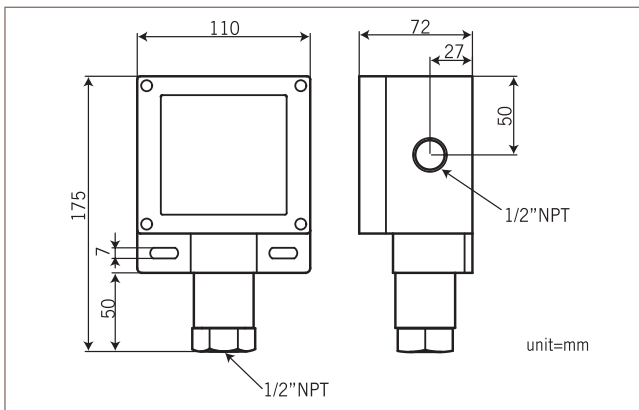
Proof Pressure to 3000psi
Adjustable Ranges: 10~1300psi
Temperature: -30 to 205°C
Dead Band: Adjustable

The New-Flow PSA2000W, a water proof pressure switch, is designed to be used in control systems. PSA2000W has high set point repeatability and adjustable dead band features. There are a variety of range selections available upon request. Easily adjusted to the set point, no special tools needed!

Technical Data

Switch Data: 20Amp @125, 250 or 480VAC; 5Amp, DC125V
Housing: die cast aluminum alloy with paint
Conduit Connection: Female 3/4", 1/2"NPT, M20 x P1.5 available
Pressure Element: welded type diaphragm
Process Material: wetted parts are all in SS316
Process Connection: Female 1/2" or 1/4" NPT, BSP, PT; and M20xP1.5 thread available

Dimensions



Range Selection Table

Code	Pressure Range	Adjustable Dead Band at "E" Position	Maximum Pressure Proof
10R	10~100 psi	10~25	3000 psi
20R	35~200 psi	12~30	3000 psi
30R	50~300 psi	28~50	3000 psi
60R	100~600 psi	28~60	3000 psi
130R	200~1300 psi	42~100	3000 psi

Ordering Information

PSA2000W	Code	Range							
		10R	10~100 psi	20R	35~200 psi	30R	50~300 psi	60R	100~600 psi
		130R	200~1300 psi						
		Code	Wetted Parts Material						
		A	SS316						
		Code	Process Connection- Female						
			(1) 1/2" NPT (2) 1/4" NPT (3) 1/2" BSP (4) 1/4" BSP (5) 1/2" PT (6) 1/4" PT (7) M20 x P1.5						
		Code	Conduit Connection						
			(E) 3/4" NPT Female (F) 1/2" NPT Female, standard (G) M20 x P1.5 Female						
		Code	Switch Form						
	1	One SPDT							
PSA2000W									Complete Ordering Code