

PRESSURE SWITCH NEMA 4, 4X, IP66

PSA2100W

Proof Pressure to 1000psi
Adjustable Ranges: 2~100psi
Temperature: -30 to 205°C
Dead Band: Adjustable

The New-Flow PSA2100W, a water proof pressure switch, is designed to be used in control systems. PSA2100W has high set point repeatability and adjustable dead band features. There are a variety of range selections available upon request. Easily adjusted to the set point, no special tools needed!

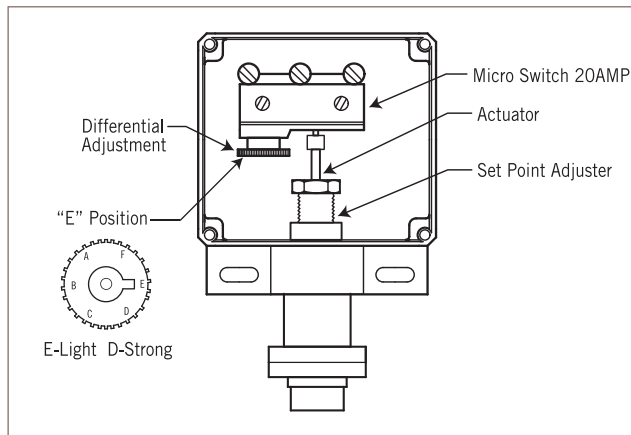
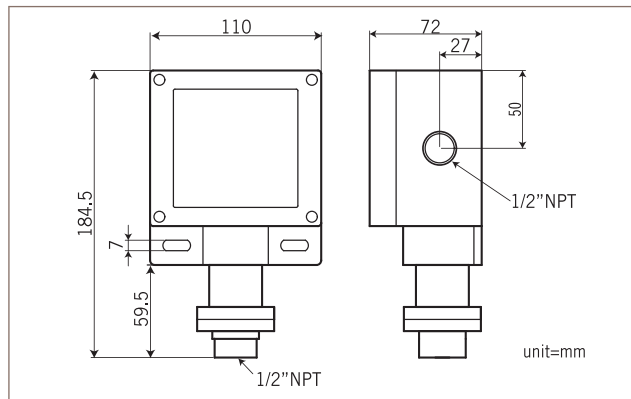


Approvals:

Patent No.
M295332
M334932
China: 920135

UL® Switches with UL & CSA Recognized and File No. E12252.

Dimensions



Technical Data

Switch Data: 20Amp @125, 250 or 480VAC; 5Amp, DC125V
Housing: die cast aluminum alloy with paint
Conduit Connection: Female 3/4", 1/2" NPT, M20 x P1.5 available
Pressure Element: welded type diaphragm
Process Material: wetted parts are all in SS316
Process Connection: Female 1/2" or 1/4" NPT, BSP, PT; and M20xP1.5 thread available

Range Selection Table

Code	Pressure Range	Adjustable Dead Band at "E" Position	Maximum Pressure Proof
04R	2~12 psi	1.2~3	1000 psi
10R	2~16 psi	1.6~4	1000 psi
20R	2~20 psi	2~5	1000 psi
30R	3~28 psi	2.8~7	1000 psi
40R	7~100 psi	9.9~28.4	1000 psi

Ordering Information

PSA2100W	Code	Range									
		04R	2~12 psi	10R	2~16 psi	20R	2~20 psi	30R	3~28 psi	40R	7~100 psi
		Code	Wetted Parts Material								
		A	SS316								
		Code	Process Connection- Female								
			(1) 1/2" NPT (2) 1/4" NPT (3) 1/2" BSP (4) 1/4" BSP (5) 1/2" PT (6) 1/4" PT (7) M20 x P1.5								
		Code	Conduit Connection								
			(E) 3/4" NPT Female (F) 1/2" NPT Female, standard (G) M20 x P1.5 Female								
		Code	Switch Form								
		1	One SPDT								
PSA2100W											Complete Ordering Code