

# PRESSURE SWITCH FOR LIQUID LEVEL CONTROLLER NEMA 4, 4X, IP66 PSA2200W

The New-Flow PSA2200W, a water proof pressure switch for liquid level controller, is designed to be used in level systems. PSA2200W has high set point repeatability and adjustable dead band features. Easily adjusted to the set point, no special tools needed!

## Technical Data

- Switch Data:** one SPDT microswitch, 20Amps 125/250V; 5Amps DC125V
- Housing:** die cast aluminum alloy with paint
- Housing Enclosure:** NEMA 4, 4X, IP66
- Conduit Connection:** Female 3/4", 1/2" NPT, M20 x P1.5 available
- Pressure Element:** Diaphragm type
- Proof Pressure:** 500 psi
- Temperature:** -30 to 205°C
- Process Materials:** wetted parts are all in SS316
- Process Connection:** Male G1 (1" BSP); and Female 1/2" or 1/4" NPT, BSP, PT, and M20xP1.5 thread available (Detected pipe size 1/2", Length 0.2~5 meters)
- Control Functions:** Please refer to the "Level Length Table". Select type: Nob A, B, C, E, F are available for setting level length. Fix type: Section G, H, I are available for setting level length

### Approvals:



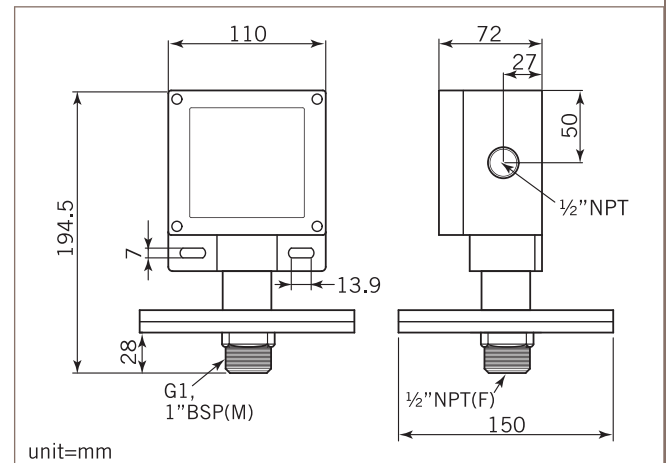
Switches with UL & CSA Recognized and File No. E12252.

### Patent No.

M295332  
M334932  
China: 920135



## Dimensions



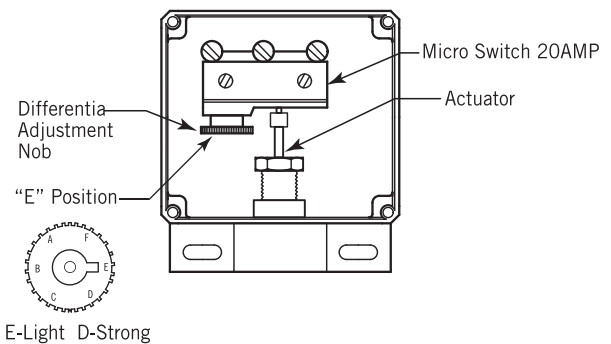
## Control Functions

### Level Length Table For Actuate & Deactuate

#### (A). Select Type

Set On Micro Switch Nob	The Length of Set Point to Actuate, Deactuate (mm)		
	Actuate (ON)	Deactuate (OFF)	
E	150	50	±5
F	200	50	±5
A	380	50	±5
B	550	50	±5
C	760	60	±5

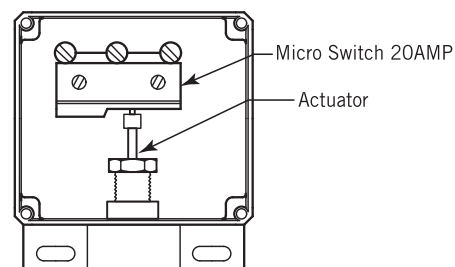
NOTE.: Nob "D" is unavailable for using.



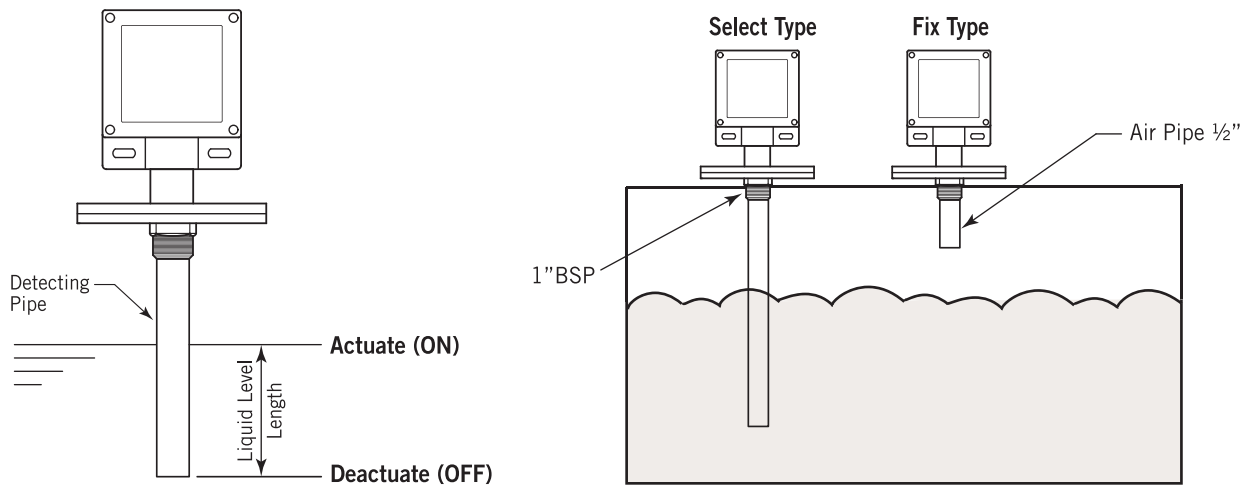
E-Light D-Strong

#### (B). Fix Type

Set Section	The Length of Set Point to Actuate, Deactuate (mm)		
	Actuate (ON)	Deactuate (OFF)	
G	60	40	±5
H	80	50	±5
I	130	80	±5

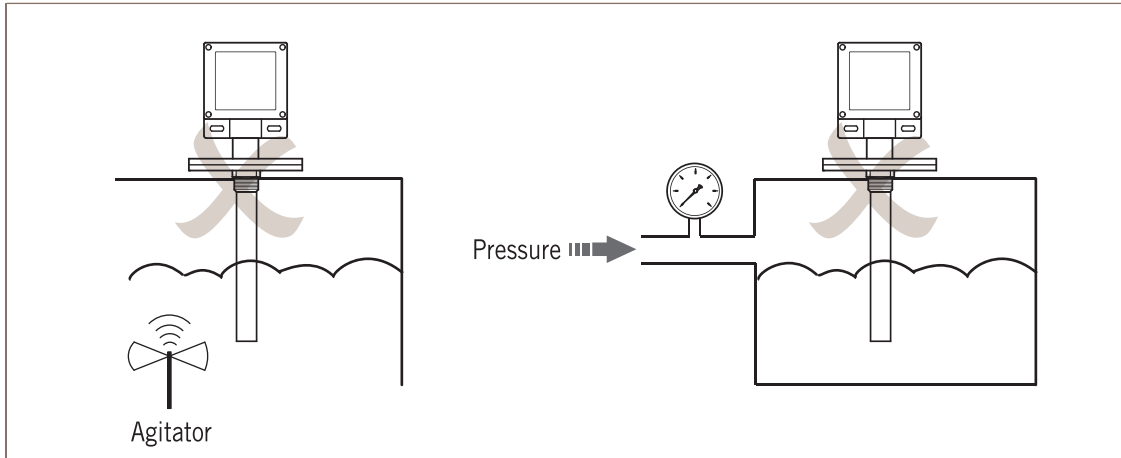


## Mounting Method



## Notice

1. Do Not locate closed by agitator or liquid inlet/outlet. The operation will be unstable.
2. Do Not install this switch on the pressurized tank.



## Ordering Information

PSA2200W	<b>Code</b>	<b>Control Function</b>	
	<b>A</b>	Select Type	<b>B</b> Fix Type
		<b>Code</b>	<b>Level Length</b>
		Please refer to the Level Length Table, and directly fill in request range code. (e.g. H)	
		<b>Code</b>	<b>Wetted Parts Material</b>
		<b>A</b>	SS316
		<b>Code</b>	<b>Process Connection</b>
		(1) male G1 (1" BSP) (2) 1/2" NPT(F) (3) 1/4" NPT(F) (4) 1/2" BSP(F) (5) 1/4" BSP(F) (6) 1/2" PT(F) (7) 1/4" PT(F) (8) M20 x P1.5(F)	
		<b>Code</b>	<b>Conduit Connection</b>
		(E) 3/4" NPT Female (F) 1/2" NPT Female, standard (G) M20 x P1.5 Female	
	<b>Code</b>	<b>Switch Form</b>	
	<b>1</b>	One SPDT	
PSA2200W [ ] [ ] [ ] [ ] [ ] [ ] Complete Ordering Code			

### Ordering Information Sample:

Model	Control Function	Level Length	Wetted Parts Material	Process Connection	Conduit Connection	Switch Form
PSA2200W	A	H	A	1	F	1