

PRESSURE TRANSMITTER

PT3100

Accuracy: $\pm 0.5\%$ FS

Protection Class: IP65

Range: -1/0 bar to 0/350 bar available

Thread and Clamp type available

EMC Protection

PT3100 is suitable for the media of fluid and gas. Several measure ranges are available for a variety of automotive, industrial and commercial applications.

Technical Data

Accuracy: $\pm 0.5\%$ of full scale

($\pm 1\%$ of full scale for -1~0 bar to 0~2.5 bar only)

Range: Please refer to the Measure Range Table

Power Supply: 11 to 30 volts DC

Output Signal: 4~20mA, 2-wires

EMC Compatibility: 80MHz ~ 1GHz

Operating Temperature: -10°C to +80°C

Conduit Connection: M12 & Mini DIN43650 Connectors, plastic

Material of Wetted Parts: SS316 or SS304L available

Process Connection: Thread ¼" NPT, ¼" PT and 3/4" Male;

Clamp 1" (ISO2852) / 25(DIN32676) and 1½" (ISO2852) / 32 (DIN32676) available

Range Table

| Code | Range | Process | | Code | Range | Process | | Code | Range | Process | |
|------|------------|---------|-------|------|-----------|---------|-------|------|-----------|---------|-------|
| | | Thread | Clamp | | | Thread | Clamp | | | Thread | Clamp |
| 0V | -1/0 bar | ✓ | ✓ | 0.2 | 0/0.2 bar | ✓ | | 10 | 0/10 bar | ✓ | ✓ |
| 2.5V | -1/2.5 bar | ✓ | ✓ | 0.6 | 0/0.6 bar | ✓ | | 16 | 0/16 bar | ✓ | ✓ |
| 4.0V | -1/4 bar | ✓ | ✓ | 1 | 0/1 bar | ✓ | ✓ | 25 | 0/25 bar | ✓ | ✓ |
| 6.0V | -1/6 bar | ✓ | ✓ | 1.6 | 0/1.6 bar | ✓ | ✓ | 40 | 0/40bar | ✓ | |
| 10V | -1/10 bar | ✓ | ✓ | 2.5 | 0/2.5 bar | ✓ | ✓ | 60 | 0/60 bar | ✓ | |
| 16V | -1/16 bar | ✓ | ✓ | 4 | 0/4 bar | ✓ | ✓ | 100 | 0/100 bar | ✓ | |
| 25V | -1/25 bar | ✓ | ✓ | 6 | 0/6 bar | ✓ | ✓ | 160 | 0/160 bar | ✓ | |

| Code | Range | Process | | Code | Range | Process | | Code | Range | Process | |
|------|-----------|---------|-------|------|-----------|---------|-------|-------|-----------|---------|-------|
| | | Thread | Clamp | | | Thread | Clamp | | | Thread | Clamp |
| 250 | 0/250 bar | ✓ | | P5 | 0/5 psi | ✓ | ✓ | P1000 | 0/1000psi | ✓ | |
| 350 | 0/350 bar | ✓ | | P15 | 0/15 psi | ✓ | ✓ | P2000 | 0/2000psi | ✓ | |
| | | | | P50 | 0/50 psi | ✓ | ✓ | P3000 | 0/3000psi | ✓ | |
| | | | | P100 | 0/100 psi | ✓ | ✓ | P5000 | 0/5000psi | ✓ | |
| | | | | P500 | 0/500 psi | ✓ | ✓ | | | | |

Over Range Protection:

- Proof pressure range are 3 times of full scale.
- Burst pressure range are 10 times of full scale.
- Response time: ≤ 1 ms

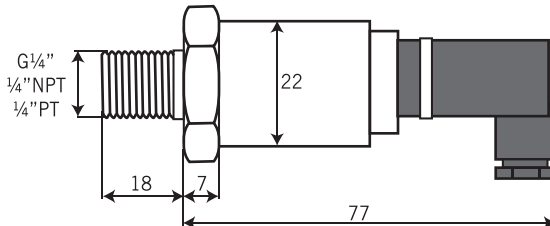
Dimensions-mm

Thread Type

Process Connection:

Male thread:

- G¼"
- ¼" NPT
- ¼" NPT, standard
- ¼" PT, standard

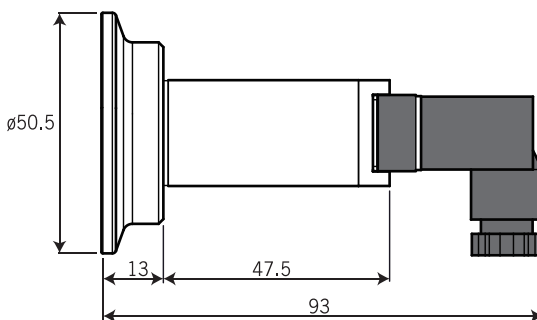


Clamp Type

Process Connection:

- ISO2852: 1" and 1½"
- DIN32676: 25 and 32

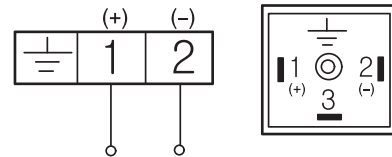
Membrane Size:
ø50.5mm



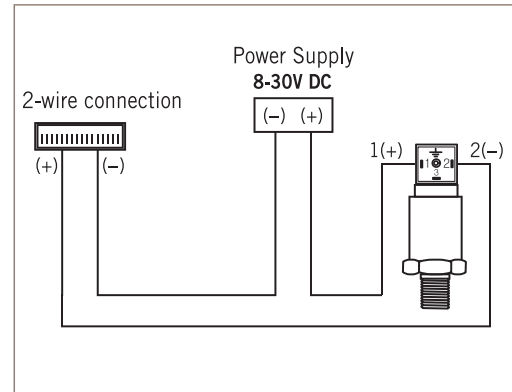
Approvals:



Connection Diagram



Connection



Ordering Information

| PT3100 | Code | Pressure Range |
|--------|------|--|
| | | Please refer to the Measure Range Table. |
| | | Code Wetted Parts Material |
| | 1 | SS316 (thread & clamp type available) |
| | 2 | SS304L (for thread type only) |
| | | Code Connection Port |
| | A | Thread G¼" (M) |
| | U | Thread ¼" NPT (M), standard |
| | P | Thread ¼" PT (M), standard |
| | C | Clamp (ø50.5mm) |
| | S | Customized |
| PT3100 | | Complete Ordering Code |

NOTE:

Performance Technical Data are effective with date of issue and are subject to change without prior notice.