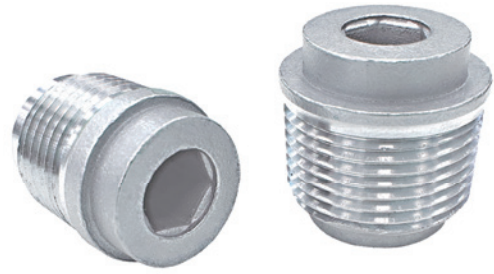


EXPLOSION PROOF TYPE HEXAGON SOCKET PLUG

PU SERIES

Explosion Proof : Ex d II Gb
Ex tb IIIC Db

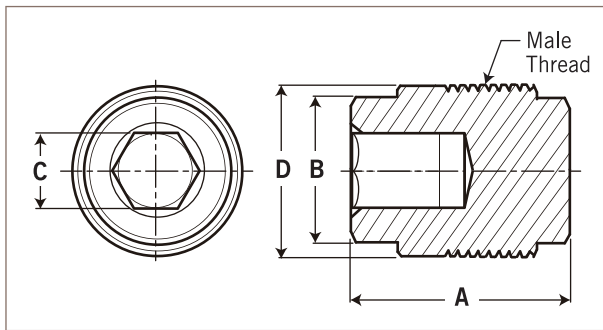


Technical Data

Connection Size: Male thread 1/2"NPT, 3/4"NPT; M20 x P1.5 and M25 x P1.5 available
Body Material: SS316L

Ordering Information & Dimensions

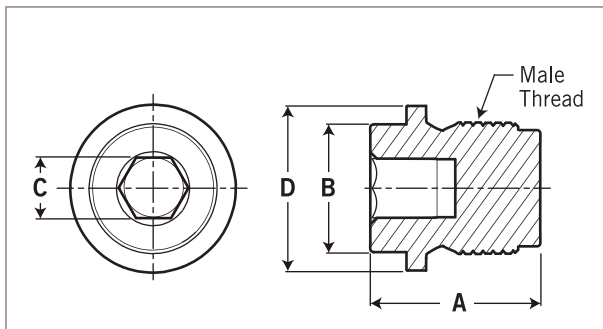
● Imperial : NPT thread



Ordering Code	Male Thread Connection Size	A	B	C	D
PU-04-NPT	1/2"NPT	25.4	19.0	9.0	22
PU-06-NPT	3/4"NPT	27.4	19.0	9.0	28

unit=mm

● Metric : ISO thread



Ordering Code	Male Thread Connection Size	A	B	C	D
PU-04-M20	M20 x P1.5	25.4	19.0	9.0	25
PU-06-M25	M25 x P1.5	27.4	19.0	9.0	30

unit=mm