

PLASTIC RELIEF VALVES

RS SERIES

Technical Data

Back pressure relief valves

Large flow rate

Material: Body-P.V.C, P.P, PVDF; Diaphragm membrane-Viton + Teflon Plate

Inlet pressure: maximum 1.035Mpa (150psi)

Adjustable range: 0.035~0.7Mpa (5~100 psi)

Working temp.: 60°C

Working fluid: Water corrosive liquid

Panel mounting available

Mounting type: Straightened on pipe line

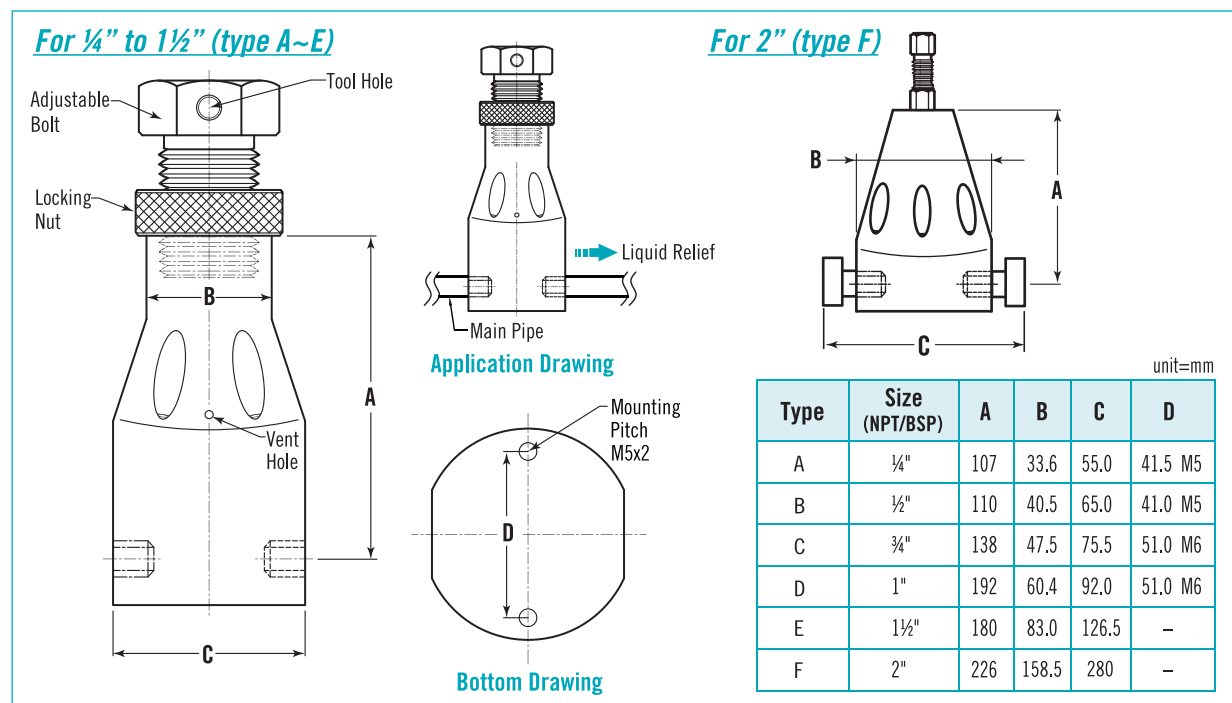
Type	Connection Size (Female)	CV
A	¼"NPT	1.0
B	½"NPT	2.0
C	¾"NPT	2.5
D	1"NPT	3.5
E	1½"NPT	4.5
F	2"NPT	5.5

*Option: BSP type available

Range Table

Code	Range
05R	5~50 PSI
50R	50~112 PSI

Dimensions



Ordering Information

RS	Code	Connection Size
		(A) ¼"NPT (B) ½"NPT (C) ¾"NPT (D) 1"NPT (E) 1½"NPT (F) 2"NPT (G) Option
	Code	Pressure Range
	05R	5~50 PSI
	50R	50~112 PSI
	Code	Material
		(1) PVC (2) PP (3) PVDF
RS		Complete Ordering Code

