

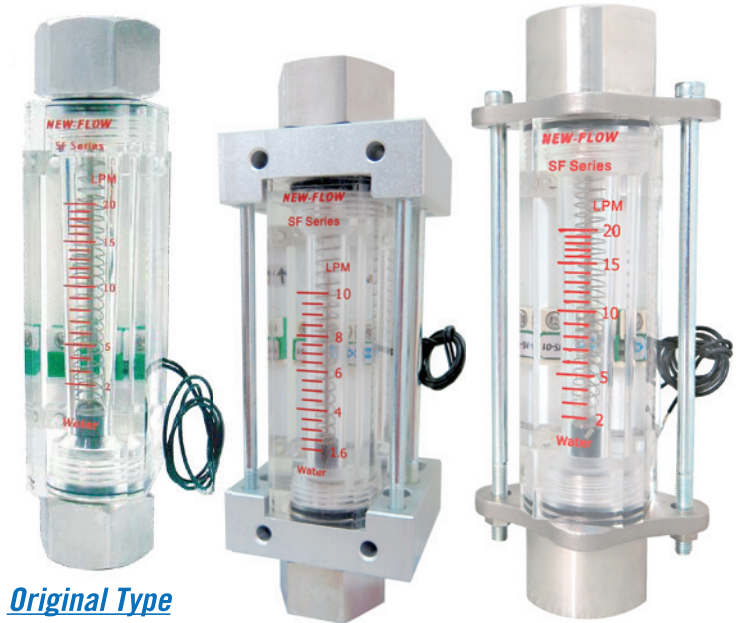
ACRYLIC PLASTIC FLOW METER – Spring Type

SF100 with alarm switch type
without alarm switch type

Technical Data

Service: Liquid, Oil
Wetted Parts Material: Body: Acrylic plastic;
 O-Ring: Viton; Float: magnet cover with PPS plastic;
 Connection: SS316; Spring: SS316
Connection Size: 3/8", 1/2", 3/4" NPT female available
Mounting: Vertical and Horizontal available, various flow directions
Temperature & Pressure Limits: 150 psig (10bar) @100°F(38°C)
Temperature Limit: -24°C~+54°C
Accuracy: ±5% full scale
Alarm Switch: One or Two setting points, form A N.O. type bistable
 reed switch
Switch Rating: AC 125V 0.5A / DC 100V 10W / Max. DC 250V<40mA
Weight: 0.45~0.5 kg
 (Contact setting point should be within 10% to 80% of FS)

Approvals:

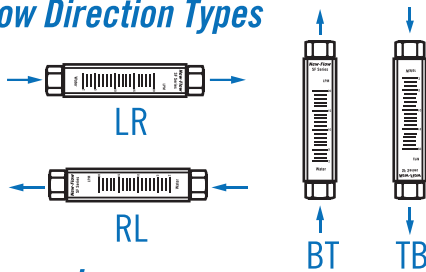


Original Type

Strong Type

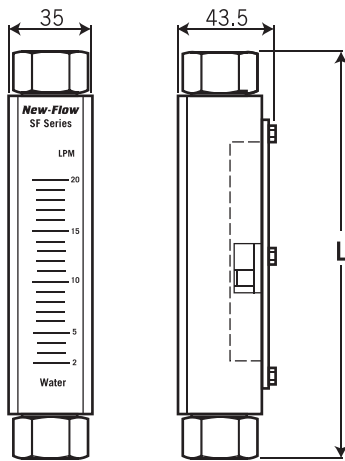
Fixed Type

Flow Direction Types



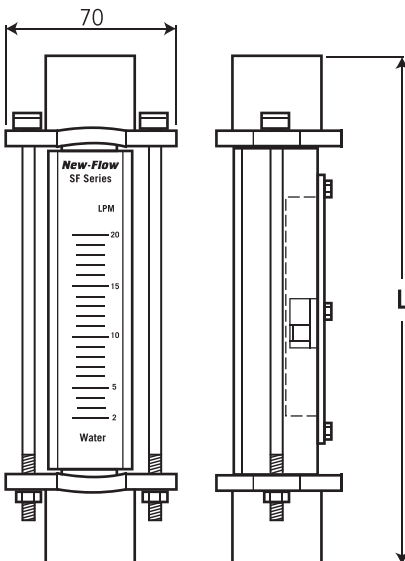
Dimensions-mm

SF-100-G: Original Type



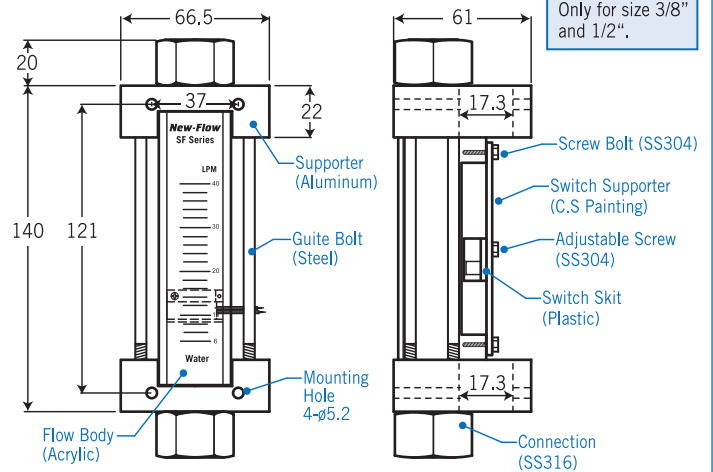
L=150mm (for 3/8")
 L=150mm (for 1/2")
 L=150mm (for 3/4")

SF-100-F: Fixed Type



L=166mm (for 3/8")
 L=166mm (for 1/2")
 L=166mm (for 3/4")

SF-100-S: Strong Type



Ordering Information

SF100	Code	Type
	G	Original Type S Strong Type F Fixed Type
	Code	Flow Range(LPM-Litter per Minute)
	A	0.6~4 LPM B 1.6~10 LPM C 2~20 LPM
	D	6~40 LPM E 3~30 LPM F 5~50 LPM
	G	6~60 LPM
	Code	Alarm Switch
	1R	One setting point 2R Two setting point
	O	Without alarm
	Code	Process Connection (Female)
	(A)	3/8"NPT (B) 1/2"NPT
	(C)	3/4"NPT
	Code	Flow Direction
	(BT)	Bottom to Top (TB) Top to Bottom
	(RL)	Right to Left (LR) Left to Right
SF100		Complete Ordering Code