

PLASTIC FLOW METER – Spring Type

SF300 with alarm switch type
without alarm switch type

Approvals:

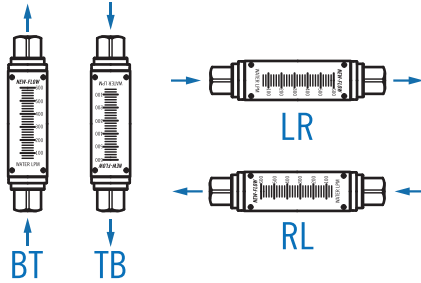


Technical Data

Service: Liquid, Oil
Wetted Parts Material:
 Body: Polycarbonate (P.C); Polysulfone (PSU) available
 O-Ring: Viton
 Float: magnet cover with PPS plastic
 Connection: SS316
 Spring: SS316
Connection Size: 3/8", 1/2", 3/4" NPT female available
Mounting: Vertical and Horizontal available, various flow directions
Max. Working Pressure Limit: 1.2 MPa (12 kg/cm²)
Max. Test Pressure: 2.0 MPa (20 kg/cm²) (water 25°C)
Max. Working Temperature Limit: -10°C to 60°C (for PC body)
 -10°C to 110°C (for PSU body)

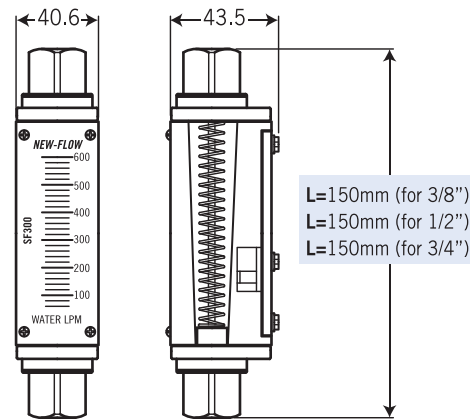
Accuracy: ±5% full scale
Alarm Switch: One or Two setting points, form A N.O. type bistable reed switch
Switch Rating: AC 125V 0.5A / DC 100V 10W / Max. DC 250V<40mA
Weight: 0.3~0.4 kg (Contact setting point should be within 10% to 80% of FS)

Flow Direction Type

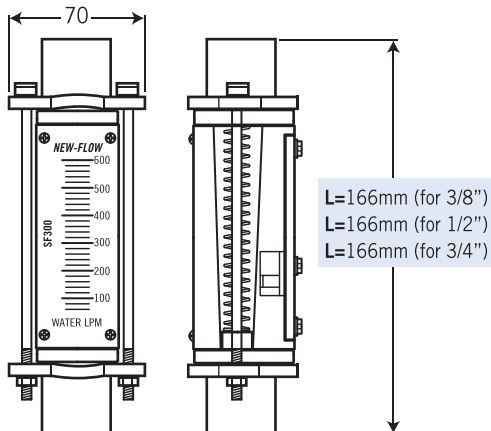


Dimensions-mm

SF-300-G: Original Type



SF-300-F: Fixed Type



Original Type

Fixed Type

Ordering Information

SF300	Code	Type		
	G	Original Type	F	Fixed Type
	Code	Flow Range (Water:LPM-Litter per Minute & GPM-GAllon (us) per Minute)		
	A	1~4 LPM	B	2~10 LPM
	D	3~30 LPM	E	4~40 LPM
	G	6~60 LPM	H	0.2~1 GPM
	J	0.5~5 GPM	I	0.5~2.5 GPM
	M	1.3~13 GPM	L	1~10 GPM
	N	1.5~15 GPM		
	Code	Alarm Switch		
	1R	One setting point		
	2R	Two setting point		
	O	Without alarm		
	Code	Body Material		
	PC	Polycarbonate	PSU	Polysulfone
	Code	Connection Material		
	1	SS316		
	Code	Process Connection (Female)		
	A	3/8"NPT		
	B	1/2"NPT		
	C	3/4"NPT		
	Code	Flow Direction		
	BT	Bottom to Top		
	TB	Top to Bottom		
	RL	Right to Left		
	LR	Left to Right		
SF300				Complete Ordering Code