

# FILLED TYPE THERMOMETERS W/MICRO SWITCH

## SHE4/SHE4-QS(Ø100) & SHE6/SHE6-QS(Ø150)

### Technical Data

**Direct Mounting**

**Liquid, Gas filled available**

**Dial Size:** Ø100, Ø150 available

**Material of Case & Cover:** 316 stainless steel

**Material of Stem:** 316 stainless steel

**Lens:** Glass, Safety glass available

**Housing Enclosure:** IP66

**Range Limit:** -200°C to 600°C

**Stem Dimensions:** Ø6, 8, 10, 12mm available

**Stem Length Limit:** 65~1000mm, option available

**Accuracy:** Gauge Indication: ±1% F.S.; Switch Acting Differential: ±1.6~3% F.S

**Process Connection:** ½"NPT standard, other available

**Over Range Protection:** 130% F.S

**Switch Form:** One setting point SPDT x 1 or Two setting point SPDT x 2

**Set Point:** Full scale range available

**Switch Data:**

	AC Load	DC Load
Nominal Operating Voltage	250 VAC max.	28 VDC max.
Current	5A max.	5A max. (ohmic load) 3A max. (inductive load)
Contact Material	Pure silver 999.9	Pure silver 999.9
Ambient Temperature	-20°C ~ +70°C	-20°C ~ +70°C



**SHE-QS**  
(Every Angle Connection)

**SHE**  
(Bottom Connection)

**Approvals:**

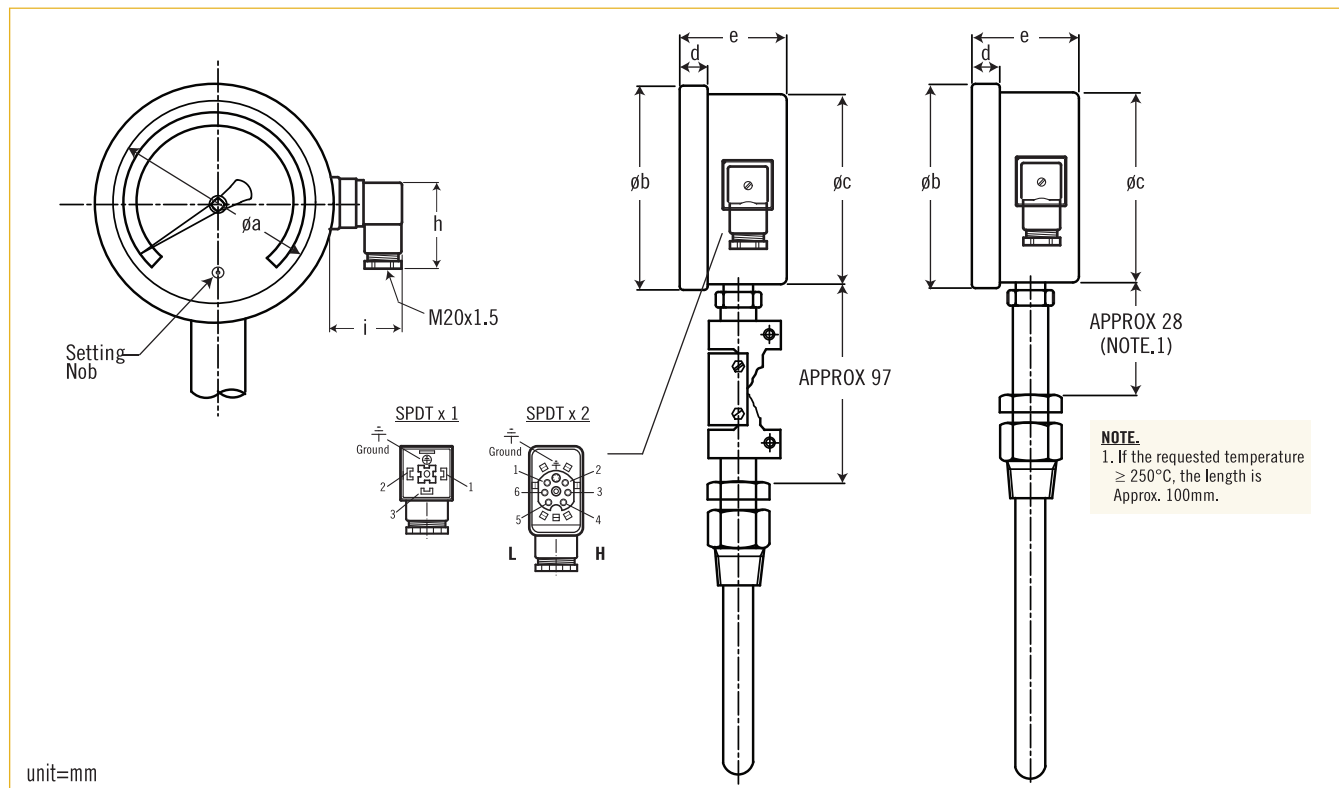


Switches with  
UL & CSA  
Recognized  
and File No.  
E12252.

**Patent No.**

M337067

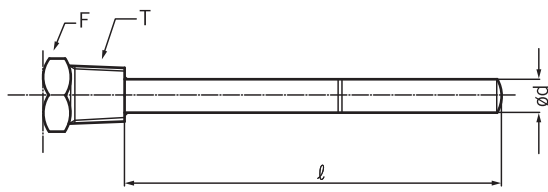
### Dimensions



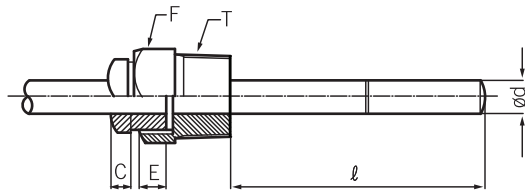
	a	b	c	d	e	Switch Form	h	i
SHE4 SHE4-QS	94	113	102	33	74	SPDT x 1	54	44
SHE6 SHE6-QS	140	165	153	34	73.5	SPDT x 2	72	51

\*Sensor bulb and connection, consult to factory .

## Connection Type

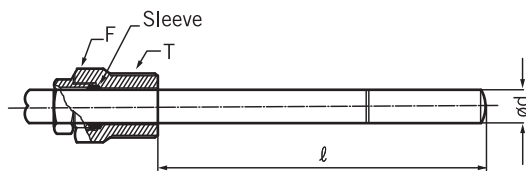


**(A) Fixed Thread Type**



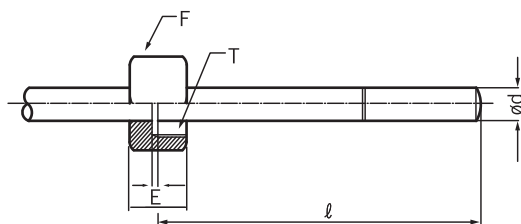
**(B) Rotary Thread Type (Male thread)**

(The male thread position is immobile, but rotation 360° available.)



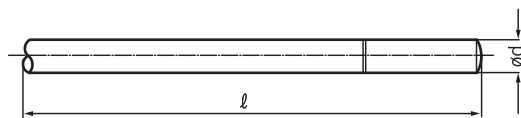
**(C) Slide Thread Type**  
(Length "l" changed available.)

(The slide threaded can be moved up and down, and the length of sensor can be adjusted by user.)



**(D) Rotary Thread Type (Female thread)**

(The female thread position is immobile, but rotation 360° available.)



**(E) Non Thread Type**

T: Process connection  
E: Stop plate for (rotary & rotation style)  
F: Hexagonal head  
l: Sensor length  
d: Sensor dimension

## Table for Range and Insertion

### Liquid Filled Type

Standard Scale Range (°C)	Minor Division (°C)		Minimum Insertion Length (mm)			
			Outer Diameter of Stem			
	ø100	ø150	ø6	ø8	ø10	ø12
-70~+50	2	2	100	70	40	30
-50~+50	1	1	120	80	50	30
-30~+50	1	1	150	100	60	40
-30~+100	2	2	100	70	40	30
-10~+50	1	1	190	130	70	50
-10~+100	2	2	110	80	50	30
0~50	1	1	230	150	80	60
0~60	1	1	190	130	70	50
0~80	1	1	150	100	60	40
0~100	1	1	120	80	50	30
0~120	2	2	100	70	40	30
0~150	2	2	80	60	40	30
0~200	2	2	70	50	30	20
0~250	5	5	60	40	30	20
0~300	5	5	50	40	30	20
0~400	5	5	40	30	20	20

### Gas Filled Type

Standard Scale Range (°C)	Minor Division (°C)	
	ø100	ø150
-200~+200	5	5
-100~+300	5	5
-50~+400	5	5
-50~+500	10	10
-50~+600	10	10
0~400	5	5
0~500	10	10
0~600	10	10

### Minimum Stem Length

mm	ød	ø10	ø12
Minimum Length		140	90

### OPTION.

- Please note the minimum insertion length is not including the thread.
- Special Range / Scale / Stem Diameter / Length are available upon request.

