

# FLOAT TYPE LIQUID LEVEL CONTROLS

**SLS SERIES** SLS-1: One Float Point; DIN43650 (PG9)  
SLS-2: Two Float Points; Universal Connector SV-1 (M20 x 1.5)

– Quality Products – Vertical Mounted

## Technical Data

**Connection Thread & Wetted Parts Material:** Guide tube: SS316; Float: P.P, PVDF, or SS316

**Connection Type:** Sanitary, PT, NPT, BSP; option available

**Connection Size:** 1" for max.  $\varnothing$ 26mm float; 1¼" for max.  $\varnothing$ 28mm float;  
1½" for max.  $\varnothing$ 40mm float; 2" for max.  $\varnothing$ 49mm float

**Limited Working Pressure:** please refer to the float specification

**Limited Working Temperature:** please refer to the float specification

**Switch Mode:** SPDT

**Setting Point:** One float point or Two float points

**Switch Rating:**

| Item Code               | 15                                                                                               | 36                       |
|-------------------------|--------------------------------------------------------------------------------------------------|--------------------------|
| Contact Form            | C (SPDT)                                                                                         | C (SPDT)                 |
| Switching Capacity Max. | 60 WVA                                                                                           | 20 WVA                   |
| Switching Voltage Max.  | 250V AC/DC                                                                                       | 150V AC/DC               |
| Switching Current Max.  | 1A                                                                                               | 1A                       |
| Carrying Current Max.   | 2A                                                                                               | 2A                       |
| Working Temperature     | -20°C ~ +130°C                                                                                   | -20°C ~ +130°C           |
| Suitable Float Size     | float size $\geq$ $\varnothing$ 49 available<br>Except<br>$\varnothing$ 49: 1 setting point only | all float size available |

## Housing Model:

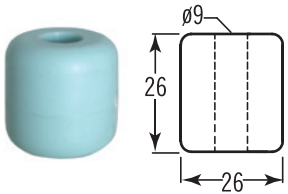
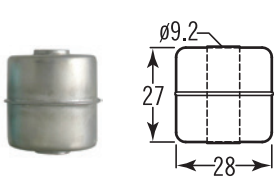
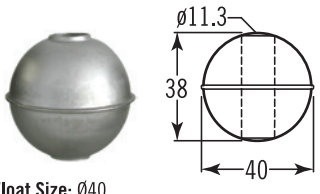
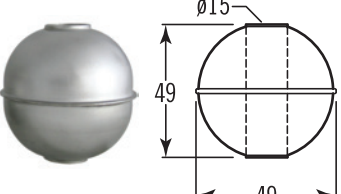
### • DIN 43650 •

- According to EN 175301-803 for 3 poles
- For using One float point only
- IP65 (EN 60529)
- Cable Gland: PG9
- Suitable for connection size 1" to 2"

### • SV-1 (Universal Connector) •

- According to EN 175201-804 for 6 poles
- For using Two float point only
- IP65 (IEC 529)
- Cable Gland: M20 x 1.5
- Suitable for connection size 1¼" to 2"

## Float Specification

| $\varnothing$ 26x26mm (P.P)                                                                                                                                                                                                                                                                                                                     | $\varnothing$ 28x27mm (SUS316)                                                                                                                                                                                                                                                                                                                  |
|-------------------------------------------------------------------------------------------------------------------------------------------------------------------------------------------------------------------------------------------------------------------------------------------------------------------------------------------------|-------------------------------------------------------------------------------------------------------------------------------------------------------------------------------------------------------------------------------------------------------------------------------------------------------------------------------------------------|
|  <p>Float Size: <math>\varnothing</math>26<br/>Max. Working Pressure: 3 kg/cm<sup>2</sup><br/>Working S.G.: <math>\geq</math>0.7<br/>The Guide Tube Size: <math>\varnothing</math>8<br/>Material: P.P<br/>Limited Operating Temperature: 0~60°C</p>          |  <p>Float Size: <math>\varnothing</math>28<br/>Max. Working Pressure: 15 kg/cm<sup>2</sup><br/>Working S.G.: <math>\geq</math>0.8<br/>The Guide Tube Size: <math>\varnothing</math>8<br/>Material: SUS316<br/>Limited Operating Temperature: -20~140°C</p>   |
| $\varnothing$ 40x38mm (SUS316)                                                                                                                                                                                                                                                                                                                  | $\varnothing$ 49x49mm (SUS316)                                                                                                                                                                                                                                                                                                                  |
|  <p>Float Size: <math>\varnothing</math>40<br/>Max. Working Pressure: 30 kg/cm<sup>2</sup><br/>Working S.G.: <math>\geq</math>0.8<br/>The Guide Tube Size: <math>\varnothing</math>9.5<br/>Material: SUS316<br/>Limited Operating Temperature: -20~140°C</p> |  <p>Float Size: <math>\varnothing</math>49<br/>Max. Working Pressure: 30 kg/cm<sup>2</sup><br/>Working S.G.: <math>\geq</math>0.68<br/>The Guide Tube Size: <math>\varnothing</math>12<br/>Material: SUS316<br/>Limited Operating Temperature: -20~140°C</p> |

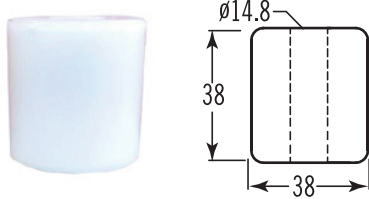
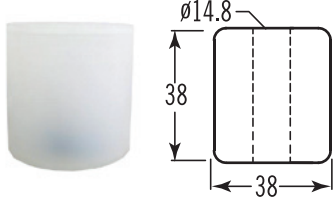
## Approvals:



Thread connection Type

Sanitary Connection Type

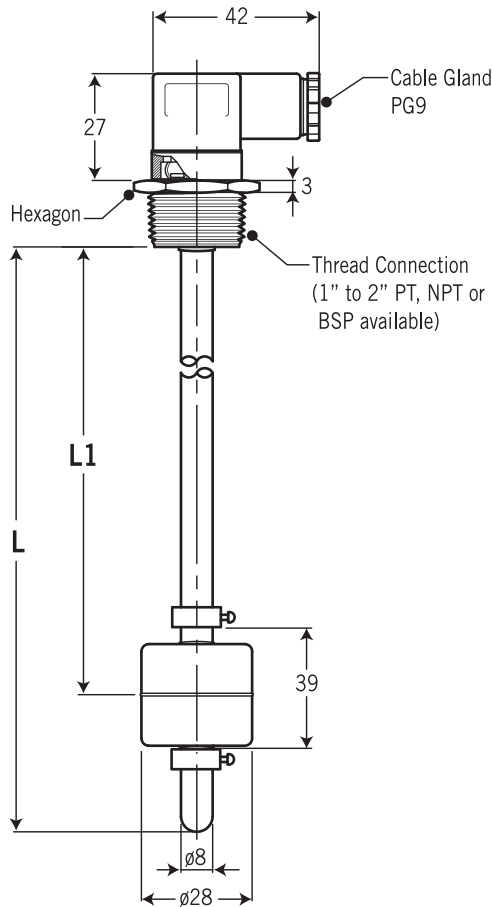
### Float Specification

| ø 38x38mm (P.P)                                                                                                                                                                                                                                                                                                                          | ø 38x38mm (PVDF)                                                                                                                                                                                                                                                                                                                            |
|------------------------------------------------------------------------------------------------------------------------------------------------------------------------------------------------------------------------------------------------------------------------------------------------------------------------------------------|---------------------------------------------------------------------------------------------------------------------------------------------------------------------------------------------------------------------------------------------------------------------------------------------------------------------------------------------|
|  <p> <b>Float Size:</b> ø38<br/> <b>Max. Working Pressure:</b> 3 kg/cm<sup>2</sup><br/> <b>Working S.G.:</b> ≥0.7<br/> <b>The Guide Tube Size:</b> ø12<br/> <b>Material:</b> P.P<br/> <b>Limited Operating Temperature:</b> 0~60°C                 </p> |  <p> <b>Float Size:</b> ø38<br/> <b>Max. Working Pressure:</b> 5 kg/cm<sup>2</sup><br/> <b>Working S.G.:</b> ≥0.7<br/> <b>The Guide Tube Size:</b> ø12<br/> <b>Material:</b> PVDF<br/> <b>Limited Operating Temperature:</b> 0~120°C                 </p> |

### Dimensions-mm

#### Model: SLS-1A (Thread Type)

- **Housing:** DIN 43650
- **Cable Gland:** PG9
- **Switch:** SPDT x 1 (3 poles)
- **L1=** Please specific by customer; (L= max. 2 Meters)

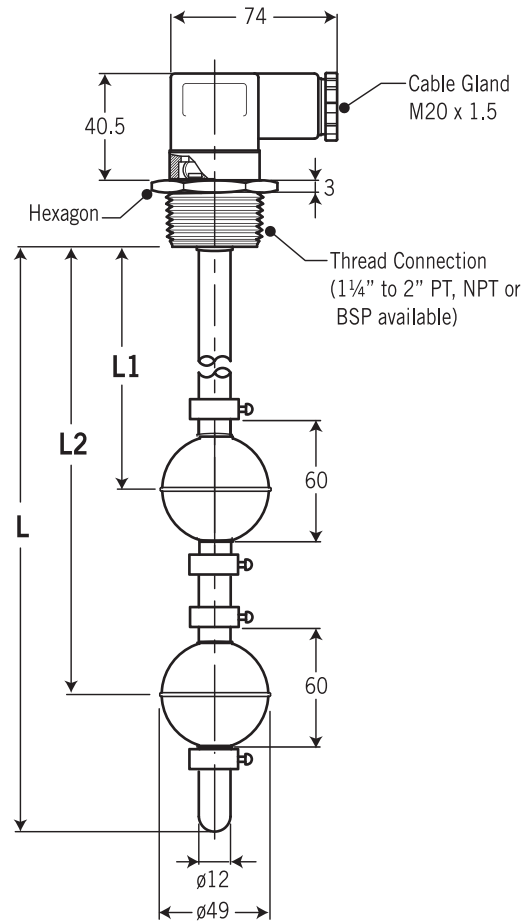


**NOTICE:**

Thread Connection Size / Max. Float Size  
 1" / max. ø26mm float  
 1¼" / max. ø28mm float  
 1½" / max. ø40mm float  
 2" / max. ø49mm float

#### Model: SLS-2A (Thread Type)

- **Housing:** SV-1 (Universal Connector)
- **Cable Gland:** M20 x 1.5
- **Switch:** SPDT x 2 (6 poles)
- **L1 & L2=** Please specific by customer; (L= max. 2 Meters)



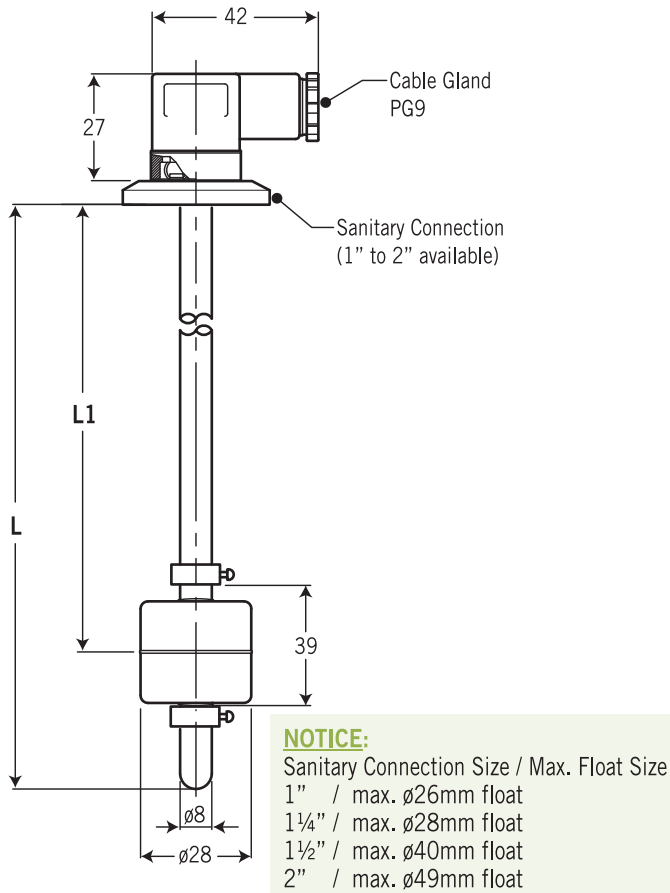
**NOTICE:**

Thread Connection Size / Max. Float Size  
 1¼" / max. ø28mm float  
 1½" / max. ø40mm float  
 2" / max. ø49mm float

Dimensions-mm

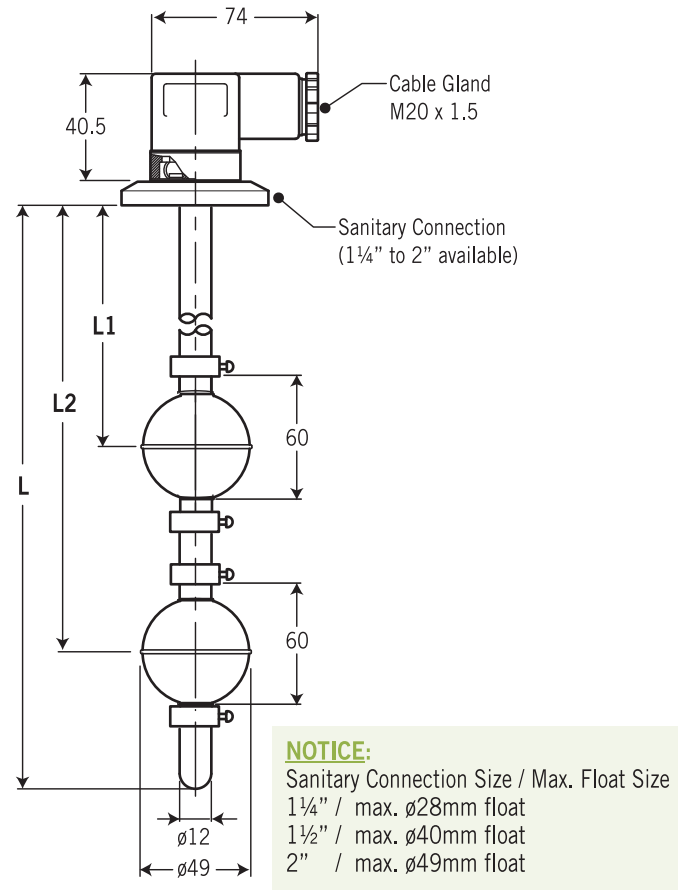
**Model: SLS-1B (Sanitary Type)**

- **Housing:** DIN 43650
- **Cable Gland:** PG9
- **Switch:** SPDT x 1 (3 poles)
- **L1=** Please specific by customer; (L= max. 2 Meters)



**Model: SLS-2B (Sanitary Type)**

- **Housing:** SV-1 (Universal Connector)
- **Cable Gland:** M20 x 1.5
- **Switch:** SPDT x 2 (6 poles)
- **L1 & L2=** Please specific by customer; (L= max. 2 Meters)



Ordering Information

| SLS                           | Code        | Model / Switch Point / Housing / Cable Gland                                                         |
|-------------------------------|-------------|------------------------------------------------------------------------------------------------------|
|                               | 1A          | Thread Type / One Float Point / DIN 43650 / PG9                                                      |
|                               | 1B          | Sanitary Type / One Float Point / DIN 43650 / PG9                                                    |
|                               | 2A          | Thread Type / Two Float Points / SV-1 (Universal Connector) / M20 x 1.5                              |
|                               | 2B          | Sanitary Type / Two Float Points / SV-1 (Universal Connector) / M20 x 1.5                            |
|                               | <b>Code</b> | <b>Process Connection Size + Float Size/Material</b>                                                 |
|                               | 1           | 1" + (A) (A) $\varnothing$ 26 x 26mm / P.P                                                           |
|                               | 2           | 1¼" + (A) or (B) (B) $\varnothing$ 28 x 27mm / SS316                                                 |
|                               | 3           | 1½" + (A) or (B) or (C) or (E) or (F) (C) $\varnothing$ 40 x 38mm / SS316                            |
|                               | 4           | 2" + (A) or (B) or (C) or (D) or (E) or (F) (D) $\varnothing$ 49 x 49mm / SS316                      |
|                               |             | (E) $\varnothing$ 38 x 38mm / P.P                                                                    |
|                               |             | (F) $\varnothing$ 38 x 38mm / PVDF                                                                   |
|                               | <b>Code</b> | <b>Process Connection Type</b>                                                                       |
|                               | A           | NPT                                                                                                  |
|                               | B           | BSP                                                                                                  |
|                               | C           | Sanitary                                                                                             |
|                               | <b>Code</b> | <b>Contact Form (*please refer to the switch rating to consider about the suitable float size*)</b>  |
|                               |             | (1) SPDT (250V AC/DC) (2) SPDT (150V AC/DC)                                                          |
|                               | <b>Code</b> | <b>Total Insertion Length</b>                                                                        |
|                               |             | L= _____mm                                                                                           |
|                               | <b>Code</b> | <b>Setting Point &amp; Switch ACTing Functions</b>                                                   |
|                               |             | Please fill in the requested length and float rised ↑ON or fall down ↓ON.<br>L1= _____mm L2= _____mm |
| SLS                           | 2A          | 2(B)                                                                                                 |
|                               | A           | 1                                                                                                    |
|                               | 200         | 120                                                                                                  |
| <b>Complete Ordering Code</b> |             |                                                                                                      |