

FILLED TYPE THERMOMETERS W/MICRO SWITCH

SME4/SAE4(Ø100) & SME6/SAE6(Ø150)

Technical Data

Remote Mounting Type

Material of Case & Cover: 316 Stainless Steel, option available

Material of Sensor Bulb Capillary Tube, Flex Tube:

SS304, SS316, and others available

Lens: Glass, safety glass available

Range Limit: -200 ~ +600°C, option available

Housing Enclosure: IP66

Accuracy: Gauge Indication: ±1% F.S; Switch Acting Differential: ±1.6~3% F.S

Capillary Tube Length Limited: Liquid filled type: 10M;

Gas filled type: max. 50M; option available

Stem Dimensions: ø6, 8, 10, 12mm available

Process Connection: ½" NPT standard; other available

Over Range Protection: 130% F.S.

Switch Form: One setting point SPDT x 1 or Two setting point SPDT x 2

Set Point: Full scale range available

Switch Data:

	AC Load	DC Load
Nominal Operating Voltage	250 VAC max.	28 VDC max.
Current	5A max.	5A max. (ohmic load) 3A max. (inductive load)
Contact Material	Pure silver 999.9	Pure silver 999.9
Ambient Temperature	-20°C ~ +70°C	-20°C ~ +70°C

SAE
(Panel Mounting)



SME
(Wall Mounting)

Patent No.

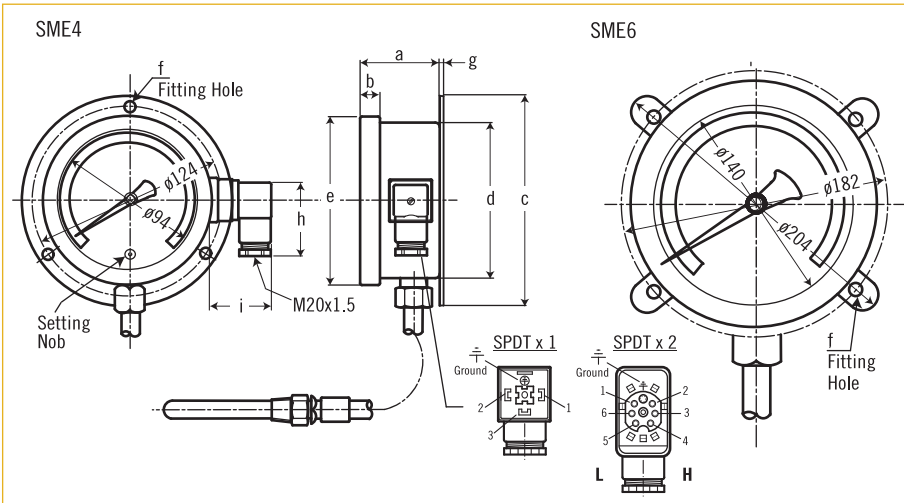
M337067

Approvals:



Switches with UL & CSA Recognized and File No. E12252.

Dimensions

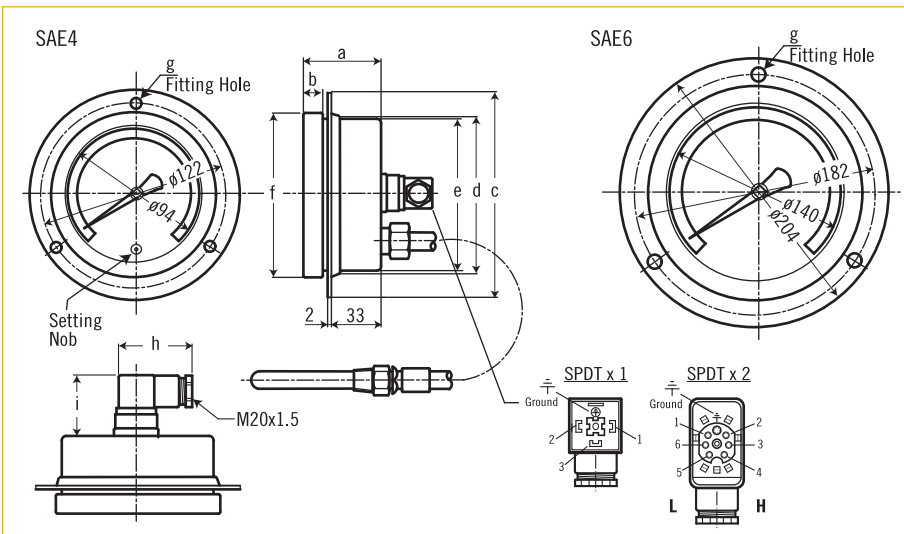


Symbol	a	b	c	d	e	f	g
Model SME4	70	33	138	102	113	3-ø5.5	9
Model SME6	73.5	34	204	153	165	4-ø8.0	2

Switch Form	h	i
SPDT x 1	54	44
SPDT x 2	72	51

*Sensor bulb and connection consult to factory.
*Remote capillary length: Maximum length 50M

unit=mm



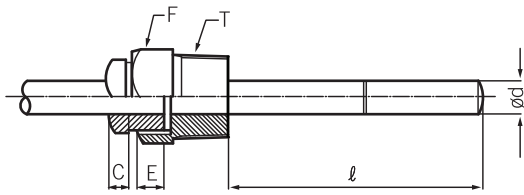
Symbol	a	b	c	d	e	f	g
Model SAE4	74	33	134	107	102	113	3-ø5.5
Model SAE6	73.5	34	204	153	153	165	3-ø7.0

Switch Form	h	i
SPDT x 1	54	44
SPDT x 2	72	51

*Sensor bulb and connection consult to factory.
*Remote capillary length: Maximum length 50M

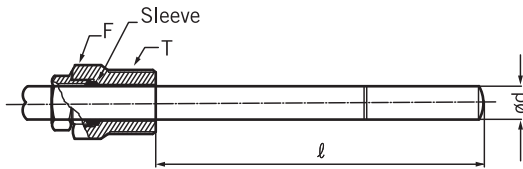
unit=mm

Connection Type



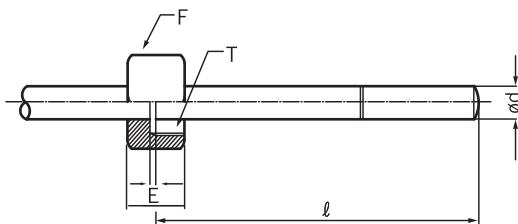
(A) Rotary Thread Type (Male thread)

(The male thread position is immobile, but rotation 360° available.)



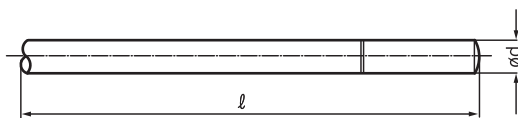
**(B) Slide Thread Type
(Length "l" changed available.)**

(The slide thread can be moved up and down, and the length of sensor can be adjusted by user.)



(C) Rotary Thread Type (Female thread)

(The female thread position is immobile, but rotation 360° available.)



(D) Non Thread Type

T: Process connection
E: Stop plate for (rotary & rotation style)
F: Hexagonal head
l: Sensor length
d: Sensor dimension

Table for Range and Insertion

Standard Scale Range (°C)	Minor Division (°C)		Minimum Insertion Length (mm)			
			Outer Diameter of Stem			
	ø100	ø150	ø6	ø8	ø10	ø12
-70~+50	2	2	100	70	40	30
-50~+50	1	1	120	80	50	30
-30~+50	1	1	150	100	60	40
-30~+100	2	2	100	70	40	30
-10~+50	1	1	190	130	70	50
-10~+100	2	2	110	80	50	30
0~50	1	1	230	150	80	60
0~60	1	1	190	130	70	50
0~80	1	1	150	100	60	40
0~100	1	1	120	80	50	30
0~120	2	2	100	70	40	30
0~150	2	2	80	60	40	30
0~200	2	2	70	50	30	20
0~250	5	5	60	40	30	20
0~300	5	5	50	40	30	20
0~400	5	5	40	30	20	20

Standard Scale Range (°C)	Minor Division (°C)	
	ø100	ø150
-200~+200	5	5
-100~+300	5	5
-50~+400	5	5
-50~+500	10	10
-50~+600	10	10
0~400	5	5
0~500	10	10
0~600	10	10

Minimum Stem Length		
mm	ød	
Minimum Length	ø10	ø12
	140	90

OPTION.

1. Please note the minimum insertion length is not including the thread.
2. Special Range / Scale / Stem Diameter / Length are available upon request.

Ordering Information

Model	SME4 (ø100)	SME6 (ø150)	SAE4 (ø100)	SAE6 (ø150)
Code	Lens Material			
G	Glass	S	Safety Glass	
Code	Connection Type			
A	Rotary Thread Type	C	Female Thread Type	0 Option
B	Slide Thread Type	D	Non Thread Type	
Code	Capillary Length			
	Please fill in the requested length. (e.g. 3M)			
Code	Stem Diameter			
	(1) ø6 (2) ø8 (3)ø10 (4)ø12			
Code	Stem Length			
	Refer to the Table for Range and Insertion, directly fill in request length(mm)			
Code	Process Connection			
	(A) 3/8"NPT (B) 1/2"NPT (C) 1/4"NPT			
	(D) 3/8"PF (E) 1/2"PF (F) 1/4"PF (O) Option			
Code	Scale Range			
	Refer to the Scale Range Table. Fill in the request range.			
Code	Micro Switch			
1	One setting point SPDT x 1			
2	Two setting point SPDT x 2			

										Complete ordering code
--	--	--	--	--	--	--	--	--	--	------------------------

Ordering information Sample:

Model	Lens Material	Connection Type	Capillary Length	Stem Diameter	Stem Length	Process Connection	Scale Range	Micro Switch
SME4	S	A	3M	ø6	100mm	B	0-100°C	1