

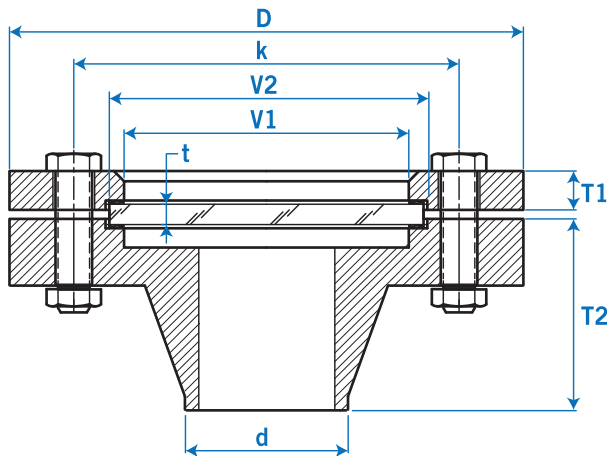
SIGHT GLASS SOG SERIES-100

**Weld-In for Tank, Pipe, and Vessel
Low Pressure System Used
Working with Fluid and Gas Available**

Technical Data

Size: 1½"~8" available
Rating: ANSI 150#, ANSI 300#, PN10 and PN16 available
Pressure Limited: Up to 16 Bar(Kg/cm²) @25°C water; depending on request size
Temperature Limited: Up to 280°C
Material: Wetted Parts & Body- SS304, SS316 and Others on request;
 Sight Glass- Transparent Tempered Glass; Bolt- SS304 and Others on request;
 Gasket- Non-Asbestos, and Others on request

Dimensions



NOTE.
 (*) For size 5"~8":
 Pressure limit can be 16 bar as
 the tempered glass thickness (t)
 is 30mm.

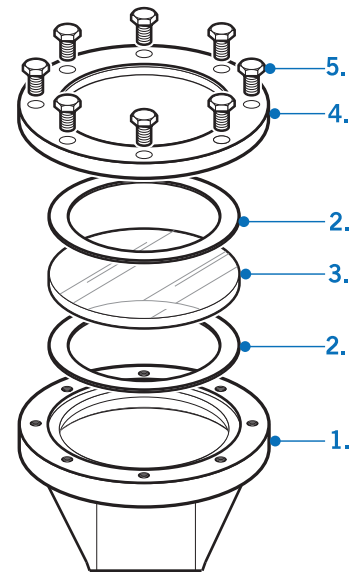
unit=mm

Size (inch)	1½"	2"	2½"	3"	4"	5"	6"	8"
Pressure Limit (bar)	16	16	16	16	16	10/16(*)	10/16(*)	10/16(*)
V1 (Visible Diameter)	DN40	DN50	DN65	DN80	DN100	DN125	DN150	DN200
V2 (Visible Diameter)	73	92.1	104.8	127.0	157.2	185.7	215.9	269.9
t (Tempered Glass Thickness)	12	12	16	16	25	25/30(*)	25/30(*)	25/30(*)
Glass	70	80	100	110	140	163.4	195	245
D (Flanges O.D)	127	152.4	177.8	190.5	228.6	254	279.4	342.9
d	48.3	60.5	73.2	88.9	114.3	141.2	168.4	219.2
k	80	120	146	177	203	229	277	365
T1	17.5	19.1	22.3	23.9	23.9	23.9	25.4	28.6
T2	61.9	63.5	69.9	69.9	76.2	88.9	88.9	101.6
Bolts No.	4	4	4	4	8	8	8	8
Bolts Size	M12	M12	M12	M12	M12	M12	M12	M12
Bolts Length	30	30	30	30	35	35/45	35/45	40/45

Approvals:



Parts List



Item	Part Name
1.	Body (Flange)
2.	Gasket
3.	Tempered Glass
4.	Cover
5.	Bolt

Ordering Information

SOG	Code	Type
		100
	Code	Body Material
	1	SS304 2 SS316 3 Option
	Code	Size
		(A) 1½" (B) 2" (C) 2½" (D) 3" (E) 4" (F) 5" (G) 6" (H) 8"
	Code	Flange Rating
		(1) 150#RF (2) 300#RF (3) PN10 (4) PN16 (5) Other
SOG		Complete Ordering Code